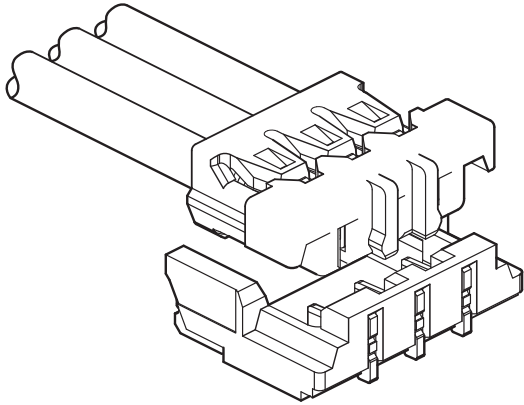


ADH CONNECTOR

1.3 mm pitch/Wire-to-Board connectors/Crimp style and Mating style



This is a 1.3 mm pitch, crimp style connector for wire-to-board connections. It features a compact, low profile design with a depth of 4.3 mm and a mounting height of 1.9 mm.

- Compact, low-profile and space-saving
- Top-entry header with side feed cable connector

The mating direction runs vertical into the top-entry header while the cable connector runs parallel to the board surface.

- Also suitable for high current applications with max. 3 A current-carrying capacity.

■ Specifications

- Current rating: 3 A AC/DC
(Apply 1 A AC/DC for the 3rd circuit of 5-circuit.)
(AWG #26)
- Voltage rating: 30 V AC/DC
- Temperature range: -25°C to +85°C
(including temperature rise in applying electrical current)
- Contact resistance:
Initial value/ 20 mΩ max.
After environmental tests/ 30 mΩ max.
- Insulation resistance: 100 MΩ min.
- Withstanding voltage:
There shall be no breakdown or flashover while applying 500 VAC for one minute.
- Applicable wire range:
Conductor size/ AWG #28, AWG #26
Insulation O.D./ ϕ 0.62 mm to ϕ 0.63 mm, ϕ 0.98 mm
- * Please refer to the "Handling Precautions for Terminals and Connectors" on our website (listed in the "Technical Documents" column on the Product Information page) before use.
- * RoHS2 compliance
- * Dimensional unit: mm
- * Contact JST for details.

■ Standards

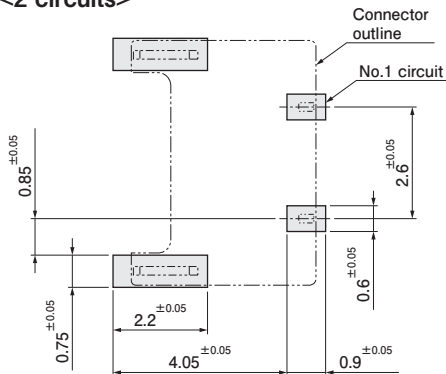
For information on overseas standard registrations, please refer to the "List of Registered Overseas Standards" on our website (listed in the "Technical Documents" column on the Product Information page).

- * Specifications registered to overseas standards may differ from the general specifications listed above.

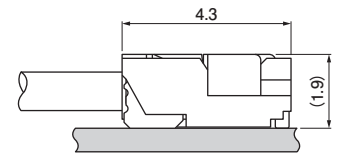
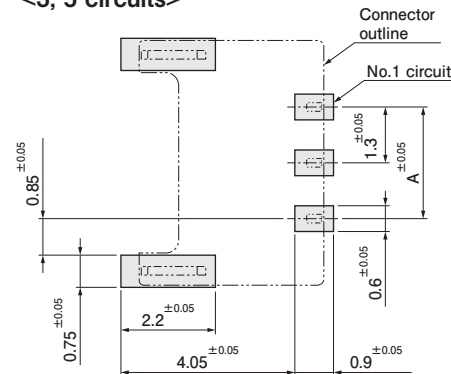
ADH CONNECTOR

PC board layout and Assembly layout

<2 circuits>

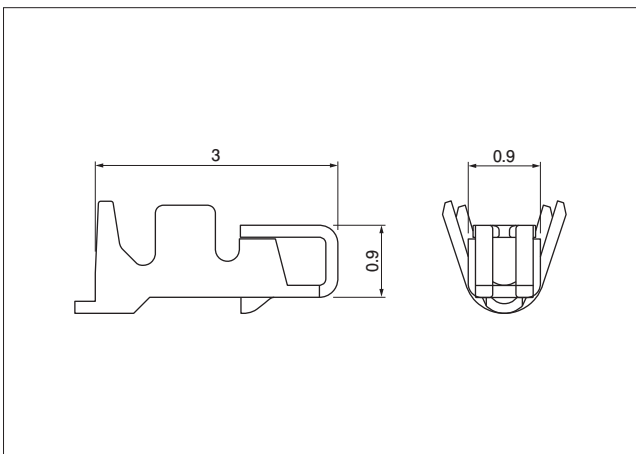


<3, 5 circuits>



- Note: 1. The PC board layout figure shown is viewed from the connector mounting surface.
 2. Dimension A: See "Header" section on page 3.
 3. Tolerance for the PCB pattern pitch shall be ± 0.05 and shall not accumulate.
 The above dimensions are for reference only. Please contact JST for further details.

Contact



Model No.	Applicable wire range		Q'ty/ reel
	Conductor size AWG (mm ²)	Insulation O.D. (mm)	
SADH-003G-P0.2	#28 (0.08)	0.62 to 0.63	25,000
SADH-002G-P0.2	#26 (0.14)	0.98	25,000

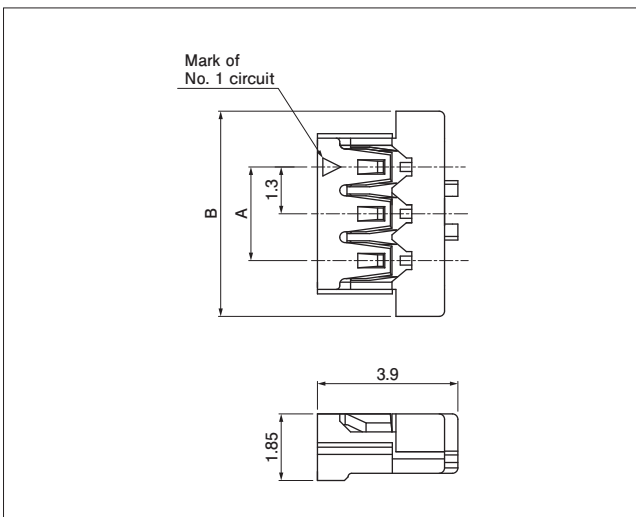
Material and Surface finish, etc.
 Copper alloy, gold-plated

Crimping machine

Contact	Crimping machine	Applicator	Crimp applicator with dies
SADH-003G-P0.2	AP-K2N	MKS-L-10-3	APLMK SADH003-02
SADH-002G-P0.2			APLMK SADH002-02

Note: Contact JST for fully automatic crimping applicator

Housing



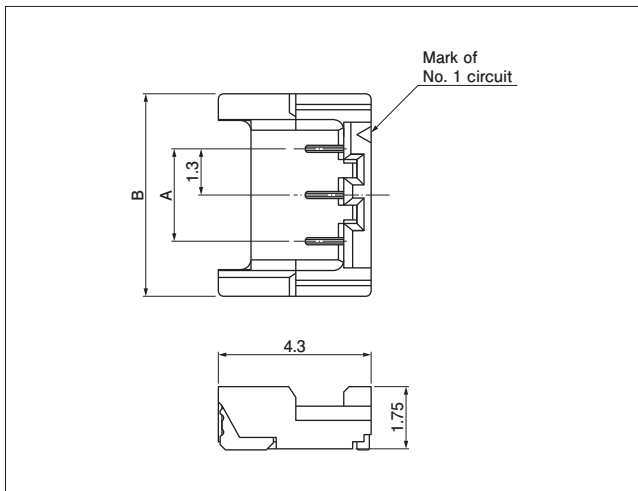
No. of circuits	Model No.	Dimensions (mm)		Q'ty/bag
		A	B	
3	ADHR-03V-S	2.6	5.7	2,000
3	ADHR-03V-S (HF)	2.6	5.7	2,000
3	ADHR-03V-H	2.6	5.7	2,000
5	ADHR-05V-S (HF)	5.2	8.3	2,000

Material and Surface finish, etc.
 PBT

Note: For flame retardant grade of resin material used, please refer to the "List of Registered Overseas Standards" on our website (listed in the "Technical Documents" column on the Product Information page).

ADH CONNECTOR

Header



No. of circuits	Model No.	Dimensions (mm)		Q'ty/reel
		A	B	
2 ^{Note 3}	BM02(3)B-ADHSS-GAN-ETB	2.6	5.7	5,000
3	BM03B-ADHSS-GAN-ETB (HF)	2.6	5.7	5,000
3	BM03B-ADHKS-GAN-ETB	2.6	5.7	5,000
5	BM05B-ADHKS-GAN-ETB (HF)	5.2	8.3	5,000

Material and Surface finish, etc.

Base contact: Copper alloy, selective gold-plated
 Base housing: PA (Heat resistance)
 Reinforcement: Copper alloy, tin-plated

- Note: 1. Products without the suffix (HF) for halogen-free will have (LF) (SN) on the label instead.
 2. This product is supplied on embossed tape and reel packaging.
 3. The 2-circuit version is with a 3-circuit base housing with contacts loaded in cavities 1 and 3.
 4. For flame retardant grade of resin material used, please refer to the "List of Registered Overseas Standards" on our website (listed in the "Technical Documents" column on the Product Information page).

Model number allocation

Contact

S ADH - 002 G - P 0.2

Supply form: Strip form	S
Series name	ADH
Applicable wire range: 003···AWG #28 002···AWG #26	002
Surface finish: Gold-plated	G
Material: Copper alloy	P
Applicable contact size	0.2

Housing

ADH R - 03 V - H (HF)

Series name	ADH
Type: For receptacle contact	R
No. of circuits	03
Sub model number	V
Color: S·····Natural, H···Gray	H
No indication···Non-halogen-free, (HF)···Halogen-free	(HF)

Header

BM 03 B - ADH S S - GAN - ETB (HF)

Header type: SMT top entry type	B
No. of circuits Note) 2-circuit version is indicated as 02(3).	03
Assembly product	B
Series name	ADH
Color: S···Natural, K···Black	S
Sub model number	S
Surface finish: Selective gold-plated	GAN
Packaging style: Antistatic embossed taping	ETB
No indication···Non-halogen-free, (HF)···Halogen-free	(HF)