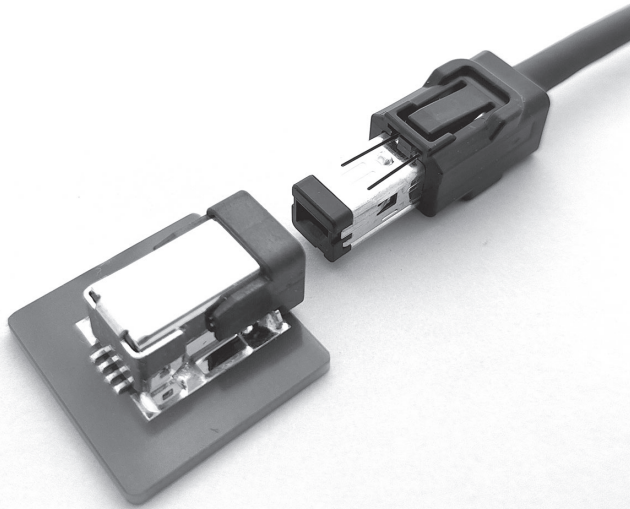
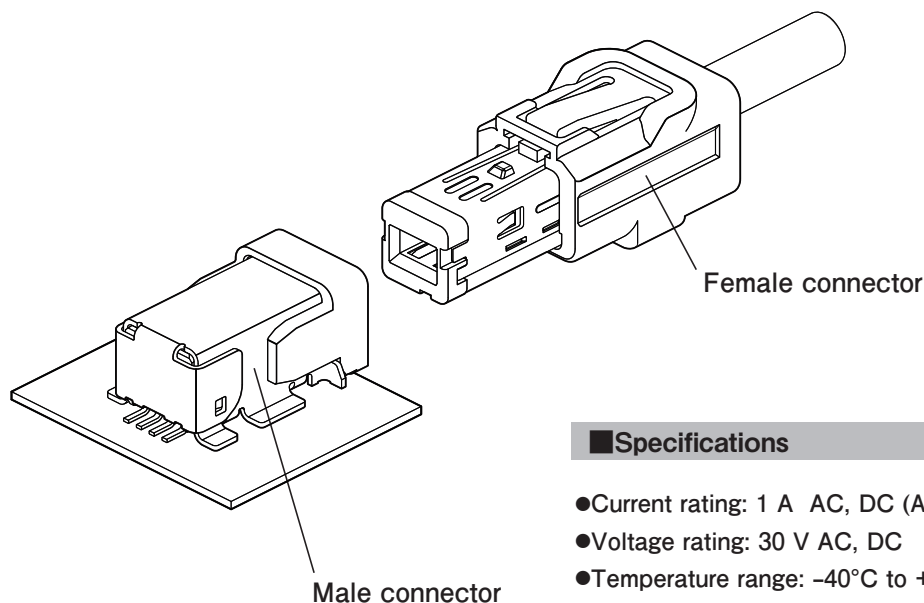


ASU CONNECTOR

Board-to-wire



ASU is a compact, high-speed transmission connector ideal for in-vehicle equipment such as Electronic Toll Collection Systems (ETC), navigation systems and Human Machine Interface (HMI). Designed for SMT termination.



■ Features

● High Reliability

Terminal structure for automotive equipments. This small connector enables the retention force of more than 98N with unique reinforcement tabs structure.

● Supports high-speed data transmission

Transmission speed: up to 2 Gbps

● Compact Design

Connector width: 10.7mm/ Height: 7.7mm

● Noise Performance

Excellent performance by metal shell shielding structure.

■ Specifications

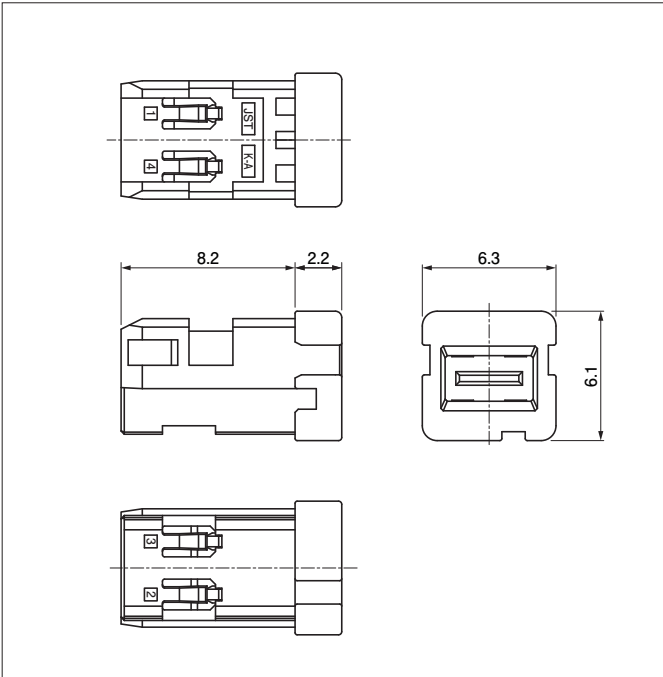
- Current rating: 1 A AC, DC (AWG #28)
- Voltage rating: 30 V AC, DC
- Temperature range: -40°C to +105°C
(including temperature rise in applying electrical current)
- Applicable wire: Inner conductor / AWG #28 to AWG #26
Sheath / ϕ 4 mm
 - * Contact JST for detail about applicable wire.
- Transmission speed: up to 2 Gbps
- Circuits: 4-circuit
- Keying features: 3 kinds of keying features
 - * Only two kinds of keying features is under mass production.
- PC board mounting direction: Side entry (SMT)

* Compliant with ELV/RoHS2.

* Contact JST for details.

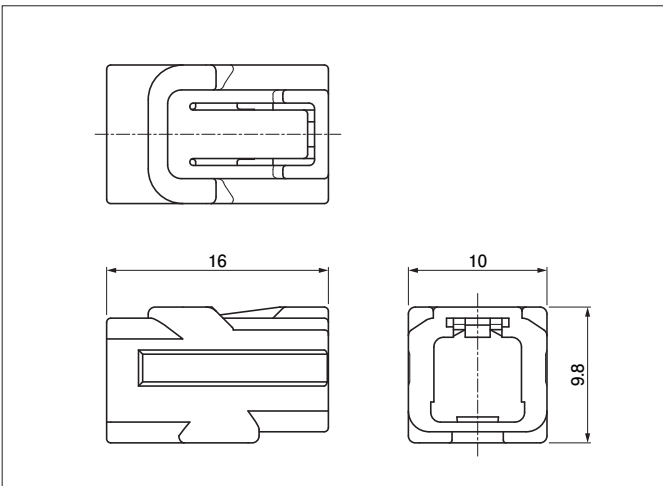
ASU CONNECTOR

Female inner housing



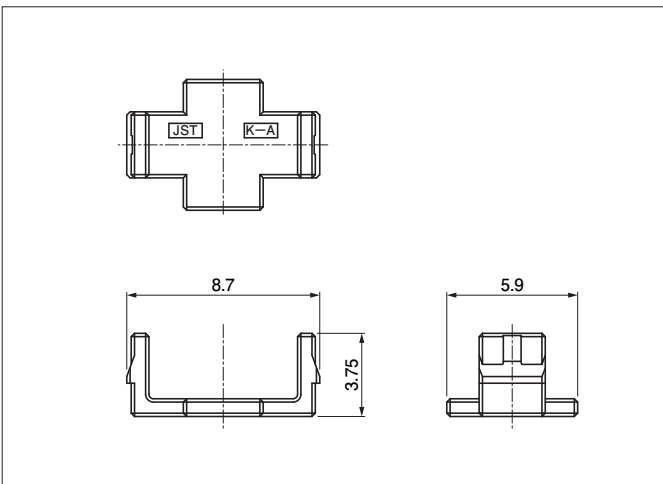
Circuits	Model No.	Q'ty/box	Housing Color
4	ASU-PHN4-K	500	Black
Material and Finish			
Thermoplastic resin			

Female outer housing



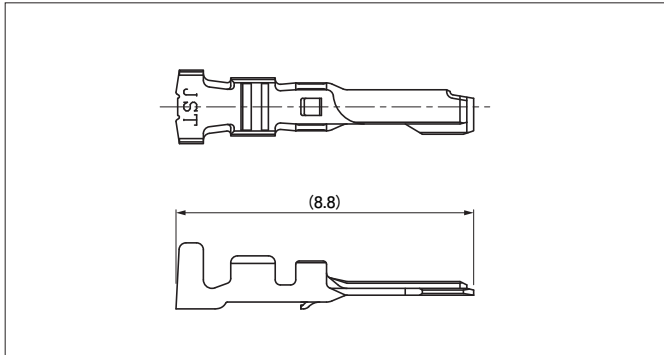
Model No.	Q'ty/box	Housing Color
ASU-PHG4-K	250	Black
Material and Finish		
Thermoplastic resin		

Female retainer



Model No.	Q'ty/box	Housing Color
ASU-PRT-H	2,000	Gray
Material and Finish		
Thermoplastic resin		

Female contact

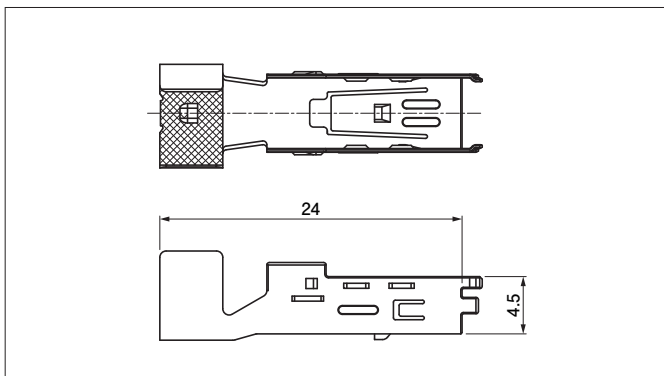


Model No.	Applicable wire range		Q'ty/reel
	Conductor (mm ²)	Insulation O.D. (mm)	
SASU-002GD-P0.15	0.08 to 0.13	0.8 to 1.0	10,000

Material and Finish

Copper alloy, nickel-undercoated, Contact mating area/ gold-plated Barrel/ tin-plated

Female shell

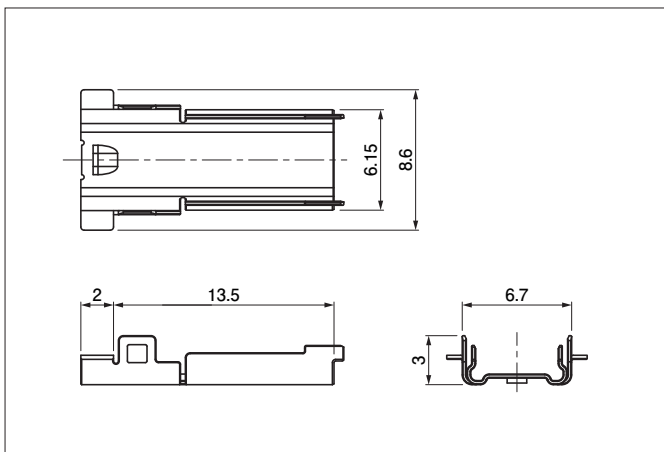


Model No.	Q'ty/reel
ASU-PS4-3RPT-1	1,200

Material and Finish

Copper alloy, tin-plated

Female cover shell

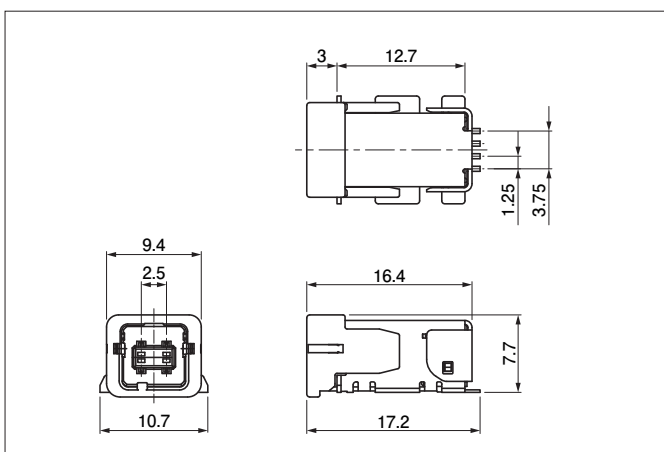


Model No.	Q'ty/reel
ASU-PCS4-3RPT	5,000

Material and Finish

Copper alloy, tin-plated

Male connector



Circuits	Model No.	Q'ty/reel
4	ASU-4RASM-12T1-K1-TR	500

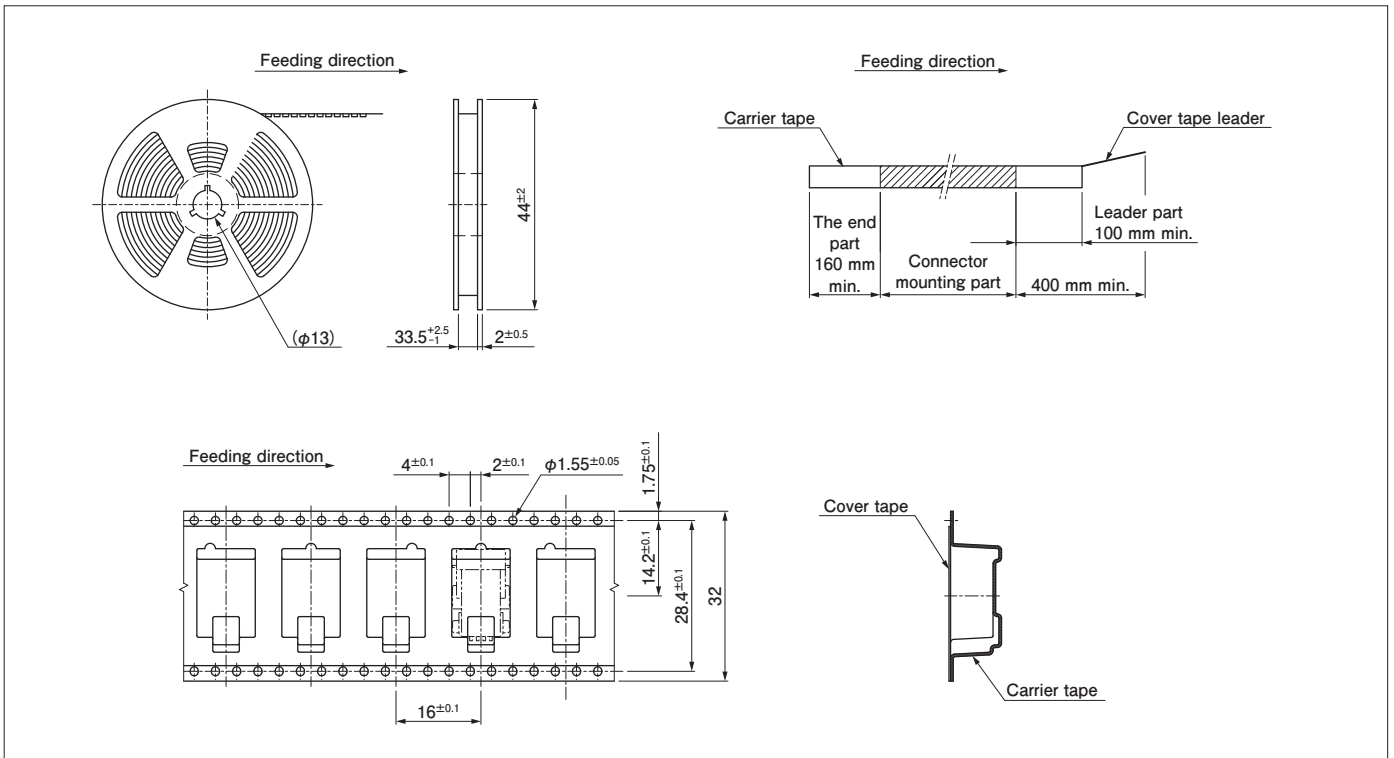
Material and Finish

Male inner housing: Heat resisting resin, Black
 Male outer housing: Heat resisting resin, Black
 Male contact: Copper alloy, nickel-undercoated
 Contact mating area/ gold-plated
 Solder tail tin-plated
 Male shell: Copper alloy, copper-undercoated, tin-plated

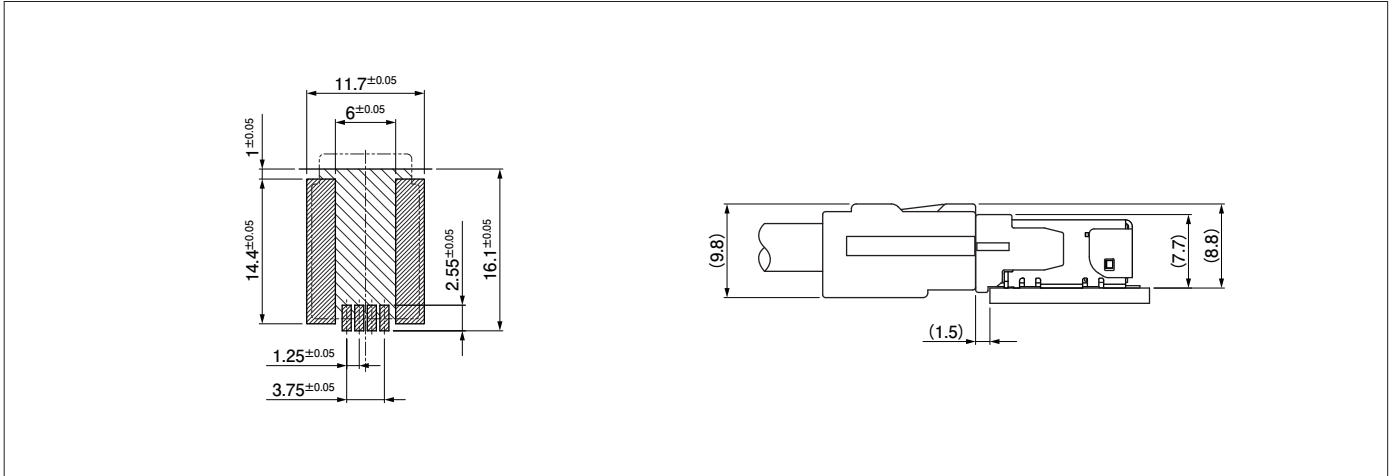
Note: This product displays (LF)(SN) on a label.

ASU CONNECTOR

Taping Specifications



PC board layout, Assembly layout



Note: 1. Tolerances are non-cumulative: ± 0.05 mm for all centers.
2. The dimensions above should serve as guideline. Contact JST for details.

Crimping machine, Applicator

Strip terminal	Crimping machine	Crimp applicator MKS-L	
		Dies	Crimp applicator with dies
SASU-002GD-P0.15	AP-K2N	MK/SASU-002-015	APLMK SASU-002-015

Note: When crimping operation is conducted using an applicator and die set other than the above, JST cannot guarantee the performance of the terminal.

Jig

Jig	Hand crimp tool
Shell crimping jig	H2-CP-ASU
Hand press	HPD-M2A