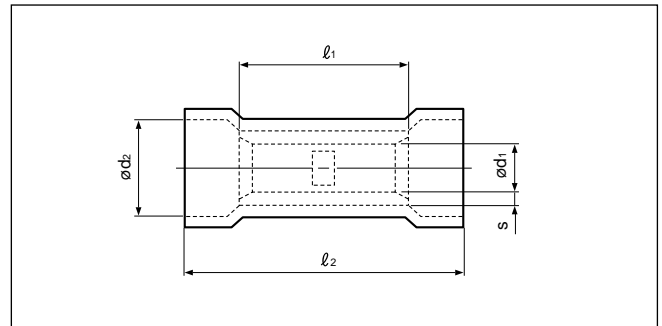


Non-insulated

Applicable Wire mm ²	Part No.	Nominal Size	Dimensions mm (in.)			Tool No.	Qty/box
			ød ₁	l	s		
0.1 to <0.5	C-0.5A		1.2 (.047)	12.0 (.472)	0.4 (.016)	WC-0510DIN	2,000
>2.5 to 6	GSC-6	6	3.6 (.142)	15.0 (.591)	1.0 (.039)		1,000
>6 to 10	GSC-10	10	4.5 (.177)	20.0 (.787)	1.1 (.043)	WC-0510DIN, WC-1016DIN	500
>10 to 16	GSC-16	16	5.8 (.228)	23.0 (.906)	1.2 (.047)	WC-1016DIN	
>16 to 25	GSC-25	25	7.5 (.295)	25.0 (.984)	1.5 (.059)	—	250
>25 to 35	GSC-35	35	9.0 (.354)	27.0 (1.063)	1.6 (.063)		200
>35 to 50	GSC-50	50	11.0 (.433)	38.0 (1.496)	1.8 (.071)		100
>50 to 70	GSC-70	70	13.0 (.512)	42.0 (1.654)	2.0 (.079)		100
>70 to 95	GSC-95	95	15.0 (.591)	48.0 (1.890)	2.5 (.098)		50
>95 to 120	GSC-120	120	16.5 (.650)	52.0 (2.047)	3.0 (.118)		50
>120 to 150	GSC-150	150	19.0 (.748)	56.0 (2.205)	3.2 (.126)		25

Note: 1) Contact J.S.T.(U.K.) Ltd for the above tools.
 2) Reference: DIN46341 Contact J.S.T. DEUTSCHLAND GMBH for details.
 3) Delivery lead times may vary depending on the product. Contact JST for details.



Vinyl-insulated

Applicable Wire mm ²	Part No.	Nominal Size	Dimensions mm (in.)					Color	Tool No.	Qty/box
			ød ₁	ød ₂	l ₁	l ₂	s			
0.5 to 1	FVGSC-1	1	1.6 (.063)	3.4 (.134)	15.0 (.591)	25.0 (.984)	0.8 (.031)	Red	WC-2210DIN	1,000
>1 to 2.5	FVGSC-2.5	2.5	2.3 (.091)	4.3 (.169)	15.0 (.591)	25.0 (.984)	0.8 (.031)	Blue	WC-2210DIN	1,000

Note: 1) Contact J.S.T.(U.K.) Ltd for the above tools.
 2) Reference: DIN46341 Contact J.S.T. DEUTSCHLAND GMBH for details.
 3) Delivery lead times may vary depending on the product. Contact JST for details.

Nylon-insulated

Applicable Wire mm ²	Part No.	Nominal Size	Dimensions mm (in.)					Color	Tool No.	Qty/box
			ød ₁	ød ₂	l ₁	l ₂	s			
0.1 to <0.5	FNGSC-0.5		1.2 (.047)	2.0 (.079)	12.0 (.472)	20.0 (.787)	0.4 (.016)	Yellow	—	2,000
0.5 to 1	FNGSC-1	1	1.6 (.063)	3.2 (.126)	15.0 (.591)	25.0 (.984)	0.8 (.031)	Red	WC-2210DIN	1,000
>1 to 2.5	FNGSC-2.5	2.5	2.3 (.091)	3.8 (.150)	15.0 (.591)	25.0 (.984)	0.8 (.031)	Blue	WC-2210DIN	1,000

Note: 1) Contact J.S.T.(U.K.) Ltd for the above tools.
 2) Reference: DIN46341 Contact J.S.T. DEUTSCHLAND GMBH for details.
 3) Delivery lead times may vary depending on the product. Contact JST for details.