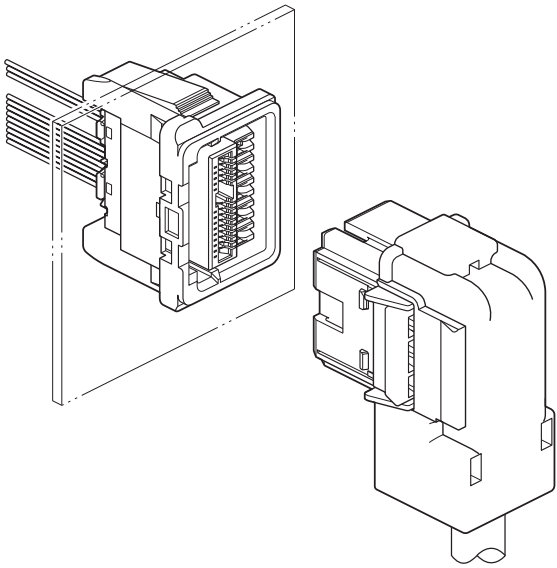


# DAC CONNECTOR

Wire-to-wire connectors



Hybrid type I/O connector with combined signal and power supply circuits.

- Signal circuit 1.0 mm pitch lever-locking type
- Curtailment of number of component
- Space saving
- Locking mechanism

## Standards

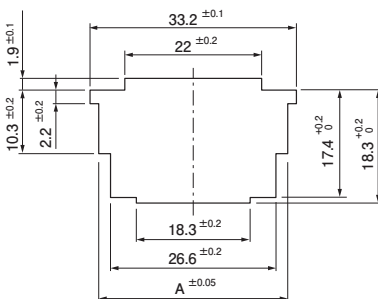
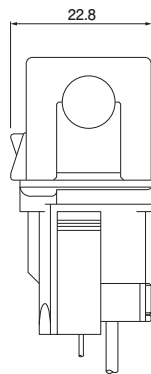
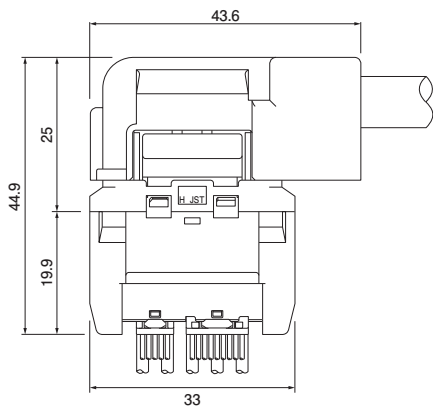
Recognized E 60389

J50219161

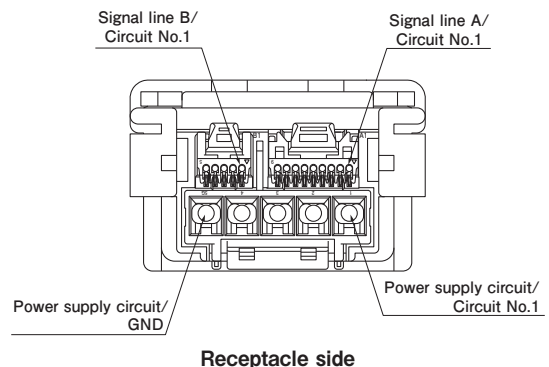
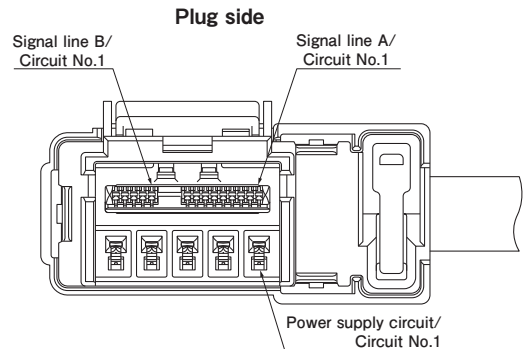
## Specifications

- Current rating: Signal circuit: 1.5 A AC/DC (AWG #27, #26)  
Power supply circuit: 6 A AC/DC (AWG #18)
  - Voltage rating: Signal circuit: 50 V AC/DC  
Power supply circuit: 300 V AC/DC
  - Temperature range: -25°C to +85°C  
(including temperature rise in applying electrical current)
  - Applicable wire:
    - Signal circuit Conductor size/ AWG #30 to #26
    - Power supply circuit Conductor size/ AWG #22 to #18
    - Plug side Sheath O.D./ 5 to 8.2 mm
  - Number of circuits: Signal circuit/ 14 circuits  
Power supply circuit/ 5 circuits
  - Applicable PC board thickness: 1 to 2 mm
  - Guarantee of repeated mating/unmating performance: 100 cycles
- \* In using the products, refer to "Handling Precaution for Terminals and Connectors" described on our website (Technical documents of Product information page)
- \* RoHS2 compliance
- \* Dimensional unit: mm
- \* Contact JST for details.

## Assembly layout and Panel layout



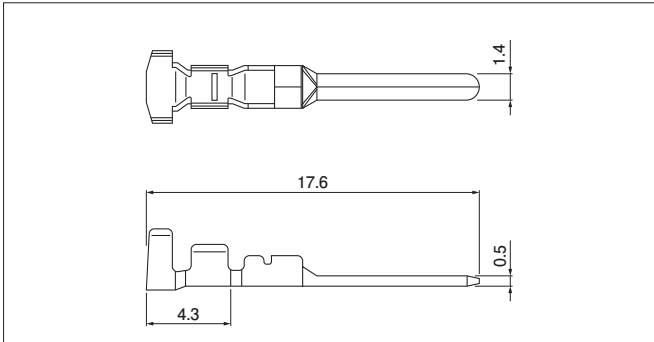
Panel thickness	t1.0	t1.2	t1.6	t2
A dimension	30.2	30.4		



- Note: 1. Punch holes in the panel according to the figures shown above. Burrs must be removed.  
2. The strength of the panel must be considered when punching two or more holes.  
3. The connector must be inserted from the same side as the hole is punched.

# DAC CONNECTOR

## Plug contact for power supply circuit



Model No.	Applicable wire		Insulation O.D. (mm)	Q'ty/reel
	mm <sup>2</sup>	AWG #		
SSM-21T-P1.4	0.3 to 0.75	22 to 18	1.5 to 2.5	6,000

### Material and Finish

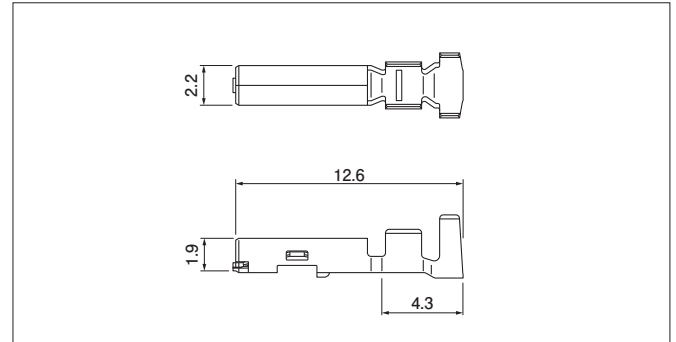
Copper alloy, tin-plated

### RoHS2 compliance

Contact	Crimping machine	Applicator		
		Crimp applicator	Dies	Crimp applicator with dies
SSM-21T-P1.4	AP-K2N	MKS-L	MK/SSF/M-21-14	APLMK SSF/M21-14

Note: Contact JST for fully automatic crimping applicator.

## Receptacle contact for power supply circuit



Model No.	Applicable wire		Insulation O.D. (mm)	Q'ty/reel
	mm <sup>2</sup>	AWG #		
SDACF-21T-P1.4	0.3 to 0.75	22 to 18	1.5 to 2.5	6,000

### Material and Finish

Copper alloy, tin-plated

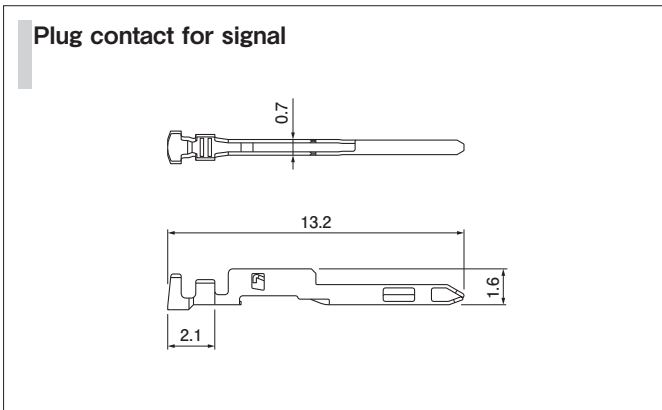
### RoHS2 compliance

Contact	Crimping machine	Applicator		
		Crimp applicator	Dies	Crimp applicator with dies
SDACF-21T-P1.4	AP-K2N	MKS-L	MK/SSF/M-21-14	APLMK SSF/M21-14

Note: Contact JST for fully automatic crimping applicator.

## Plug

### Plug contact for signal



Model No.	Applicable wire		Insulation O.D. (mm)	Q'ty/reel
	mm <sup>2</sup>	AWG #		
SDACP-002T-M0.9	0.05 to 0.13	30 to 26	0.6 to 0.8	18,000

### Material and Finish

Copper alloy, nickel-undercoated, tin-plated (reflow treatment)

### RoHS2 compliance

Note: This product displays (LF)(SN) on a label.

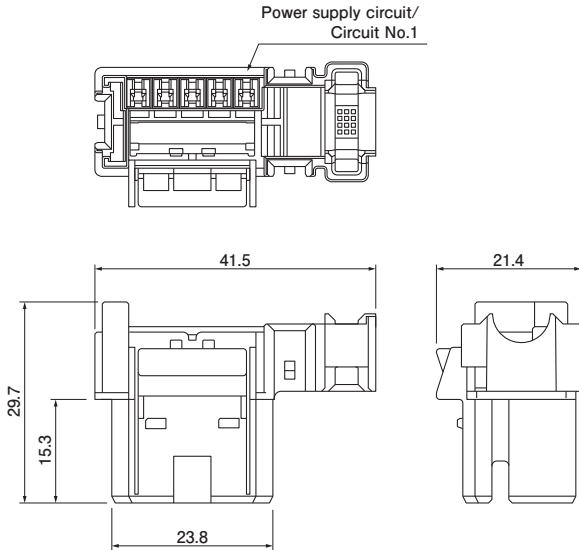
Contact	Crimping machine	Applicator		
		Crimp applicator	Dies	Crimp applicator with dies
SDACP-002T-M0.9	AP-K2N	MKS-L-10-3	MK/SRFCP-002-09	APLMK SRFCP002-09

Note: Contact JST for fully automatic crimping applicator.

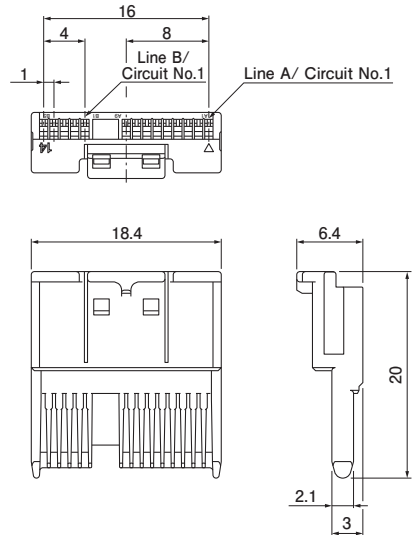
# DAC CONNECTOR

## Plug

### Signal 14 circuits / Power supply 5 circuits



### Plug signal unit



Model No.	Q'ty/box
DACPA-14P5-H	252

Material and Finish
PBT, UL94V-0, gray

#### RoHS2 compliance

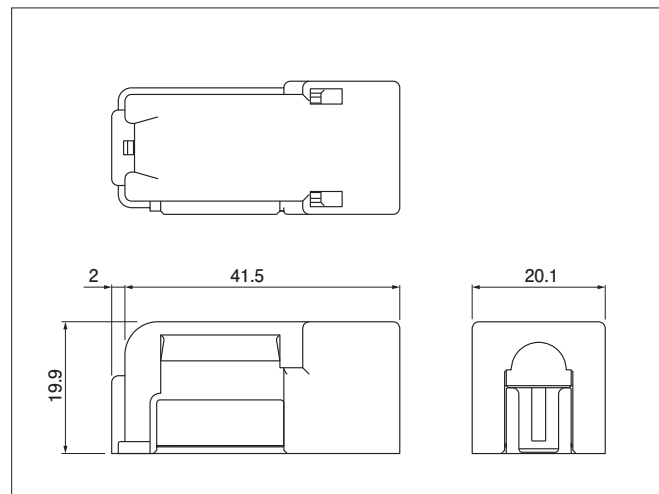
Note: Use a tie lock to fix the composite wire.

Model No.	Q'ty/box
DACYP-14(A9B5)-Z	480

Material and Finish
LCP, UL94V-0, natural

#### RoHS2 compliance

## Plug cover



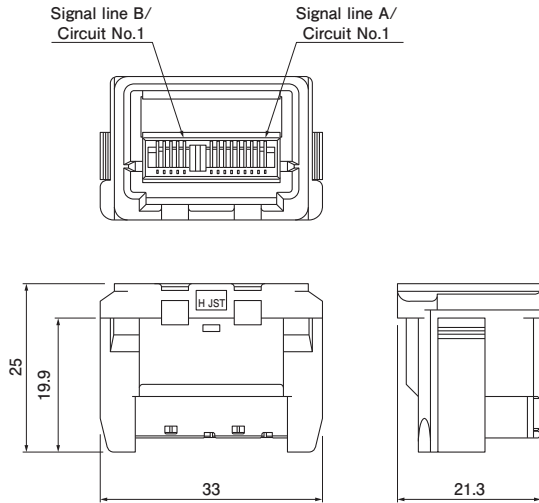
Model No.	Q'ty/box
DACC-14P5-H	315

Material and Finish
PBT, UL94V-0, gray

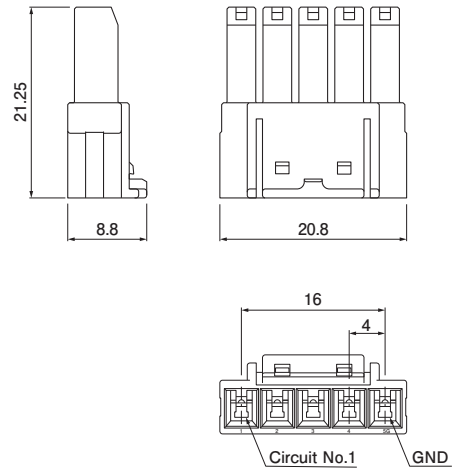
#### RoHS2 compliance

## Receptacle

### Signal 14 circuits / Power supply 5 circuits



### Power supply unit



Model No.	Q'ty/box
14P5RA-DAC-HT	240

Material and Finish
Contact: Copper alloy, nickel-undercoated, tin-plated (reflow treatment) Housing: PBT, UL94V-0, gray

RoHS2 compliance  
Note: This product displays (LF)(SN) on a label.

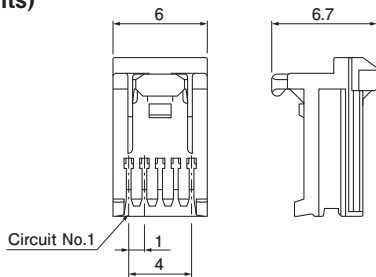
Model No.	Q'ty/box
DACYR-P5-5G-H	120

Material and Finish
PBT, UL94V-0, gray

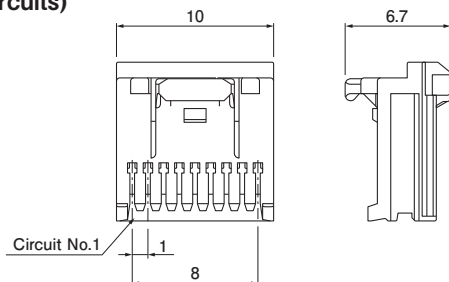
RoHS2 compliance

## CSR connector Socket

### (5 circuits)



### (9 circuits)



No. of circuits	Model No.	Q'ty/box
5	05CSR-8PK	9,000
9	09CSR-8PK	5,400

Material and Finish
Contact: Copper alloy, tin-plated Housing: PBT, UL94V-0, pink

RoHS2 compliance

Applicable wire	UL11079, UL3619, UL3855, UL11030 (Contact JST for other UL style.) AWG #27, #28 Conductor/ 7 strands, tin-coated annealed copper Insulation O.D./ 0.65 to 0.73 mm
-----------------	---