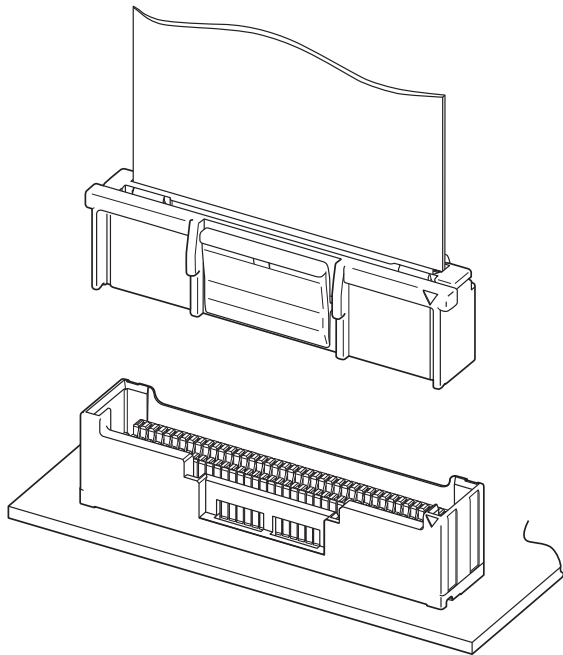


FCT CONNECTOR

1.0 mm pitch/For flat cable/ Mating style



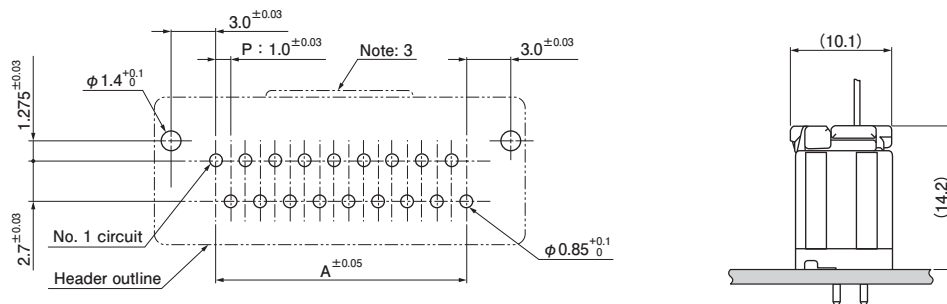
This connector realizes high cost performance, to be designed with the new connector concept that the conductors of flat cable that was fixed up in the plug housing are directly touched to the base contacts.

- Countermeasure to short circuit by whisker
- High reliability design by both side contact
- Low insertion force
- Secure lock mechanism

Specifications

- Current rating: 1.0 A AC/DC
- Voltage rating: 50 V AC/DC
- Temperature range: -25°C to +85°C
(including temperature rise in applying electrical current)
- Applicable flat cable (recommended):
 - Conductor pitch/ 1.0 mm
 - Conductor width/ 0.6 mm
 - Conductor thickness/ 0.1 mm
 - Thickness with insulator/ 0.4 mm
- PCB mounting style: Top entry
- * Please refer to the "Handling Precautions for Terminals and Connectors" on our website (listed in the "Technical Documents" column on the Product Information page) before use.
- * RoHS2 compliance
- * Dimensional unit: mm
- * Contact JST for details.

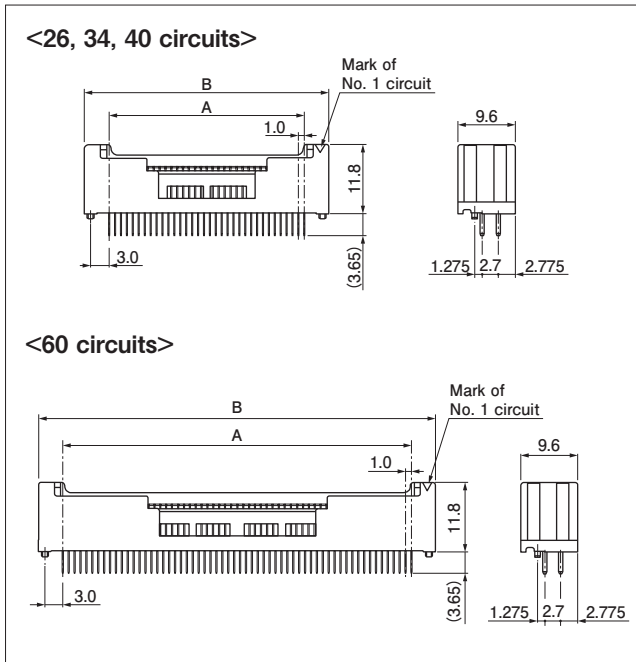
PC board layout and Assembly layout



- Note: 1. The PC board layout figure shown is viewed from the connector mounting surface.
 2. Dimension A in the above figure is the same as the dimensions A of the header.
 3. This is the board projection outline (partial) of the locking lever of the plug for mating connector.
 4. Tolerance for the PCB hole pitch shall be ± 0.05 and shall not accumulate.
 5. Hole dimensions differ depending on the type of PCB and PCB drilling method.
 The above dimensions are reference values. Please contact JST for details.

FCT CONNECTOR

Header



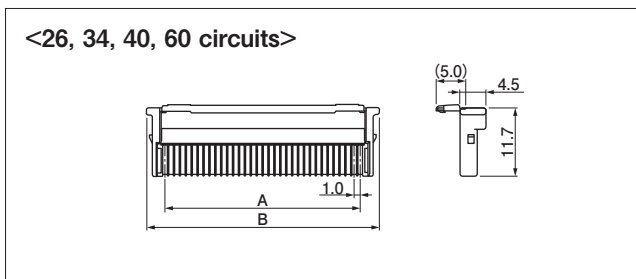
No. of circuits	Model No.		Dimensions (mm)		Q'ty/box
	With boss	Without boss	A	B	
26	26FCT-TDSS-B	26FCT-TDSS	25.0	33.0	1,008
34	34FCT-TDSS-B	34FCT-TDSS	33.0	41.0	784
40	40FCT-TDSS-B	40FCT-TDSS	39.0	47.0	672
60	60FCT-TDSS-B	60FCT-TDSS	59.0	67.0	448

Material and Surface finish, etc.

Contact: Copper alloy, copper-underplated, tin-plated
Base housing: PBT (Glass-filled), UL94V-0, natural (white)

Note: This product displays (LF)(SN) on a label.

Cable holder

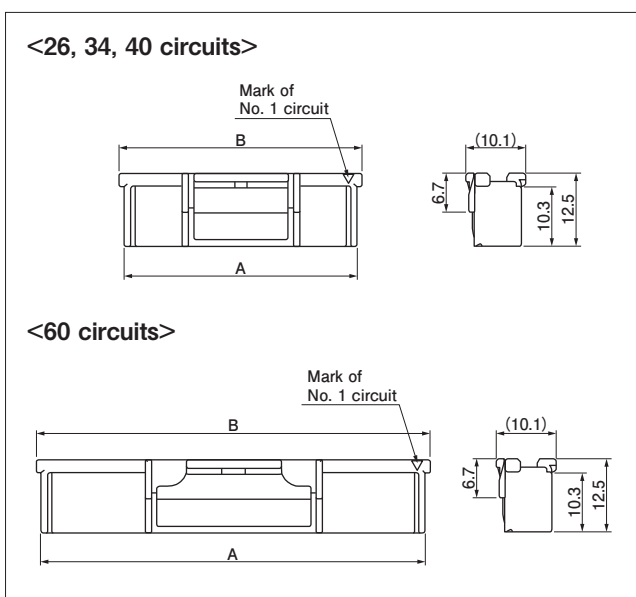


No. of circuits	Model No.	Dimensions (mm)		Q'ty/box
		A	B	
26	FCTH-26V-K	25.0	31.3	5,000
34	FCTH-34V-K	33.0	39.3	4,000
40	FCTH-40V-K	39.0	45.3	3,000
60	FCTH-60V-K	59.0	65.3	2,000

Material and Surface finish, etc.

PA 66, UL94V-0, black

Plug for mating connector

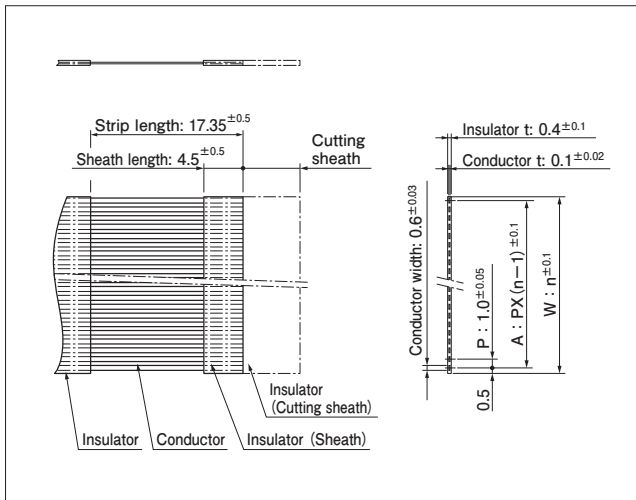


No. of circuits	Model No.	Dimensions (mm)		Q'ty/box
		A	B	
26	FCTP-26V-S	31.3	33.0	2,000
34	FCTP-34V-S	39.3	41.0	2,000
40	FCTP-40V-S	45.3	47.0	2,000
60	FCTP-60V-S	65.3	67.0	1,200

Material and Surface finish, etc.

PA 66, UL94V-0, natural (white)

Applicable flat cable dimensions (recommended)



No. of circuits (n)	A	W
26	25.0	26.0
34	33.0	34.0
40	39.0	40.0
60	59.0	60.0

Note: Confirm the applicability of the connector with the flat cable used, before use.
Contact JST for applicable flat cable.

Harness assembly jig

Jig name	Model No.
Jig for flat cable	H-VD-FCT60
Cable bending jig	
Conductor forced-bending jig	H-IT-FCT60
Plug inserting jig	

Model number allocation

Header

	34 FCT - T D S S - B
No. of circuits	34
Series name	FCT
Header type: T...Top entry type	T
Mounting style: D...Dip type	D
Color: S...Natural (White)	S
Clinched (Kinked) / Not clinched: S...Straight	S
Polarizing boss: Blank...without boss, B... with boss	B

Cable holder

	FCT H - 60 V - K
Series name	FCT H
Part name: H...Cable holder	H
No. of circuits	60
Flammability: V...UL94V-0	V
Color: K...Black	K

Plug for mating connector

	FCT P - 34 V - S
Series name	FCT P
Part name: P...Plug for mating connector	P
No. of circuits	34
Flammability: V...UL94V-0	V
Color: S...Natural (White)	S