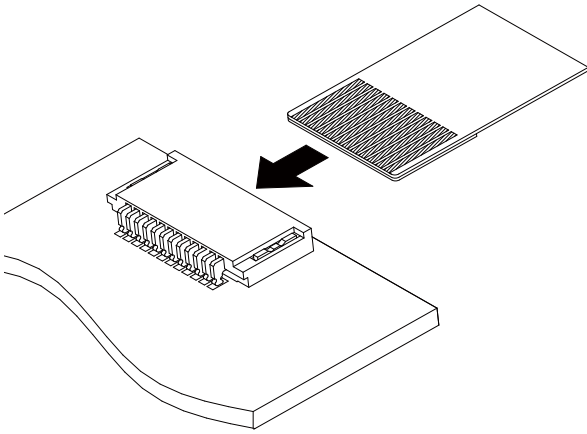


FHJ CONNECTOR

0.5 mm pitch/Board-to-FPC connector/Non-ZIF type



Extremely low-profile FPC connector with a mounting height of only 1.2 mm to save space.
Non-ZIF type connector for standard FPC 0.3 mm thickness.

- Significant reduction in mounting space
- Heat-resistant resin material suitable for surface mount assembly
- Structured for combined use of both upper and lower contacts

Specifications

- Current rating: 0.5 A AC/DC
- Voltage rating: 50 V AC/DC
- Temperature range: -25°C to $+85^{\circ}\text{C}$
(including temperature rise in applying electrical current)
- Contact resistance: Initial value/ 40 m Ω max.
After environmental tests/ 20 m Ω max.
(variation from initial value)
- Insulation resistance: 500 M Ω min.
- Withstanding voltage: There shall be no breakdown or flashover while applying 200 VAC for one minute.
- Applicable FPC: Conductor pitch/ 0.5 mm
Conductor width/ 0.35 mm
Thickness at contact area/ 0.3 ± 0.05 mm

* In using the products, refer to "Handling Precautions for Terminals and Connectors" described on our website (Technical documents of Product information page).

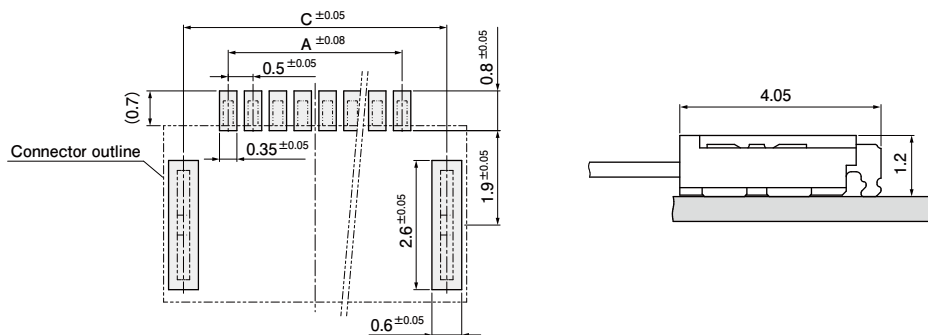
- * RoHS2 compliance
- * Dimensional unit: mm
- * Contact JST for details.

Standards

For information on overseas standard registrations, please refer to the "List of Registered Overseas Standards" on our website (listed in the "Technical Documents" column on the Product Information page).

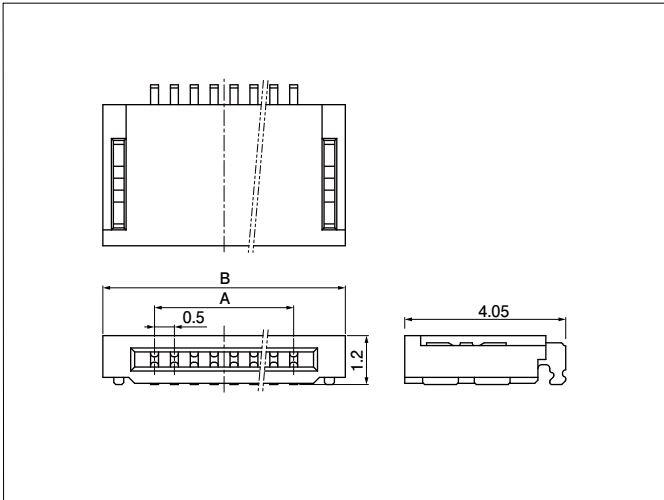
※ Specifications registered to overseas standards may differ from the general specifications listed above.

PC board layout and Assembly layout



- Note: 1. The PC board layout figure shown is viewed from the connector mounting surface.
2. Tolerance for the PCB pattern pitch shall be ± 0.05 , and shall not accumulate more than ± 0.08 .
3. The above dimensions are for reference only. Please contact JST for further details.

Connector



No. of circuits	Model No.	Dimensions (mm)			Q'ty/reel
		A	B	C	
5	05FHJ-SM1-TB	2.0	4.6	3.8	4,000
6	06FHJ-SM1-TB	2.5	5.1	4.3	4,000
7	07FHJ-SM1-TB	3.0	5.6	4.8	4,000
8	08FHJ-SM1-TB	3.5	6.1	5.3	4,000
10	10FHJ-SM1-TB	4.5	7.1	6.3	4,000
11	11FHJ-SM1-TB	5.0	7.6	6.8	4,000
12	12FHJ-SM1-TB	5.5	8.1	7.3	4,000
14	14FHJ-SM1-TB	6.5	9.1	8.3	4,000
16	16FHJ-SM1-TB	7.5	10.1	9.3	4,000
18	18FHJ-SM1-TB	8.5	11.1	10.3	4,000
20	20FHJ-SM1-TB	9.5	12.1	11.3	4,000
21	21FHJ-SM1-TB	10.0	12.6	11.8	4,000
24	24FHJ-SM1-TB	11.5	14.1	13.3	4,000

Material and Surface finish, etc.

Contact: Copper alloy, tin-plated
Housing: LCP, natural
Reinforcement: Copper alloy, tin-plated

This product displays (LF)(SN) on a label.

Note) For flame retardant grade of resin material used, please refer to the "List of Registered Overseas Standards" on our website (listed in the "Technical Documents" column on the Product Information page).

Dimensions of FPC lead section

