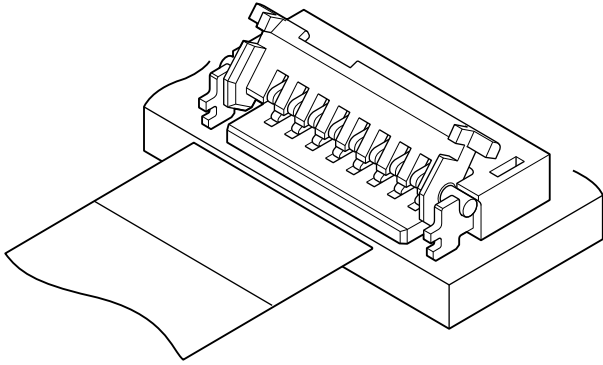


FHS CONNECTOR

0.5 mm pitch / Board-to-FPC connector / ZIF type



This is a space-saving FPC connector with a low profile of 0.9 mm in mounting height and a depth of 3.1 mm. The standard FPC thickness is 0.2 mm.

- Space saving design
- Heat-resistant design suitable for surface mounting
- A one-touch operation to close the cover activates the self-locking mechanism.

Specifications

- Current rating: 0.5 A AC/DC
- Voltage rating: 50 V AC/DC
- Temperature range: -25°C to +85°C
(including temperature rise in applying electrical current)
- Contact resistance: Initial value/60 mΩ max.
After environmental tests/60 mΩ max.
(variation from initial value)
- Insulation resistance: 800 MΩ min.
- Withstanding voltage: There shall be no breakdown or flashover while applying 200 VAC for one minute.
- Applicable FPC: Conductor pitch/0.5 mm
Conductor width/0.35 mm
Thickness of contact area/0.2 ± 0.03 mm

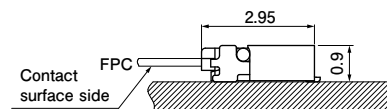
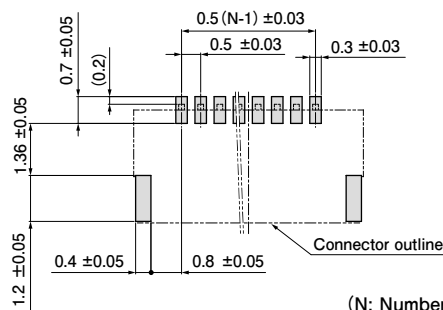
- * For FPCs, please confirm compatibility before use.
- * Please refer to the "Handling Precautions for Terminals and Connectors" on our website (listed in the "Technical Documents" column on the Product Information page) before use.
- * RoHS2 compliance
- * Dimensional unit: mm
- * Contact JST for details.

Standards

For information on overseas standard registrations, please refer to the "List of Registered Overseas Standards" on our website (listed in the "Technical Documents" column on the Product Information page).

※Specifications registered to overseas standards may differ from the general specifications listed above.

PC board layout and Assembly layout

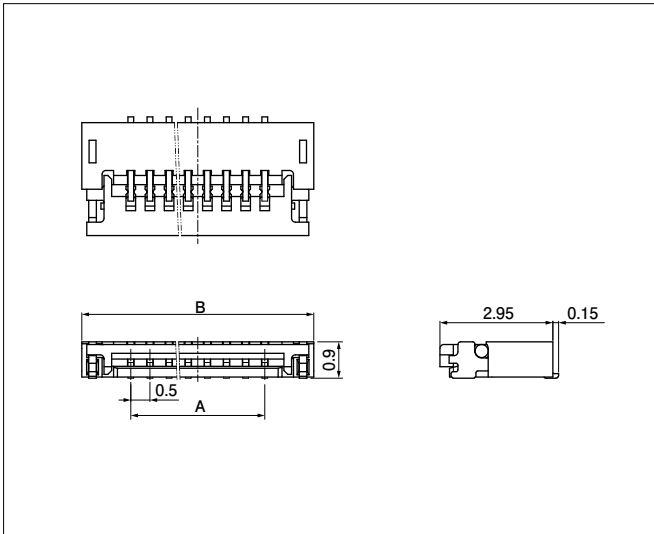


- Metal mask thickness: 100 to 120 μm

- Note 1) The PC board layout figure shown is viewed from the connector mounting surface.
 2) Tolerance for the PCB pattern pitch shall be ± 0.03 and shall not accumulate.
 The above dimensions are for reference only. Please contact JST for further details.
 3) For N2 nitrogen reflow soldering, please contact JST.

FHS CONNECTOR

Connector



| No. of circuits | Model No. | Dimensions (mm) | | Q'ty/reel |
|-----------------|-------------------|-----------------|------|-----------|
| | | A | B | |
| 4 | 04FHS-RSM1-GAN-TB | 1.5 | 4.06 | 6,000 |
| 6 | 06FHS-RSM1-GAN-TB | 2.5 | 5.06 | 6,000 |
| 8 | 08FHS-RSM1-GAN-TB | 3.5 | 6.06 | 6,000 |

Material and Surface finish, etc.

Contact: Copper alloy, selective gold-plated
 Socket housing: LCP, natural
 Reinforcement: Copper alloy, tin-plated
 Cover housing: PPS, black

This product is supplied on embossed tape and reel packaging.

Dimensions of FPC lead section

