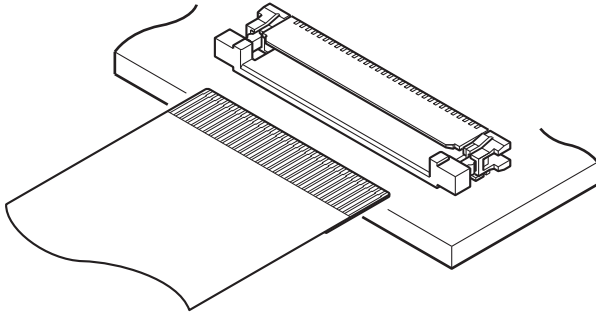


FKZ CONNECTOR

0.5 mm pitch/ Board-to-FPC connector/ ZIF type



With a fine pitch of 0.5 mm, this space-saving, compact FPC connector, with its ZIF (Zero Insertion Force) mechanism, effectively prolongs the number of mating cycles, thereby extending the life of the connector. Both normal and reverse connection types are available.

■ Features

• Space-saving

Space-saving 0.5 mm pitch FPC connector with a depth of 3.5 mm (25 or less contacts) or 4.0 mm (26 or more contacts).

• Low profile

Low-profile design with a mounting height of 1.8 mm.

• ZIF (Zero Insertion Force) type

The ZIF mechanism ensures a high retention force of FPC leads for added durability and resistance against wear and tear that may result from the insertion and extraction process.

■ Specifications

- Current rating: 0.5 A AC/DC
 - Voltage rating: 50 V AC/DC
 - Temperature range: -25°C to +85°C
(including temperature rise in applying electrical current)
 - Contact resistance:
 - Initial value/ 20 mΩ max.
 - After environmental tests/ 40 mΩ max.
 - Insulation resistance: 100 MΩ min.
 - Withstanding voltage:
 - There shall be no breakdown or flashover while applying 200 VAC for one minute.
 - Applicable FPC:
 - Conductor pitch/ 0.5 ± 0.03 mm
 - Conductor width/ 0.35 ± 0.03 mm
 - Thickness of contact area/ 0.30 ± 0.05 mm
- * Please refer to the "Handling Precautions for Terminals and Connectors" on our website (listed in the "Technical Documents" column on the Product Information page) before use.
- * RoHS2 compliance
- * Dimensional unit: mm
- * Contact JST for details.

■ Standards

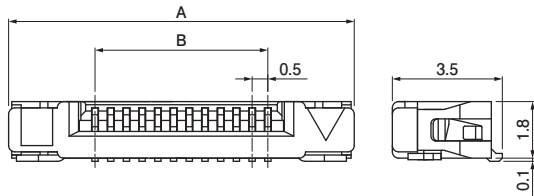
For information on overseas standard registrations, please refer to the "List of Registered Overseas Standards" on our website (listed in the "Technical Documents" column on the Product Information page).

* Specifications registered to overseas standards may differ from the general specifications listed above.

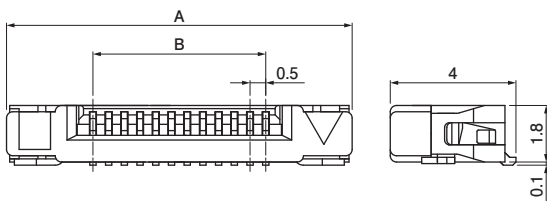
Connector

Normal type

<25 circuits or less>

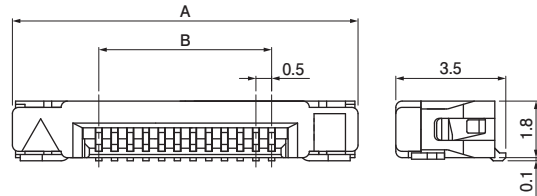


<26 circuits or more>

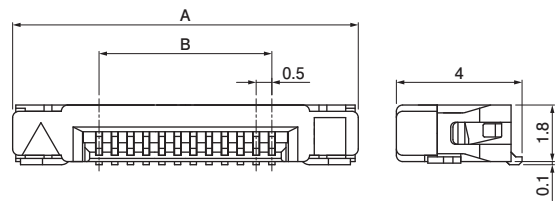


Reverse type

<25 circuits or less>



<26 circuits or more>



No. of circuits	Model No.		Dimensions (mm)		Q'ty/reel
	Normal type	Reverse type	A	B	
5	05FKZ-SM1-1-TB	05FKZ-RSM1-1-TB	7.5	2.0	3,000
6	06FKZ-SM1-1-TB	06FKZ-RSM1-1-TB	8.0	2.5	3,000
8	08FKZ-SM1-1-TB	08FKZ-RSM1-1-TB	9.0	3.5	3,000
12	12FKZ-SM1-1-TB	12FKZ-RSM1-1-TB	11.0	5.5	3,000
13	—	13FKZ-RSM1-1-TB	11.5	6.0	3,000
14	14FKZ-SM1-1-TB	14FKZ-RSM1-1-TB	12.0	6.5	3,000
16	16FKZ-SM1-1-TB	16FKZ-RSM1-1-TB	13.0	7.5	3,000
18	18FKZ-SM1-1-TB	18FKZ-RSM1-1-TB	14.0	8.5	3,000
19	19FKZ-SM1-1-TB	19FKZ-RSM1-1-TB	14.5	9.0	3,000
20	20FKZ-SM1-1-TB	20FKZ-RSM1-1-TB	15.0	9.5	3,000
22	22FKZ-SM1-1-TB	22FKZ-RSM1-1-TB	16.0	10.5	3,000
24	24FKZ-SM1-1-TB	24FKZ-RSM1-1-TB	17.0	11.5	3,000
26	26FKZ-SM1-2-TB	26FKZ-RSM1-2-TB	18.0	12.5	3,000
27	27FKZ-SM1-2-TB	27FKZ-RSM1-2-TB	18.5	13.0	3,000
28	28FKZ-SM1-2-TB	28FKZ-RSM1-2-TB	19.0	13.5	3,000
30	30FKZ-SM1-2-TB	30FKZ-RSM1-2-TB	20.0	14.5	3,000
32	32FKZ-SM1-2-TB	32FKZ-RSM1-2-TB	21.0	15.5	3,000

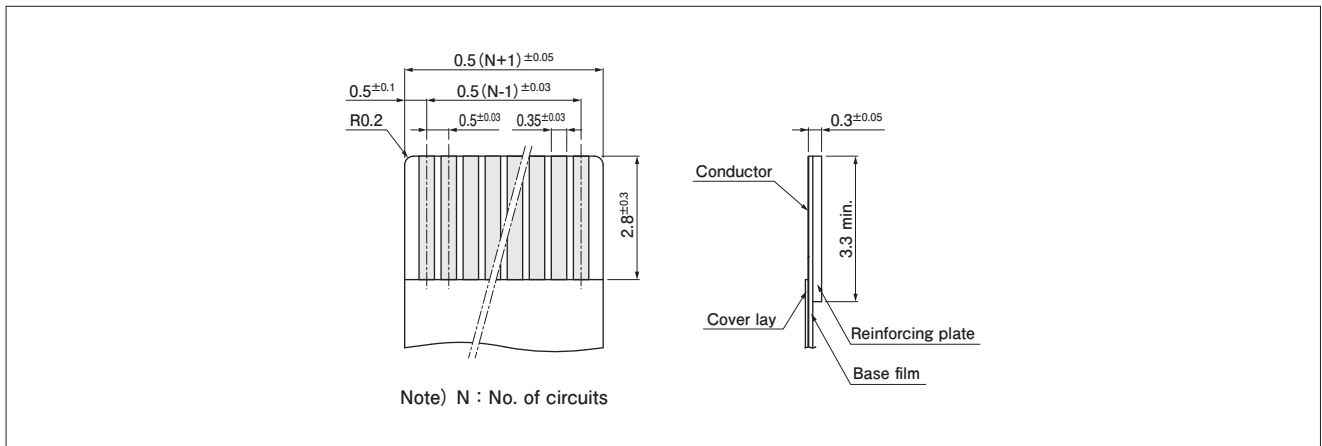
Material and Surface finish, etc.

Contact: Copper alloy, tin-plated
Housing: PPS
Reinforcement: Copper alloy, tin-plated
Slider: PPS

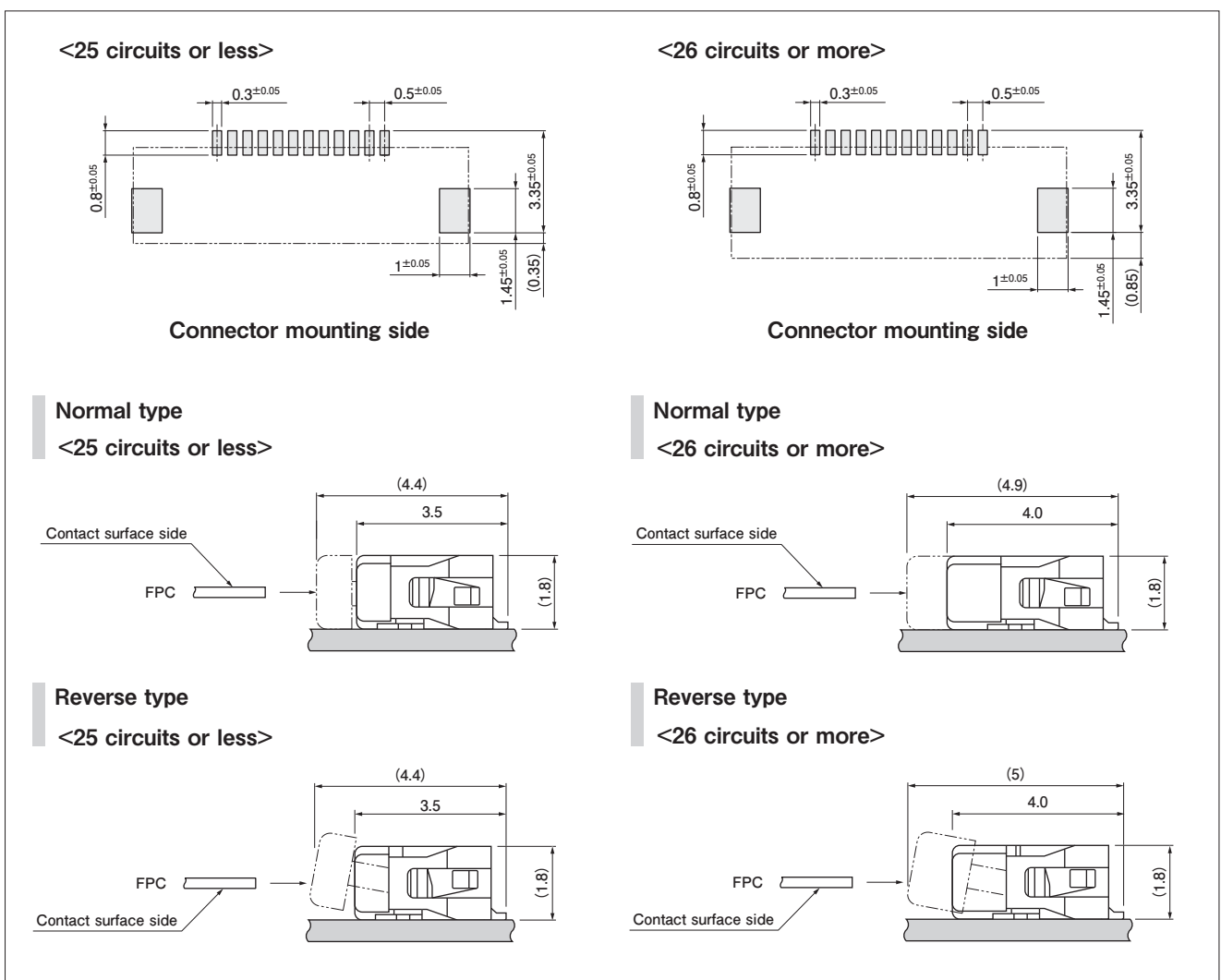
Note: 1. This product displays (LF)(SN) on a label.

2. For flame retardant grade of resin material used, please refer to the "List of Registered Overseas Standards" on our website (listed in the "Technical Documents" column on the Product Information page).

Dimensions of FPC lead section



PC board layout and Assembly layout



Note: 1. Tolerance for the PCB pattern pitch shall be ± 0.05 and shall not accumulate.
 2. The above dimensions are for reference only. Please contact JST for further details.