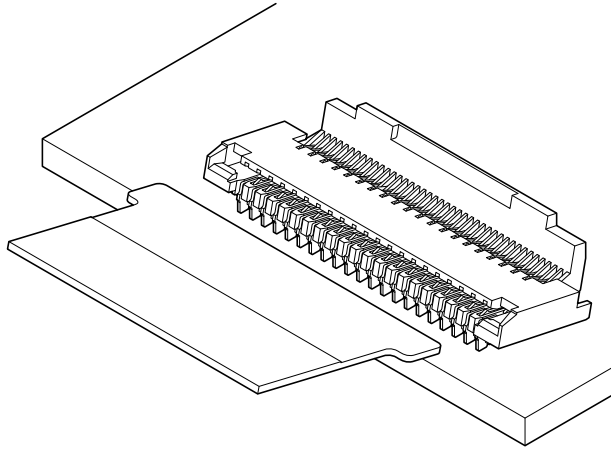


FVCM CONNECTOR



0.2 mm pitch/Connectors for FPC



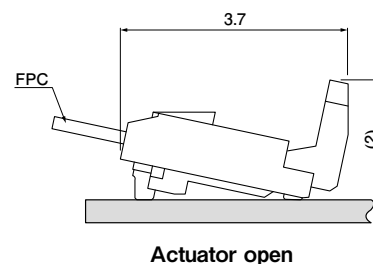
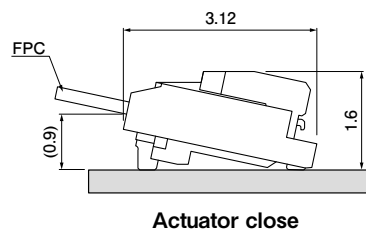
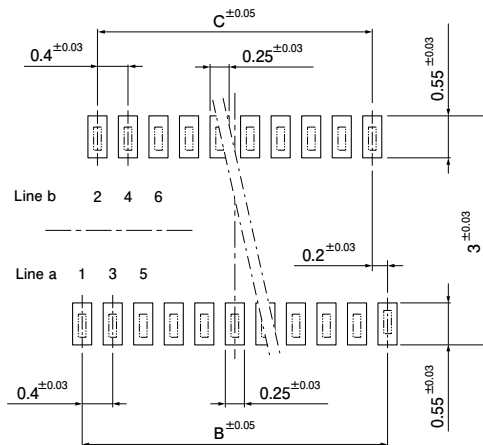
This FVCM connector is the first mid-flip type 0.2 mm pitch connector for FPC in the connector industry.

It is designed for the use of multipolarization, operability and both upper and lower contacts. Moreover, it inherits from tilt type, and it improves the freedom of design for placing at the PC board dramatically.

Specifications

- Current rating: 0.2 A AC/DC
 - Voltage rating: 50 V AC/DC
 - Temperature range: -25°C to +85°C
(including temperature rise in applying electrical current)
 - Contact resistance: Initial value/ 110 mΩ max.
After environmental tests/ 100 mΩ max.
(variation from initial value)
 - Insulation resistance: 50 MΩ min.
 - Withstanding voltage: 200 VAC/minute
 - Applicable FPC: Conductor pitch/ 0.2 mm
Conductor width/ 0.2 mm
Mating part thickness/ 0.2 ± 0.03 mm
- * In using the products, refer to "Handling Precautions for Terminals and Connectors" described on our website (Technical documents of Product information page).
- * RoHS2 compliance
- * Dimensional unit: mm
- * Contact JST for details.

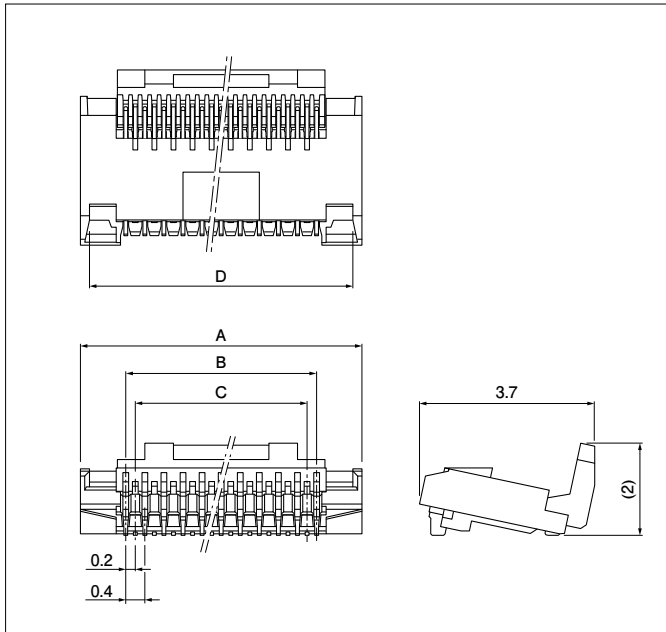
PC board layout and Assembly layout



Note: 1. The above figure is the figure viewed from the connector mounting side.
2. Tolerance for the centers of pattern on PCB is ± 0.03 , and shall be not cumulative more than ± 0.05 .
The dimensions above should serve as a guideline. Contact JST for details.

FVCM CONNECTOR

Connector



No. of circuits	Model No.	Dimensions (mm)				Q'ty/reel
		A	B	C	D	
41	41FVCM-SM1-GAN-TF (HF)	9.9	8.0	7.6	9.5	3,800
51	51FVCM-SM1-GAN-TF (HF)	11.9	10.0	9.6	11.5	4,500

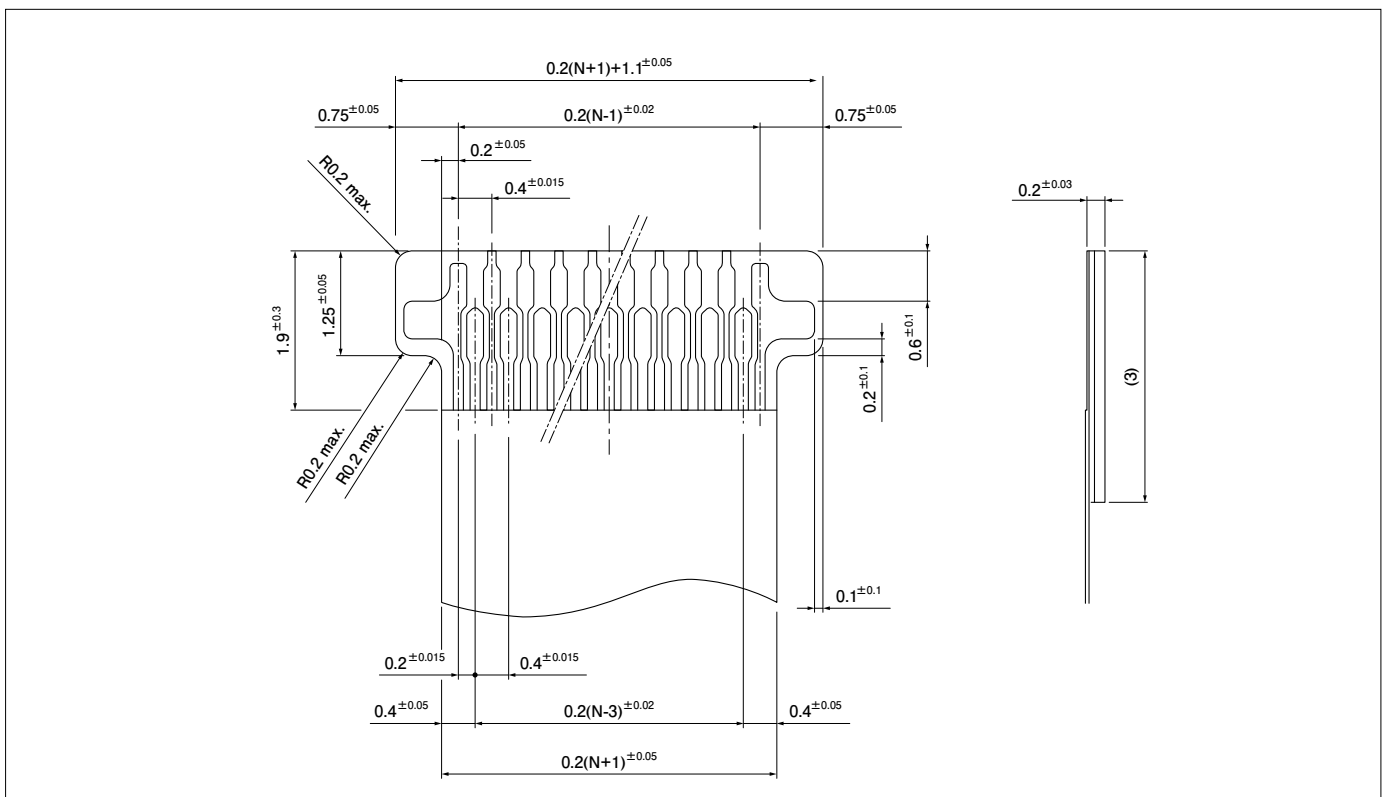
Material and Finish

Contact: Copper alloy, nickel-undercoated, gold-plated (nickel-stripe)
Housing: Heat resisting resin, UL94V-0, black
Actuator: Heat resisting resin, UL94HB, gray

RoHS2 compliance

Note: These products listed above are supplied on embossed-tape.

Lead section dimensions of FPC



Note: 1. N --- Number of circuits
2. Contact JST for details.