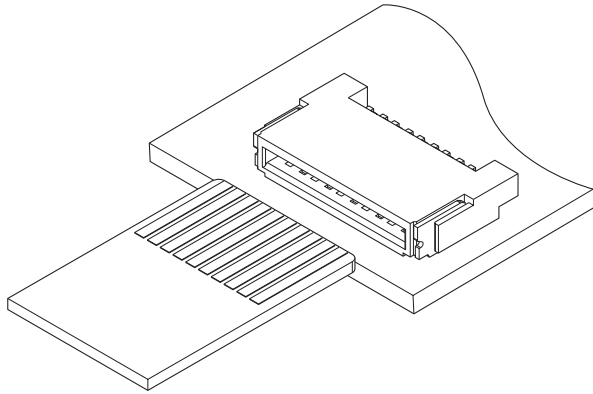


FZA CONNECTOR

0.4 mm pitch / Board-to-FPC connector / Non-ZIF type



This is a 0.4 mm pitch, compact Non-ZIF type connector with a mounting height of 1.0 mm and a depth of 3.0 mm.

- Structured for combined use of both upper and lower contacts

Specifications

- Current rating: 0.5 A AC/DC
- Voltage rating: 50 V AC/DC
- Temperature range: -25°C to +85°C
(including temperature rise in applying electrical current)
- Contact resistance: Initial value/40 mΩ max.
After environmental tests/30 mΩ max.
(variation from initial value)
- Insulation resistance: 50 MΩ min.
- Withstanding voltage: There shall be no breakdown or flashover while applying 200 VAC for one minute.
- Applicable FPC: Conductor pitch/0.4 mm
Conductor width/0.25 mm
Thickness of contact area/0.3 ± 0.03 mm

* In using the products, refer to "Handling Precaution for Terminals and Connectors" described on our website (Technical documents of Product information page).

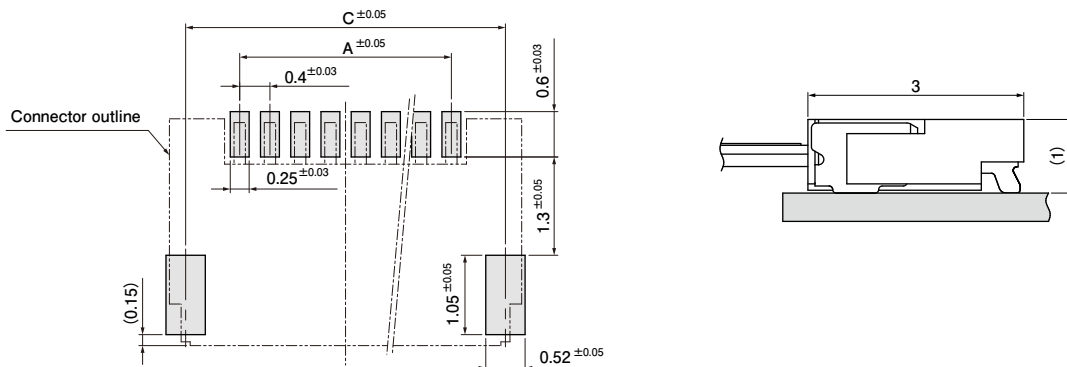
- * RoHS2 compliance
- * Dimensional unit: mm
- * Contact JST for details.

Standards

For information on overseas standard registrations, please refer to the "List of Registered Overseas Standards" on our website (listed in the "Technical Documents" column on the Product Information page).

※ Specifications registered to overseas standards may differ from the general specifications listed above.

PC board layout and Assembly layout

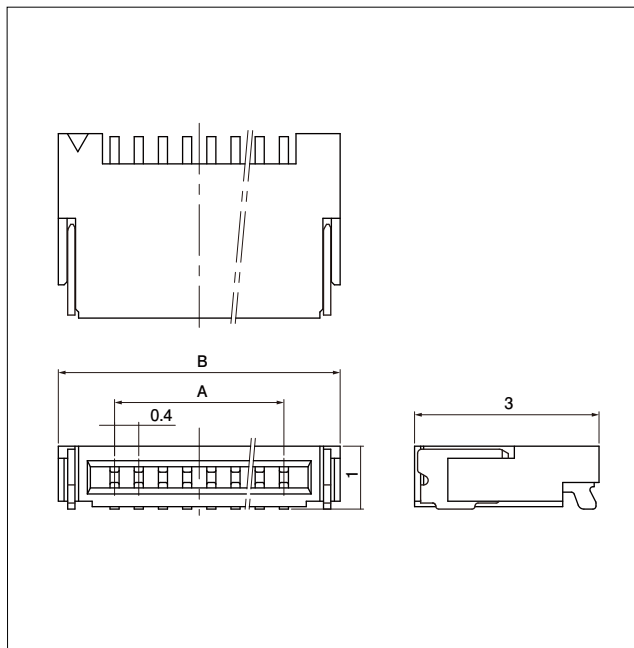


Note 1) The PC board layout figure shown is viewed from the connector mounting surface.

2) Tolerance for the PCB pattern pitch shall be ± 0.03, and shall not accumulate more than ± 0.05.
The above dimensions are for reference only. Please contact JST for further details.

FZA CONNECTOR

Connector



No. of circuits	Model No.	Dimensions (mm)			Q'ty/reel
		A	B	C	
4	04FZA-SM1-GAN-TB(HF)	1.2	3.0	2.63	7,000
5	05FZA-SM1-GAN-TB(HF)	1.6	3.4	3.03	7,000
6	06FZA-SM1-GAN-TB(HF)	2.0	3.8	3.43	7,000
7	07FZA-SM1-GAN-TB(HF)	2.4	4.2	3.83	7,000
8	08FZA-SM1-GAN-TB(HF)	2.8	4.6	4.23	7,000
10	10FZA-SM1-GAN-TB(HF)	3.6	5.4	5.03	7,000
12	12FZA-SM1-GAN-TB(HF)	4.4	6.2	5.83	7,000
13	13FZA-SM1-GAN-TB(HF)	4.8	6.6	6.23	7,000
14	14FZA-SM1-GAN-TB(HF)	5.2	7.0	6.63	7,000
16	16FZA-SM1-GAN-TB(HF)	6.0	7.8	7.43	7,000
18	18FZA-SM1-GAN-TB(HF)	6.8	8.6	8.23	7,000
20	20FZA-SM1-GAN-TB(HF)	7.6	9.4	9.03	7,000
22	22FZA-SM1-GAN-TB(HF)	8.4	10.2	9.83	7,000
24	24FZA-SM1-GAN-TB(HF)	9.2	11.0	10.63	7,000

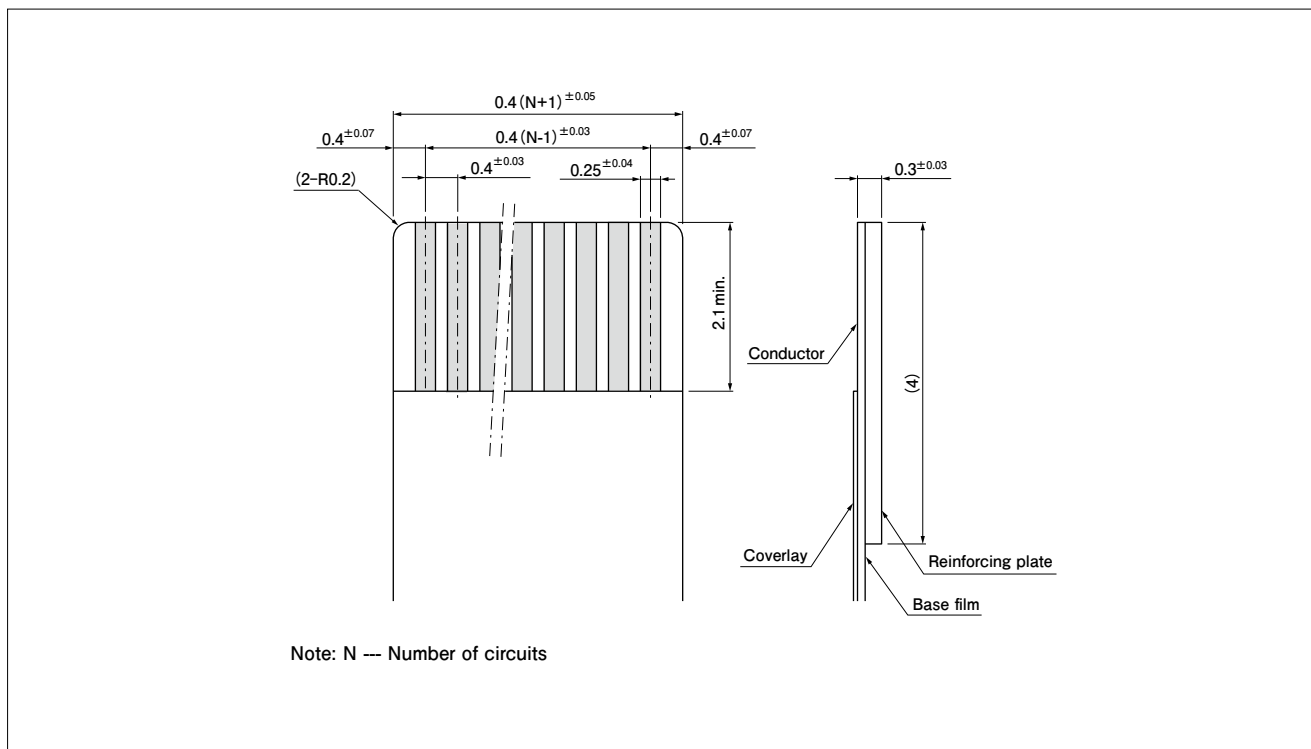
Material and Surface finish, etc.

Contact: Copper alloy, selective gold-plated
Housing: LCP, black
Reinforcement: Copper alloy, tin-plated

This product is supplied on embossed tape and reel packaging.

Note) For flame retardant grade of resin material used, please refer to the "List of Registered Overseas Standards" on our website (listed in the "Technical Documents" column on the Product Information page).

Dimensions of FPC lead section



Note: N --- Number of circuits