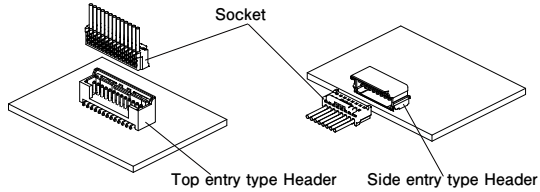


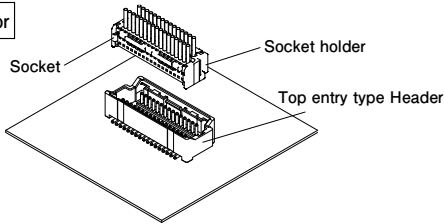
GX Family series GX · GXW CONNECTORS

1.25 mm pitch/Wire-to-Board connectors/
IDC style (Insulation displacement connector) and Mating style

GX connector



GXW connector



- Compact 1.25 mm pitch connector compatible with AWG #26 (UL10272/11079)
- SMT type with unique header design that avoids having to use suction tape in automatic pick & place assembly.
- Low-insertion force contacts that allows ease of operation during the mating process.
- Unique internal friction lock design that produces enhanced audible click sound upon mating to prevent incomplete insertion.

GX connector

- Low insertion force
- Unique internal friction lock design
- SMT

GXW connector

- Keying feature to prevent mis-mating
- Features same lock design as the GX connector

Specifications

	GX connector	GXW connector
Current rating	2 A (AWG #26)	1.5 A (AWG #26)
Voltage rating	50 V AC/DC	
Temperature range	-25°C to +85°C (Including temperature rise in applying electrical current)	
Contact resistance	Initial value/10 mΩ max.	
	After tests/30 mΩ max.	
Insulation resistance	500 MΩ min.	
Withstanding voltage	There shall be no breakdown or flashover while applying 500 VAC for one minute.	
Applicable wire range	UL10272, UL11079 Conductor size/ AWG#26, #28 Insulation O.D./ φ 0.75 to φ 0.83 Core wire composition/Annealed copper 7 stranded wire with tin-coating	

* Please refer to the "Handling Precautions for Terminals and Connectors" on our website (listed in the "Technical Documents" column on the Product Information page) before use.

- * RoHS2 compliance
- * Dimensional unit : mm
- * Contact JST for details.

Standards

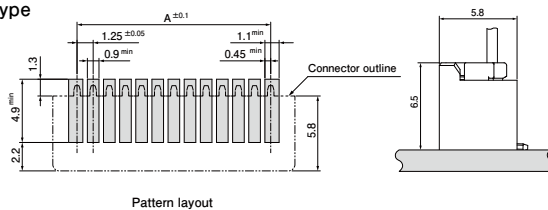
For information on overseas standard registrations, please refer to the "List of Registered Overseas Standards" on our website (listed in the "Technical Documents" column on the Product Information page).

※ The general specifications mentioned above are defined in the product specifications for this series.
Please note that registered standards may differ.

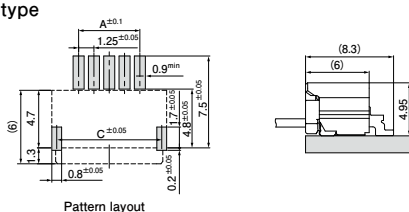
PC board layout and Assembly layout

[GX connector]

• Top entry type

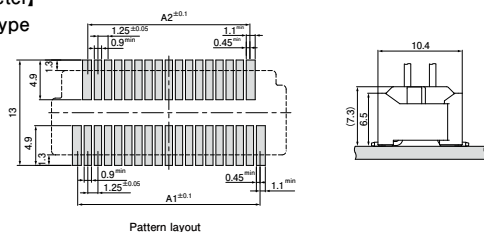


• Side entry type



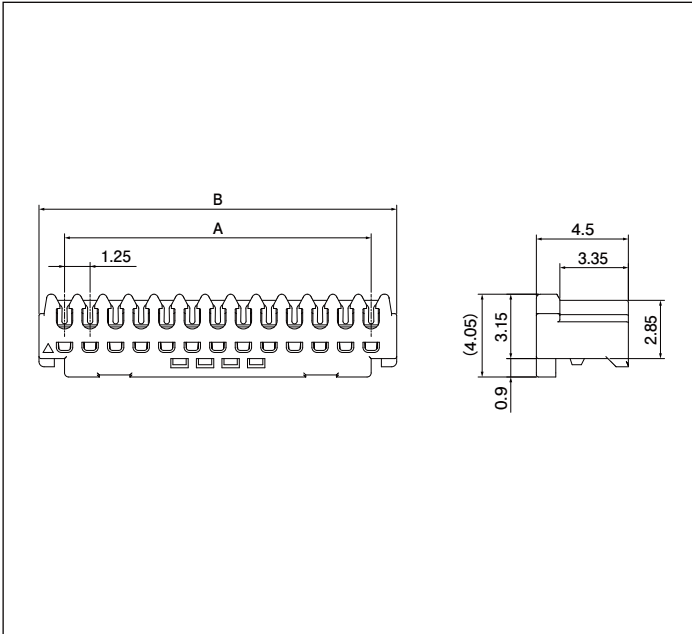
[GXW connector]

• Top entry type



GX Family Series /GX·GXW CONNECTORS

GX connector Socket



No. of circuits	Model No.	Dimensions (mm)		Q'ty/box
		A	B	
2	02GX-6S	1.25	3.75	2,000
3	03GX-6S	2.50	5.00	2,000
4	04GX-6S	3.75	6.25	1,000
5	05GX-6S	5.00	7.50	1,000
6	06GX-6S	6.25	8.75	1,000
7	07GX-6S	7.50	10.00	800
8	08GX-6S	8.75	11.25	800
9	09GX-6S	10.00	12.50	700
11	11GX-6S	12.50	15.00	500
13	13GX-6S	15.00	17.50	500
15	15GX-6S	17.50	20.00	500
17	17GX-6S	20.00	22.50	400
19	19GX-6S	22.50	25.00	400
21	21GX-6S	25.00	27.50	300
23	23GX-6S	27.50	30.00	300
25	25GX-6S	30.00	32.50	300

Material and Surface finish, etc.

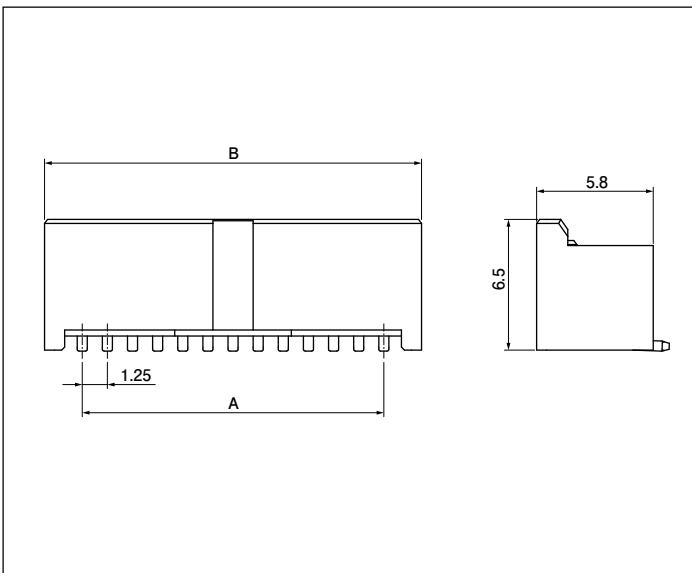
Contact: Copper alloy, tin-plated

Socket housing: Thermoplastic resin, natural

※For information on overseas standard registrations, please refer to the "List of Registered Overseas Standards" on our website (listed in the "Technical Documents" column on the Product Information page).

GX connector Header

• Top entry type



• Top entry type

No. of circuits	Model No.	Dimensions (mm)		Q'ty/reel
		A	B	
2	BM02B-GXKS-TF	1.25	5.00	900
3	BM03B-GXKS-TF	2.50	6.25	900
4	BM04B-GXKS-TF	3.75	7.50	900
5	BM05B-GXKS-TF	5.00	8.75	900
6	BM06B-GXKS-TF	6.25	10.00	900
7	BM07B-GXKS-TF	7.50	11.25	900
8	BM08B-GXKS-TF	8.75	12.50	900
9	BM09B-GXKS-TF	10.00	13.75	900
11	BM11B-GXKS-TF	12.50	16.25	900
13	BM13B-GXKS-TF	15.00	18.75	900
15	BM15B-GXKS-TF	17.50	21.25	900
17	BM17B-GXKS-TF	20.00	25.00	900
19	BM19B-GXKS-TF	22.50	27.50	900
21	BM21B-GXKS-TF	25.00	30.00	900
23	BM23B-GXKS-TF	27.50	32.50	900
25	BM25B-GXKS-TF	30.00	35.00	900

Material and Surface finish, etc.

Post: Copper alloy, copper-undercoated, tin-plated

Housing: Heat resisting resin, black

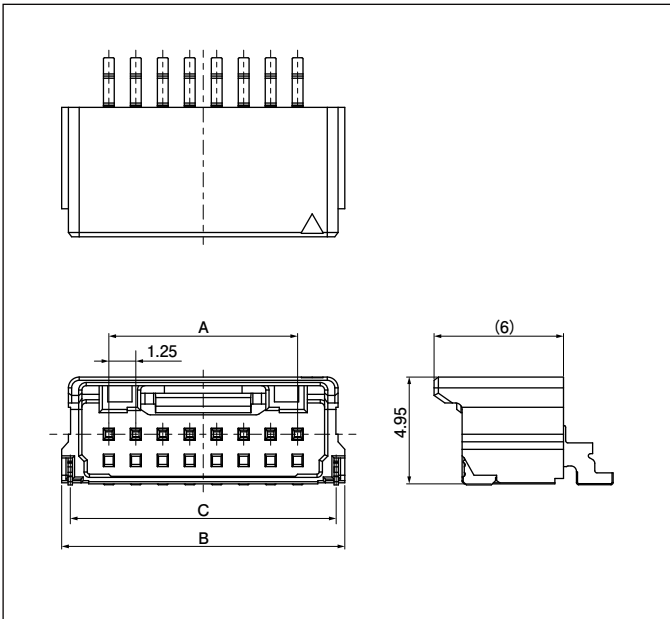
This product displays (LF)(SN) on a label.

※For information on overseas standard registrations, please refer to the "List of Registered Overseas Standards" on our website (listed in the "Technical Documents" column on the Product Information page).

GX Family Series /GX·GXW CONNECTORS

GX connector Header

• Side entry type



• Side entry type

No. of circuits	Model No.	Dimensions (mm)			Q'ty/reel
		A	B	C	
2	SM02B-GXKS-TF	1.25	5.625	4.825	1000
8	SM08B-GXKS-TF	8.75	13.125	12.325	1000

Material and Surface finish, etc.

Press pin : Copper alloy, copper-undercoated, tin-plated

Housing : Heat resisting resin, black

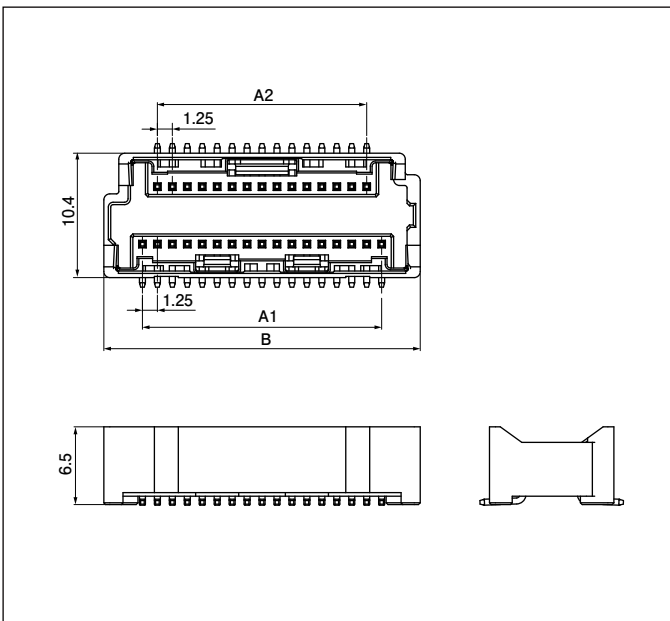
Reinforcement : Copper alloy, copper-undercoated, tin-plated

This product displays (LF)(SN) on a label.

※For information on overseas standard registrations, please refer to the "List of Registered Overseas Standards" on our website (listed in the "Technical Documents" column on the Product Information page).

GXW connector Header

• Top entry type



• Top entry type

No. of circuits	Keying	Model No.	Dimensions (mm)			Q'ty/reel
			A1	A2	B	
32	A	BM32B-GXWKS-A-TF	20.00	17.50	26.45	600
	B	BM32B-GXWLES-B-TF				600
36	A	BM36B-GXWKS-A-TF	22.50	20.00	28.95	600
	B	BM36B-GXWLES-B-TF				600
40	A	BM40B-GXWKS-A-TF	25.00	22.50	31.45	600
	B	BM40B-GXWLES-B-TF				600

Material and Surface finish, etc.

Post : Copper alloy, copper-undercoated, tin-plated

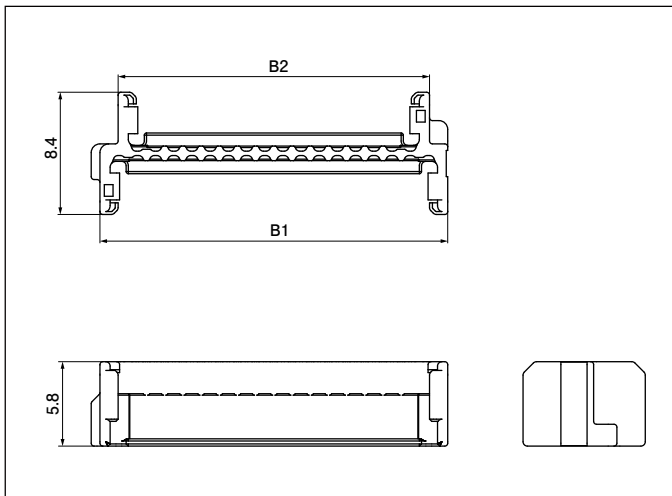
Wafer : Heat resisting resin, black/light blue

This product displays (LF)(SN) on a label.

※For information on overseas standard registrations, please refer to the "List of Registered Overseas Standards" on our website (listed in the "Technical Documents" column on the Product Information page).

GX Family Series /GX·GXW CONNECTORS

GXW connector Socket holder



No. of circuits	Keying	Model No.	Dimensions (mm)		Q'ty/box
			B1	B2	
32	A	GXWH-32-K-A	23.9	21.4	500
	B	GXWH-32-LE-B			500
36	A	GXWH-36-K-A	26.4	23.9	500
	B	GXWH-36-LE-B			500
40	A	GXWH-40-K-A	28.9	26.4	500
	B	GXWH-40-LE-B			500

Material and Surface finish, etc.

Thermoplastic resin, black/light blue

※For information on overseas standard registrations, please refer to the "List of Registered Overseas Standards" on our website (listed in the "Technical Documents" column on the Product Information page).

Model number allocation

• GX connector Socket

02 GX - 6 S

No. of circuits

Series name

Applicable wire range: 6 ... AWG #26 and #28 common use

Color : S ... Natural

• GX connector Header

BM 02 B - GX K S - TF

Header type : BM ... Top entry type
SM ... Side entry type

No. of circuits

Assembly product

Series name

Color : K ... Black

Array : S ... In-line (Single-row)

Packaging style : TF ... Embossed taping

• GXW connector Header

BM 32 B - GXW K S - A - TF

Header type :
BM ... Top entry type

No. of circuits

Assembly product

Series name

Color : K ... Black, LE ... Light blue

Array : S ... In-line (Single-row)

Keying : A ... Type A, B ... Type B

Packaging style : TF ... Embossed taping

• GXW connector Socket holder

GXW H - 32 - K - A

Series name

Part name : Socket holder

No. of circuits

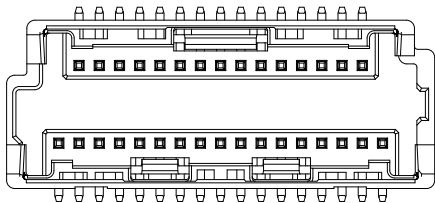
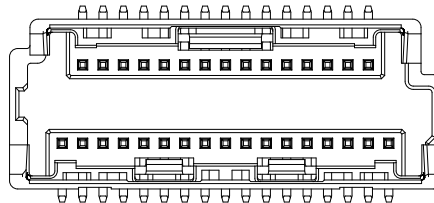
Color : K ... Black, LE ... Light blue

Keying : A ... Type A, B ... Type B

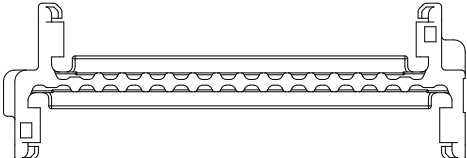
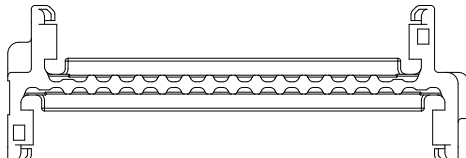
GX Family Series /GX·GXW CONNECTORS

Keying

• GXW connector Header

Keying		Type A		Type B	
Shape					
Model No.	32-circuit	Black	BM32B-GXWKS-A-TF	Light blue	BM32B-GXWLES-B-TF
	36-circuit		BM36B-GXWKS-A-TF		BM36B-GXWLES-B-TF
	40-circuit		BM40B-GXWKS-A-TF		BM40B-GXWLES-B-TF

• GXW connector Socket holder

Keying		Type A		Type B	
Shape					
Model No.	32-circuit	Black	GXWH-32-K-A	Light blue	GXWH-32-LE-B
	36-circuit		GXWH-36-K-A		GXWH-36-LE-B
	40-circuit		GXWH-40-K-A		GXWH-40-LE-B