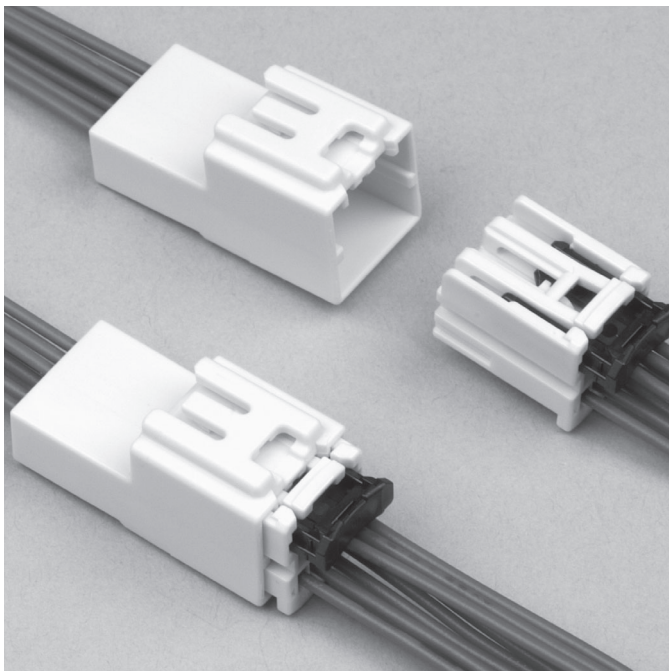
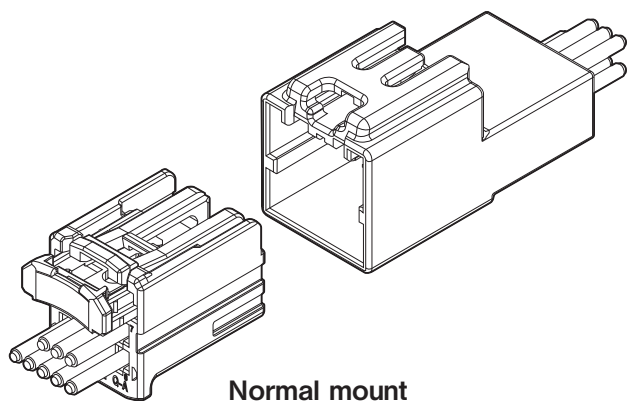


HIC CONNECTOR

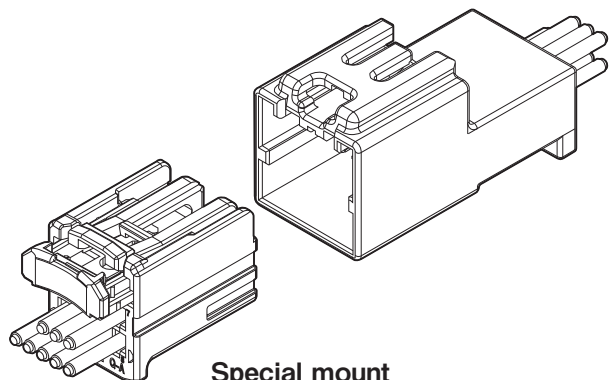
Wire-to-wire



This wire-to-wire connector for air-bag has CPA, which allows locking the connector, incomplete mating detection and release of short-circuit at the same time.



Normal mount



Special mount

■ Features

- 4 types are available, it enables to select with various specifications to automobile.

Normal mount, with short terminal
Normal mount, without short terminal
Special mount, with short terminal
Special mount, without short terminal

- Incomplete mating detection mechanism

Mis-insertion and insertion error at the assembly line can detect with a CPA housing.

- Terminal construction

It is designed to prevent the deformation of the contact part when processing wire harness by protecting the contact part of each terminal with a box.

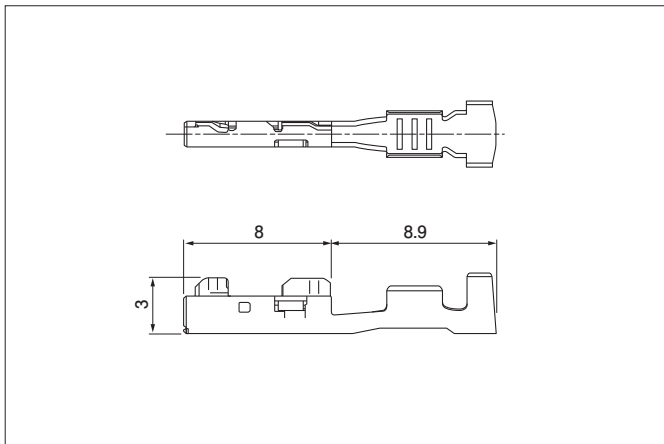
■ Specifications

- Current rating: 5A AC, DC (0.5mm², Single circuit)
- Voltage rating: 14V AC, DC
- Temperature range: -40°C to +100°C
(including temperature rise in applying electrical current)
- Contact resistance:
 - Female terminal; Initial value/8mΩ max.
After environmental testing/16mΩ max.
 - Short terminal; Initial value/50mΩ max.
After environmental testing/100mΩ max.
- Insulation resistance: 100MΩ min.
- Withstanding voltage: 1,000V AC/minute
- Applicable wire: AVSS
0.3mm² to 0.5mm²

* Compliant with ELV/RoHS.

* Contact JST for details.

Female terminal

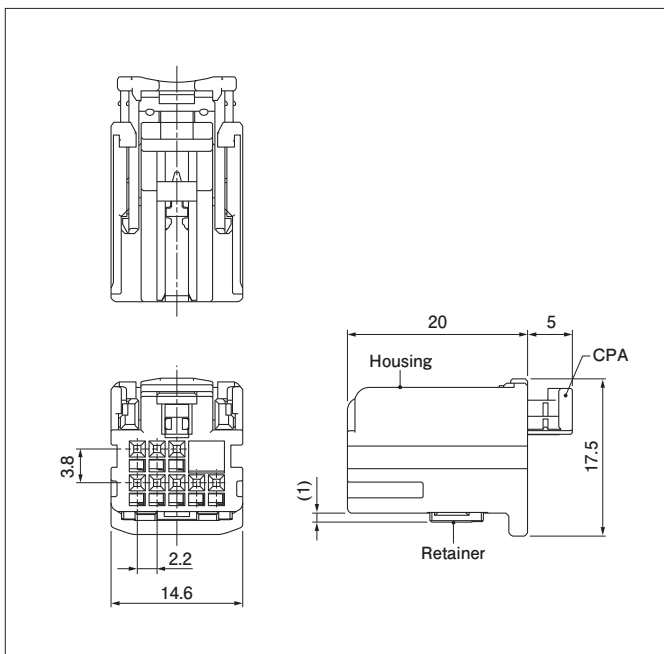


Model No.	Applicable wire range		Q'ty/reel
	Conductor (mm ²)	Insulation O.D. (mm)	
SNAC3-A021GF-M0.64-1	0.3 to 0.5	1.4 to 1.8	5,000

Material and Finish

Copper alloy, nickel-undercoated, Male contact area; gold-plated

Female connector

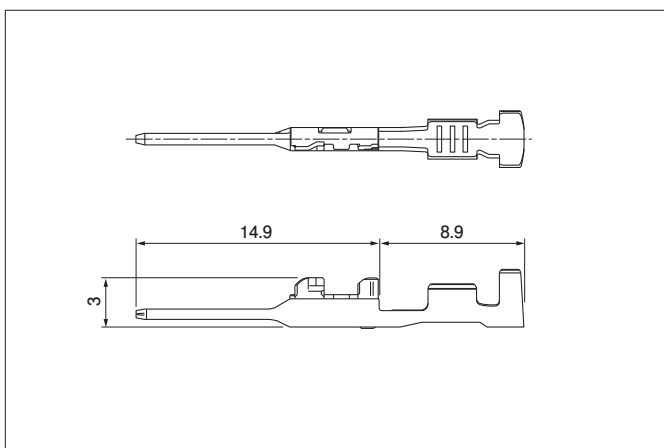


Circuits	Model No.	Q'ty/box
8	08HIC-R-1A	720

Material

Housing: PBT, yellow
Retainer: PBT, black
CPA housing: PBT, black

Male terminal



Model No.	Applicable wire range		Q'ty/reel
	Conductor (mm ²)	Insulation O.D. (mm)	
SNAC3W-A021GF-0.64	0.3 to 0.5	1.4 to 1.8	7,000

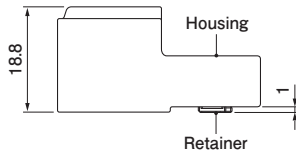
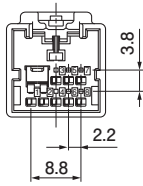
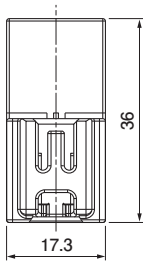
Material and Finish

Brass, nickel-undercoated, Female contact area; gold-plated,
Short terminal contact area; gold-plated

HIC CONNECTOR

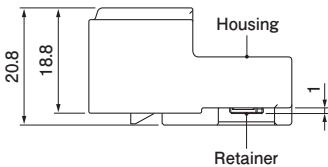
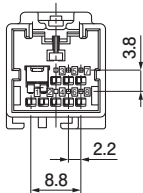
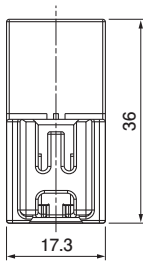
Male connector

●Normal mount



Model No.	
08HIC-P-1A	08HIC-P-1B
With short terminal	Without short terminal

●Special mount



Model No.	
08HIC-P-2A	08HIC-P-2B
With short terminal	Without short terminal

Circuits	Model No.	Q'ty/box
8	08HIC-P-1A	560
	08HIC-P-1B	
	08HIC-P-2A	
	08HIC-P-2B	

Material and Finish

Housing: PBT, yellow
 Retainer: PBT, black
 Short terminal: Copper alloy, nickel-undercoated,
 Contact area; gold-plated

Crimping machine, Applicator

Strip terminal	Crimping machine	Crimp applicator MKS-L	
		Dies	Crimp applicator with dies
SNAC3-A021GF-M0.64-1	AP-K2N	MK/SNAC3-A021-064	APLMK SNAC3-A021-064
SNAC3W-A021GF-0.64		MK/SNAC3W-A021-064	APLMK SNAC3W-A021-064

Note: When crimping operation is conducted using an applicator and die set other than the above, JST cannot guarantee the performance of the terminal.