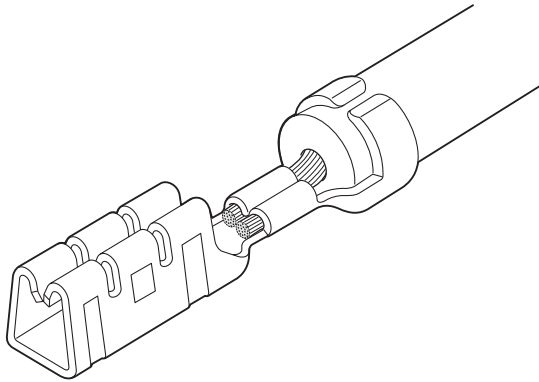




IG CONNECTOR



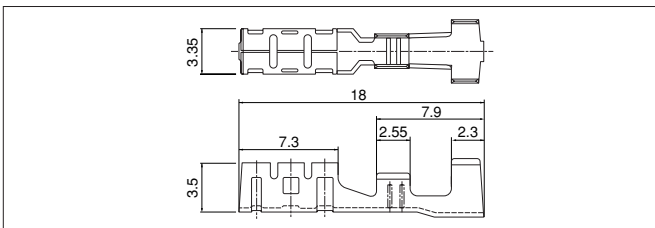
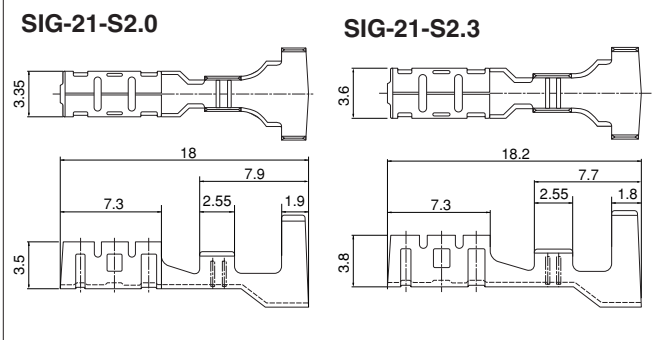
This is to connect ignition plug (size 2.0mm dia.) of the Hot Water Supply and Heater.

- Easy connection
- Reliable contact resistance
- Excellent durability

Specifications

- Current rating: 320mA AC, DC (Stainless steel)
5A AC, DC (Copper alloy)
- Voltage rating: 23KV AC, DC (Stainless steel)
200V AC, DC (Copper alloy)
- Temperature range: -20°C to +200°C (including temperature rise in applying electrical current) (Stainless steel)
-20°C to +150°C (including temperature rise in applying electrical current) (Copper alloy)
- Contact resistance: Initial value/100m Ω max.
After environmental testing/150m Ω max.
- Applicable wire: AWG #22 to #18
- * Compliant with RoHS.
- * Refer to "General Instruction and Notice when using Terminals and Connectors" at the end of this catalog.
- * Contact JST for details.

Contact



Model No.	Applicable wire		Insulation O.D. (mm)	Q'ty / reel
	Applicable wire	AWG#		
SIG-21-S2.0	0.3~0.89	22~18	3.5~5.5	4,000
SIG-21-S2.3	0.3~0.89	22~18	3.5~5.5	4,000

Material

Stainless steel

RoHS compliance

Model No.	Applicable wire		Insulation O.D. (mm)	Q'ty / reel
	mm ²	AWG#		
SIG-21T-M2.0T	0.3~0.89	22~18	1.2~3.5	4,000

Material and Finish

Copper alloy, tin-plated (reflow treatment)

RoHS compliance

Contact	Crimping machine	Applicator		
		Crimp applicator	Dies	Crimp applicator with dies
SIG-21-S2.0	AP-K2N	MK-L-SPS	MK/SIG-21-S20	APLMK SIG21-S20
		—	—	—
SIG-21-S2.3		MK-L-SPS	MK/SIG-21-S20	APLMK SIG21-S20
		—	—	—
SIG-21T-M2.0T		MK-L-SPS	MK/SIG-21-20T	APLMK SIG21-20T
		—	—	—