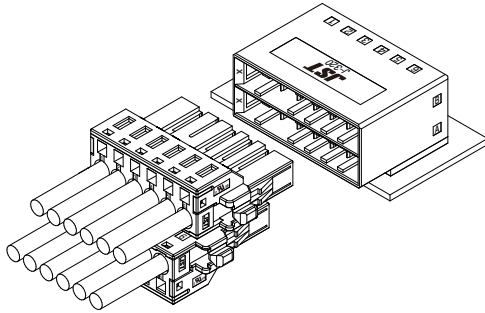


# J-FAT CONNECTOR

3.5/5/5.08/6.35/7.5/8/10/15 mm pitch/  
Wire-to-Board connectors (Spring Clamp)



The spring type connection structure provides easy wire connection operation with an open tool.

## Specifications

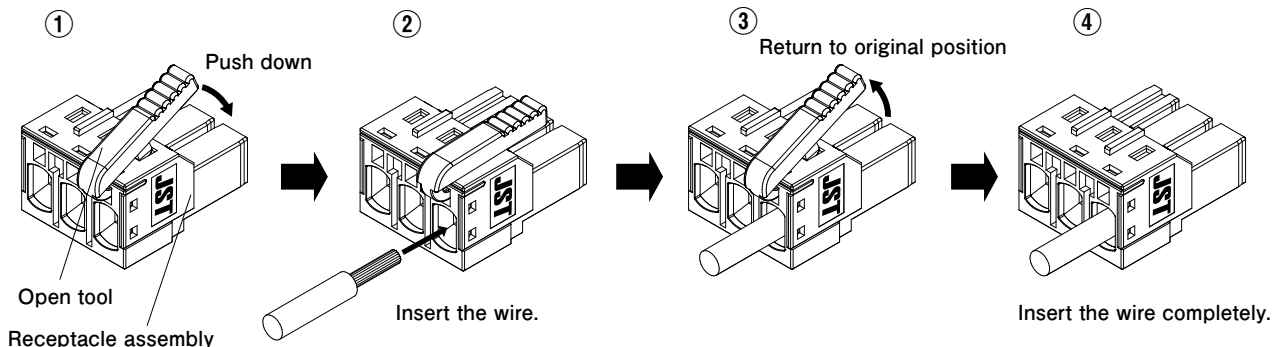
Current unit: A

Series name	No. of circuits	Current rating (AC/DC)								Voltage rating (AC/DC)	
		Wire size (AWG)									
		#8	#10	#12	#14	#16	#18	#20	#22		#24
Mini-J-FAT	2	-	-	-	-	-	-	7	6	5	250V
J-FAT-S-K	3	-	-	-	15	13	11	-	-	-	300V
	6	-	-	-	12	11	9	-	-	-	
J-FAT-S-H	5	-	-	-	13.5	11.5	9.5	-	-	-	300V
	9	-	-	-	12	11	9	-	-	-	
J-FAT-S-A	3	-	-	-	13	12.25	10.5	-	-	-	300V
	4	-	-	-	12	11.25	10	-	-	-	
	5	-	-	-	11.25	10.5	9.5	-	-	-	
	6	-	-	-	10.5	9.75	9	-	-	-	
	10	-	-	-	9.25	8.5	8	-	-	-	
J-FAT-S-F	6	-	-	-	9.75	9.75	9	-	-	-	300V
J-FAT-S-G	4	-	-	-	11.25	11.25	10	-	-	-	
J-FAT-S-KT	3	-	-	20	15	13	11	-	-	-	400V
J-FAT-S-KM	5	-	-	-	15	13	10	-	-	-	
	7	-	-	-	15	13	10	-	-	-	
J-FAT-S-4300	3	-	-	20	17	15	-	-	-	-	600V
J-FAT-S-XL	3	-	23	21	18	15	-	-	-	-	
	5	-	21	18	16	14	-	-	-	-	
	6	-	21	18	16	14	-	-	-	-	
J-FAT-S-P	7	-	21	18	16	13	-	-	-	-	
J-FAT-S-P	3	43	30	21	18	15	-	-	-	-	

Note) Please note that the above general specifications may differ from safety standards.

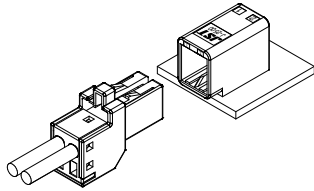
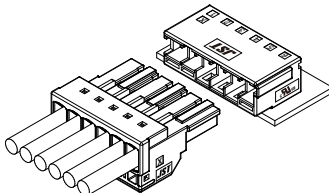
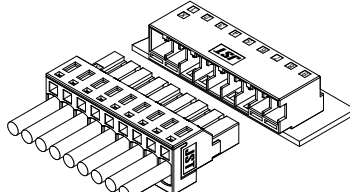
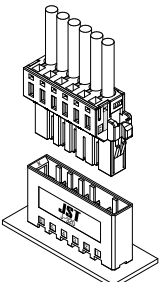
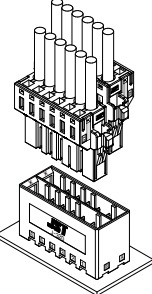
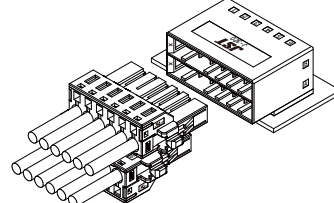
- \* Please refer to the "Handling Precautions for Terminals and Connectors" on our website (listed in the "Technical Documents" column on the Product Information page) before use.
- \* RoHS2 compliance
- \* Dimensional unit: mm
- \* Contact JST for details.

## Wire connection method



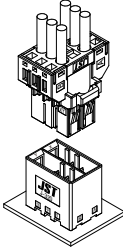
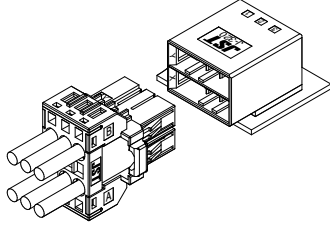

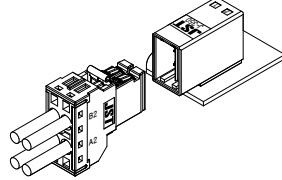

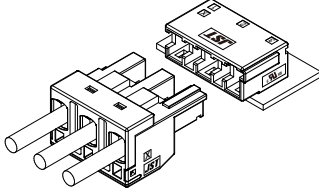
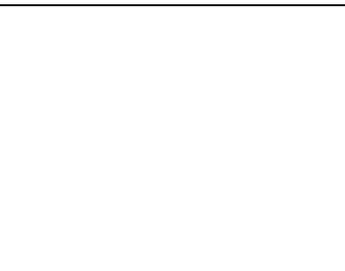
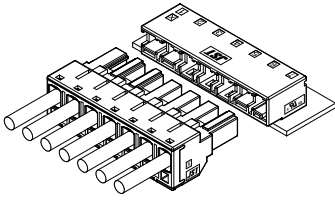
# J-FAT CONNECTOR

## J-FAT connector Product line-up

Voltage rating	Pitch between circuits	Series name	Top entry type	Side entry type	Applicable wire	
250 V	3.5 mm	Mini-J-FAT		 <p>(Applicable header: JFA J2500 header)</p>	AWG#24 to AWG#20	
				No. of circuits		2
300 V	5 mm 7.5 mm	J-FAT-S-K		 <p>(Applicable header: J-FAT-S-K header)</p>	AWG#18 to AWG#14	
				No. of circuits		3, 6
	5 mm	J-FAT-S-H				 <p>(Applicable header: J-FAT-S-H header)</p>
						No. of circuits
	5.08 mm	J-FAT-S-A				 <p>(Applicable header: JFA J320S header)</p>
						No. of circuits
No. of circuits					3, 4, 5, 6	
 <p>(Applicable header: JFA J320M header)</p>						
No. of circuits	6, 10, 12	 <p>(Applicable header: JFA J320M header)</p>				
No. of circuits	6, 10, 12					

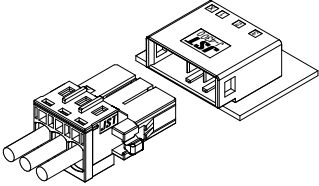
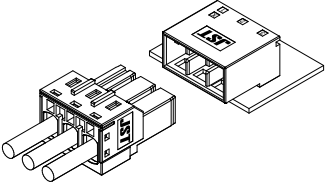
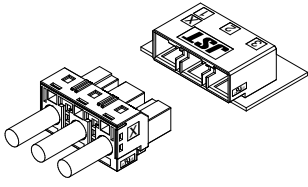
# J-FAT CONNECTOR

## J-FAT connector Product line-up

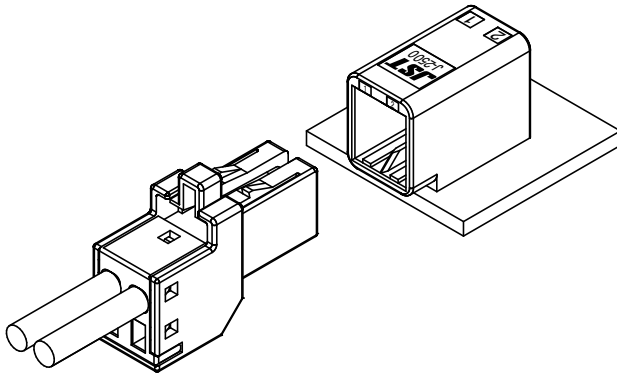
Voltage rating	Pitch between circuits	Series name	Top entry type	Side entry type	Applicable wire
300 V	5.08 mm	J-FAT-S-F	 (Applicable header: JFA J320M header)	 (Applicable header: JFA J320M header)	AWG#18 to AWG#14
			No. of circuits	6	
	J-FAT-S-G	 (Applicable header: JFA J350D header)	 (Applicable header: JFA J350D header)	No. of circuits	4
	10 mm	J-FAT-S-KT	 (Applicable header: J-FAT-S-KT header)	 (Applicable header: J-FAT-S-KT header)	AWG#18 to AWG#12
				No. of circuits	3
400 V	7.5 mm	J-FAT-S-KM	 (Applicable header: J-FAT-S-KM header)	 (Applicable header: J-FAT-S-KM header)	AWG#18 to AWG#14
				No. of circuits	5, 7

# J-FAT CONNECTOR

## J-FAT connector Product line-up

Voltage rating	Pitch between circuits	Series name	Top entry type	Side entry type	Applicable wire
600 V	6.35 mm	J-FAT-S-4300		 <p>(Applicable header: JFA J4300 header)</p> <p>No. of circuits      3</p>	AWG#16 to AWG#12
	8 mm	J-FAT-S-XL		 <p>(Applicable header: J-FAT-S-L header)</p> <p>No. of circuits      3, 5, 6, 7</p>	AWG#16 to AWG#10
	15 mm	J-FAT-S-P		 <p>(Applicable header: J-FAT-S-P header)</p> <p>No. of circuits      3</p>	AWG#16 to AWG#8

# J-FAT CONNECTOR/Mini Series



## Specifications

- Current rating: AC/DC

Current unit: A

Wire size (AWG)		
#20	#22	#24
7	6	5

- Voltage rating: 250 V AC/DC
- Temperature range: -55°C to +105°C (Including temperature rise in applying electrical current)
- Contact resistance: Initial value / 20 mΩ max.  
After environmental tests / 40 mΩ max.
- Insulation resistance: Initial value / 1,000 MΩ min.  
After environmental tests / 100 MΩ min.
- Withstanding voltage: There shall be no breakdown or flashover while applying 1.500 VAC for one minute.
- Applicable wire range: AWG #24 to AWG #20
- Applicable PC board thickness: 1.6 mm

Note) Please note that the above general specifications may differ from safety standards.

- \* Please refer to the "Handling Precautions for Terminals and Connectors" on our website (listed in the "Technical Documents" column on the Product Information page) before use.

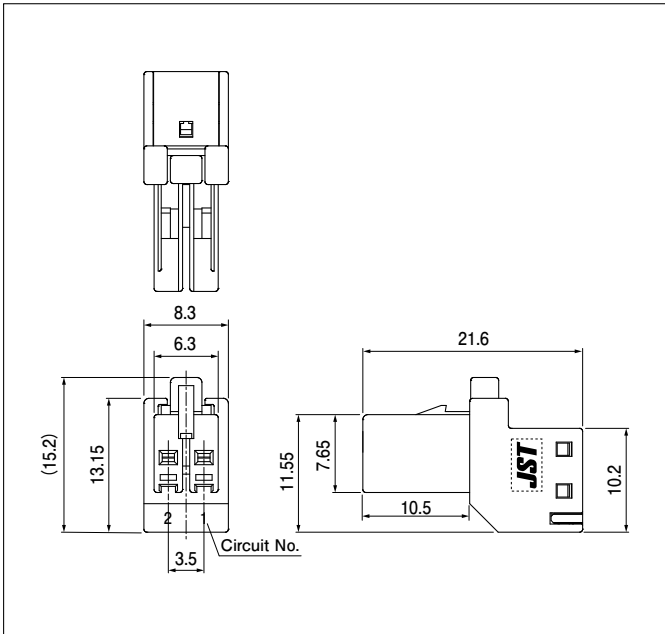
- \* RoHS2 compliance
- \* Dimensional unit : mm
- \* Contact JST for details.

## Assembly layout

		Mini-J-FAT Receptacle assembly
JFA J2500 Header	Normal type	
	Reverse type	

# J-FAT CONNECTOR/Mini Series

## Receptacle assembly

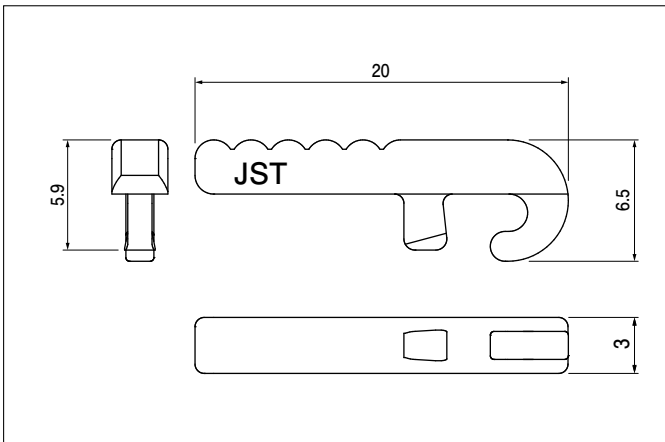


No. of circuits	Keying	Model No.	Q'ty/box
2	-	02MJFAT-SAGF	270

### Material and Surface finish, etc.

Receptacle contact: Copper alloy,  
nickel-undercoated, selective gold-plated  
Housing: PBT (Glass-filled), UL94V-0, black  
Cover: PBT (Glass-filled), UL94V-0, black  
Spring: Stainless

## Open tool



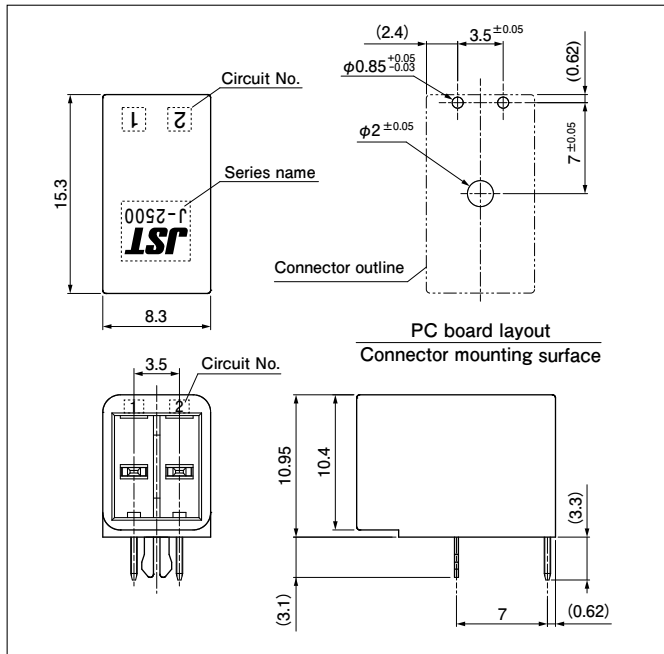
Model No.	Q'ty/bag
MJFAT-OT	1,000

### Material and Surface finish, etc.

PA (Glass-filled)

# J-FAT CONNECTOR/Mini Series

## Header (Side entry type)



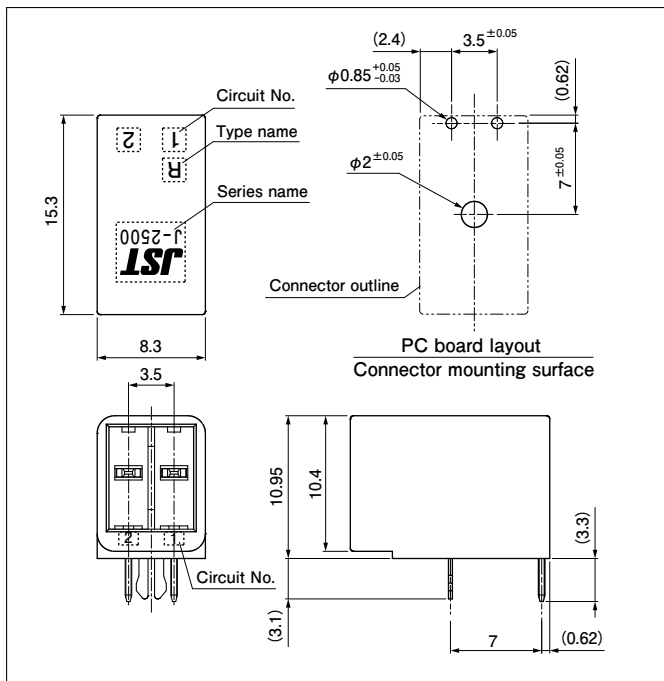
No. of circuits	Keying	Model No.	Q'ty/box
2	-	S02B-J25SK-GGR	364

### Material and Surface finish, etc.

Tab contact: Copper alloy,  
nickel-undercoated, selective gold-plated  
Housing: PBT (Glass-filled), UL94V-0, black  
Reinforcement: Copper alloy,  
nickel-undercoated, selective gold-plated

Note) This product displays (LF)(AU) on a label.

## Header (Side entry type/Reverse type)



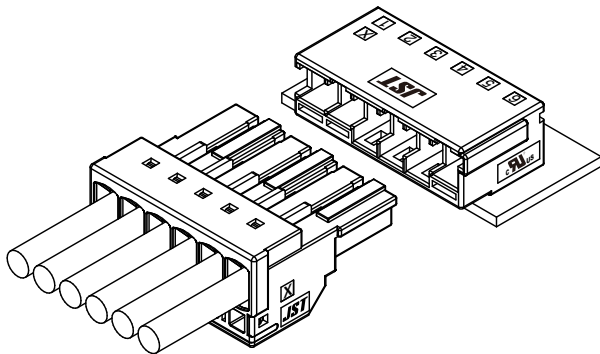
No. of circuits	Keying	Model No.	Q'ty/box
2	-	SR02B-J25SK-GGR	364

### Material and Surface finish, etc.


Tab contact: Copper alloy,  
nickel-undercoated, selective gold-plated  
Housing: PBT (Glass-filled), UL94V-0, black  
Reinforcement: Copper alloy,  
nickel-undercoated, selective gold-plated

Note) This product displays (LF)(AU) on a label.

# J-FAT CONNECTOR / S-K Series



## Standards

 : Recognized E 239668

\* Please contact JST for details on the above safety standards.

## Specifications

• Current rating : AC/DC

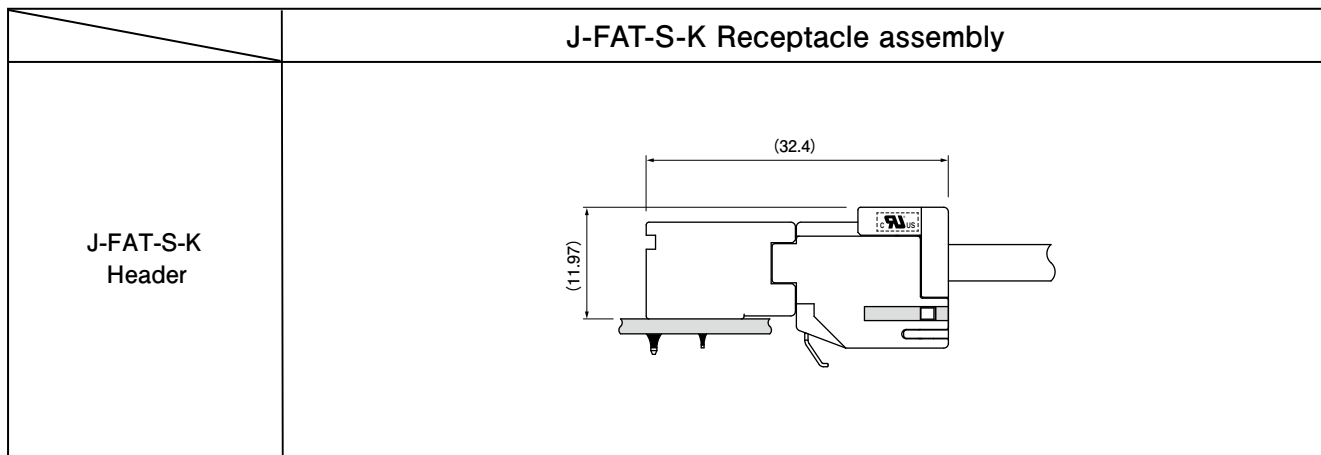
No. of circuits	Wire size (AWG)		
	# 14	# 16	# 18
3	15	13	11
6	12	11	9

- Voltage rating: 300 V AC/DC
- Temperature range: -55°C to +105°C (Including temperature rise in applying electrical current)
- Contact resistance: Initial value / 20 mΩ max.  
After environmental tests / 40 mΩ max.
- Insulation resistance: Initial value / 1,000 MΩ min.  
After environmental tests / 100 MΩ min.
- Withstanding voltage: There shall be no breakdown or flashover while applying 2,200 VAC for one minute.
- Applicable wire range: AWG #18 to AWG #14
- Applicable PC board thickness: 1.6 mm

Note) Please note that the above general specifications may differ from safety standards.

- \* Please refer to the "Handling Precautions for Terminals and Connectors" on our website (listed in the "Technical Documents" column on the Product Information page) before use.
- \* RoHS2 compliance
- \* Dimensional unit: mm
- \* Contact JST for details.

## Assembly layout

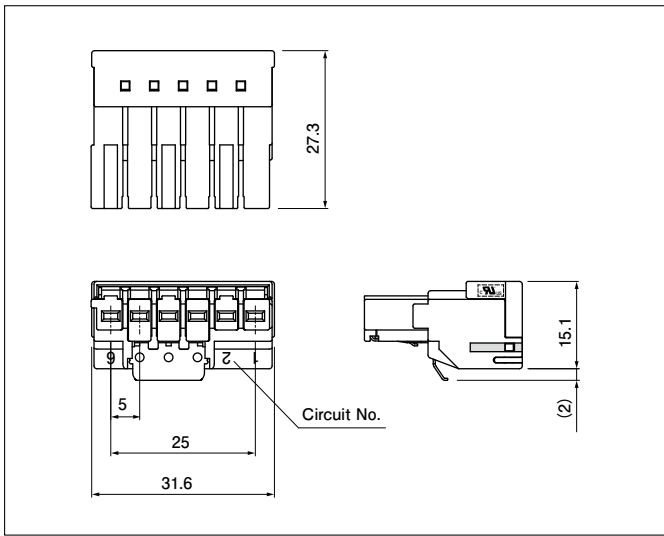




# J-FAT CONNECTOR / S-K Series

## J-FAT-S-K5.0

### Receptacle assembly

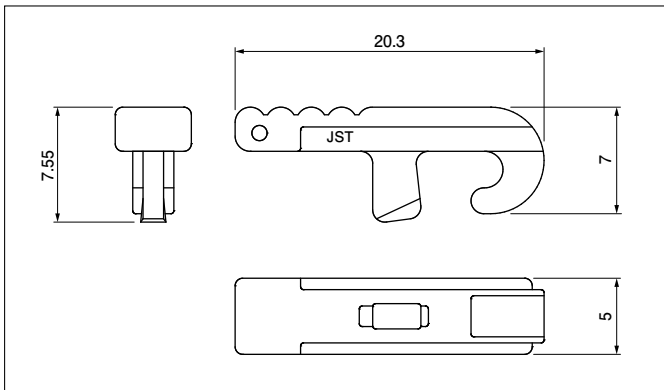


No. of circuits	Keying	Model No.	Q'ty/box
6	X	06JFAT-SAXGDK-K5.0	216

#### Material and Surface finish, etc.

Receptacle contact: Copper alloy,  
nickel-undercoated, selective gold-plated  
Housing: PBT (Glass-filled), UL94V-0, black  
Cover: PBT (Glass-filled), UL94V-0, black  
Spring: Stainless  
Lock lever: Stainless

### Open tool



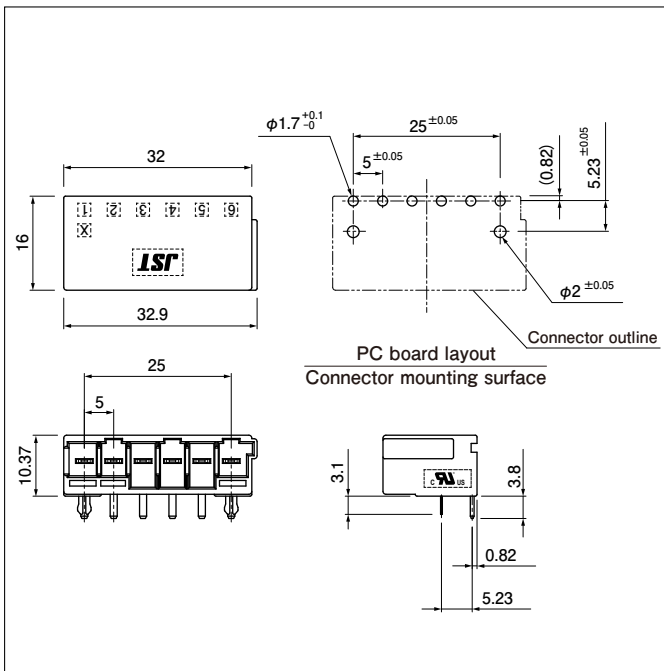
Model No.	Q'ty/box
J-FAT-OT (N)	1,000

#### Material and Surface finish, etc.

PA (Glass-filled)

Note) Not UL listed.

### Header (Side entry type)



No. of circuits	Keying	Model No.	Q'ty/box
6	X	SC06B-JTSK5.0SK-GEXKR	216

#### Material and Surface finish, etc.

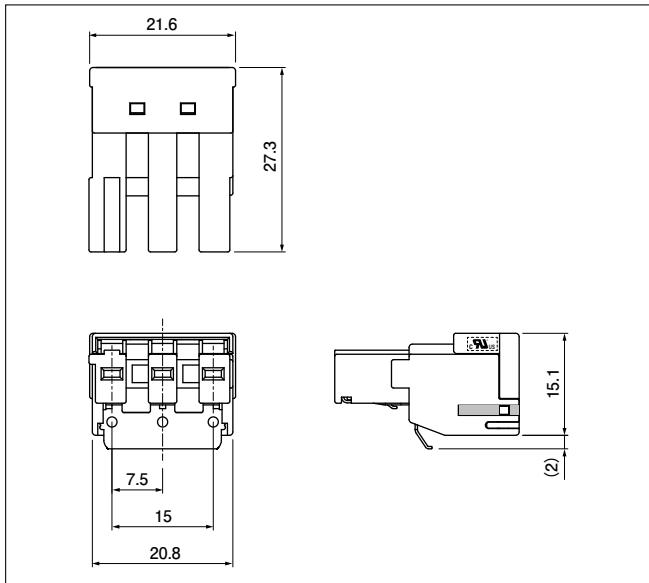
Tab contact: Copper alloy,  
nickel-undercoated, selective gold-plated  
Housing: PA (Glass-filled), UL94V-0, black  
Reinforcement: Copper alloy,  
nickel-undercoated, selective gold-plated

Note) This product displays (A) on a label.

# J-FAT CONNECTOR / S-K Series

## J-FAT-S-K7.5

### Receptacle assembly

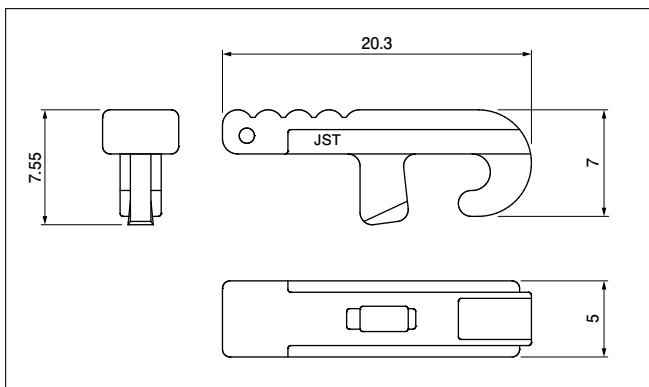


No. of circuits	Keying	Model No.	Q'ty/box
3	X	03JFAT-SAXGDK-K7.5	336

#### Material and Surface finish, etc.

Receptacle contact: Copper alloy,  
nickel-undercoated, selective gold-plated  
Housing: PBT (Glass-filled), UL94V-0, black  
Cover: PBT (Glass-filled), UL94V-0, black  
Spring: Stainless  
Lock lever: Stainless

### Open tool



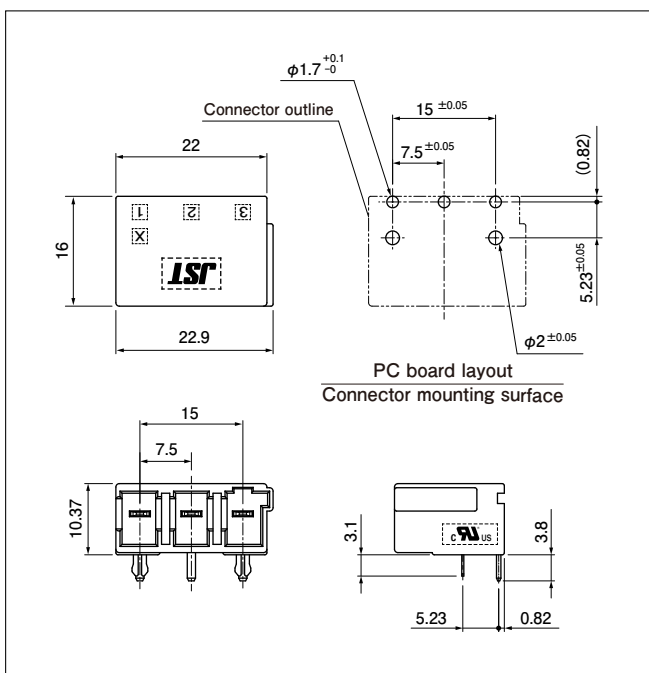
Model No.	Q'ty/box
J-FAT-OT (N)	1,000

#### Material and Surface finish, etc.

PA (Glass-filled)

Note) Not UL listed.

### Header (Side entry type)

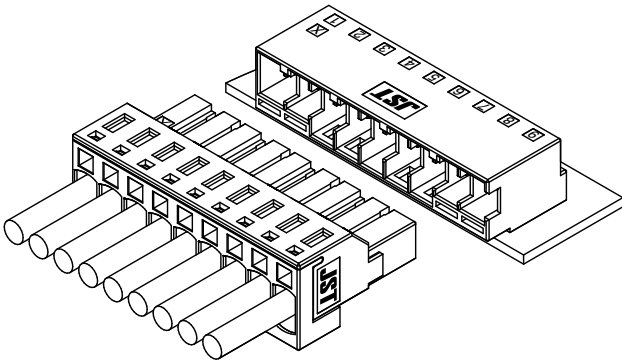


No. of circuits	Keying	Model No.	Q'ty/box
3	X	SC03B-JTSK7.5SK-GEXKR	324


#### Material and Surface finish, etc.

Tab contact: Copper alloy,  
nickel-undercoated, selective gold-plated  
Housing: PBT (Glass-filled), UL94V-0, black  
Reinforcement: Copper alloy,  
nickel-undercoated, selective gold-plated

# J-FAT CONNECTOR / S-H Series



## Standards

 : Recognized E 239668

\* Please contact JST for details on the above safety standards.

## Specifications

• Current rating : AC/DC

Current unit: A

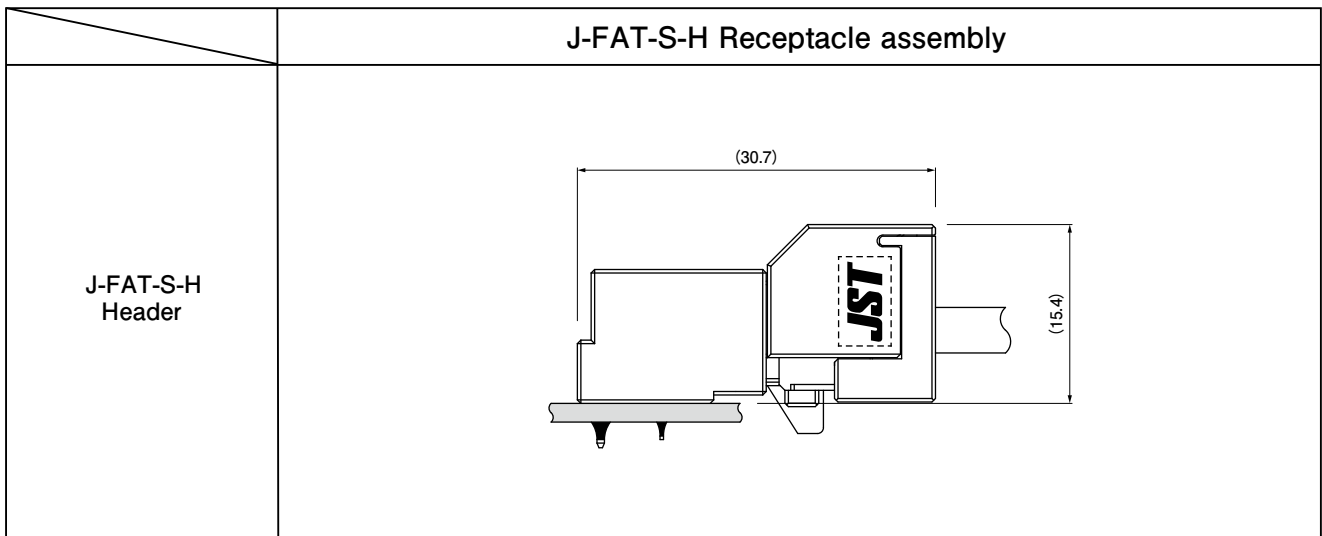
No. of circuits	Wire size (AWG)		
	# 14	# 16	# 18
5	13.5	11.5	9.5
9	12	11	9

- Voltage rating: 300 V AC/DC
- Temperature range: -55°C to +105°C (Including temperature rise in applying electrical current)
- Contact resistance: Initial value / 20 mΩ max.  
After environmental tests / 40 mΩ max.
- Insulation resistance: Initial value / 1,000 MΩ min.  
After environmental tests / 100 MΩ min.
- Withstanding voltage: There shall be no breakdown or flashover while applying 2,200 VAC for one minute.
- Applicable wire range: AWG #18 to AWG #14
- Applicable PC board thickness: 1.6 mm to 2.4 mm

Note) Please note that the above general specifications may differ from safety standards.

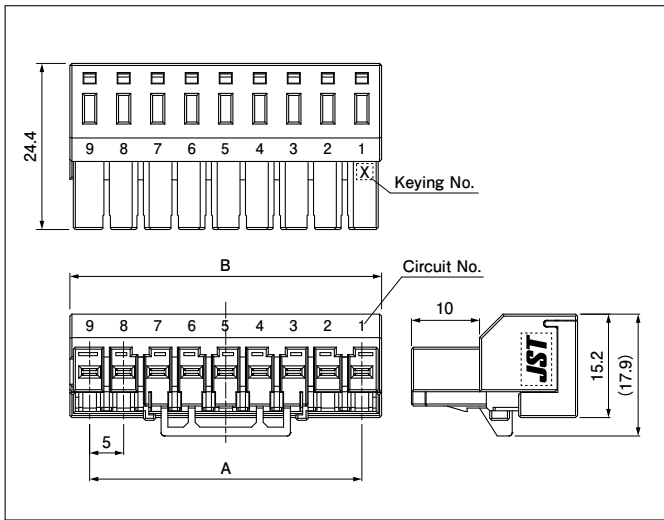
- \* Please refer to the "Handling Precautions for Terminals and Connectors" on our website (listed in the "Technical Documents" column on the Product Information page) before use.
- \* RoHS2 compliance
- \* Dimensional unit: mm
- \* Contact JST for details.

## Assembly layout



# J-FAT CONNECTOR /S-H Series

## Receptacle assembly

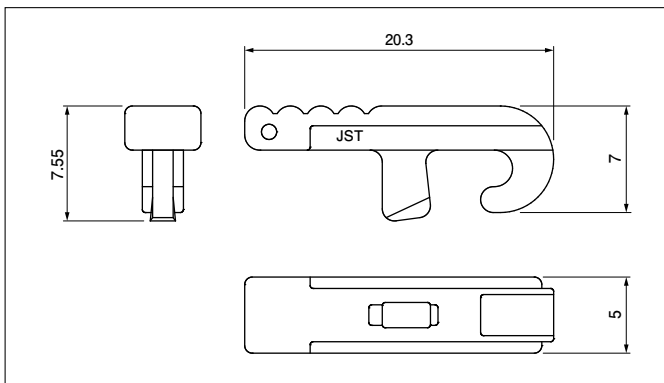


No. of circuits	Keying	Model No.	Dimensions (mm)		Q'ty/box
			A	B	
5	X	05JFAT-SAXGDK-H5.0	20	25.8	198
9	X	09JFAT-SAXGDK-H5.0	40	45.8	108

### Material and Surface finish, etc.

Receptacle contact: Copper alloy,  
nickel-undercoated, selective gold-plated  
Housing: PBT (Glass-filled), UL94V-0, black  
Cover: PBT (Glass-filled), UL94V-0, black  
Spring: Stainless

## Open tool



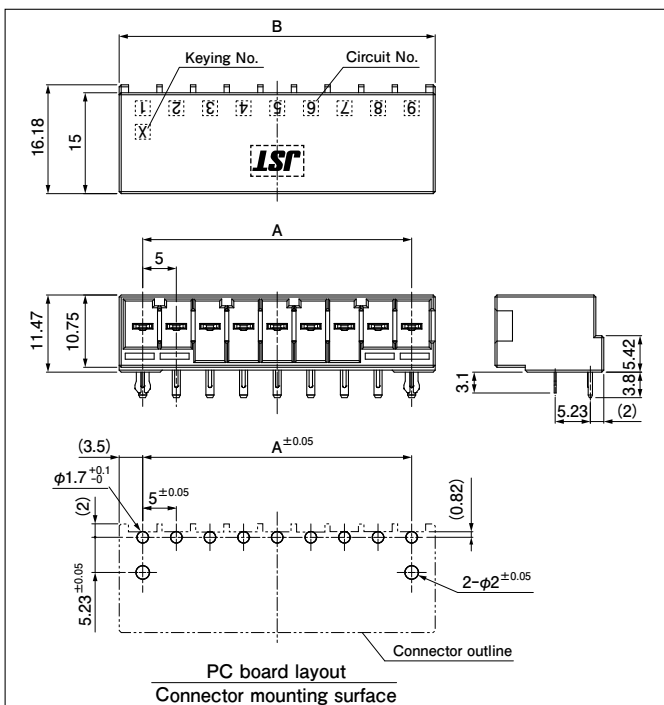
Model No.	Q'ty/box
J-FAT-OT (N)	1,000

### Material and Surface finish, etc.

PA (Glass-filled)

Note) Not UL listed.

## Header (Side entry type)

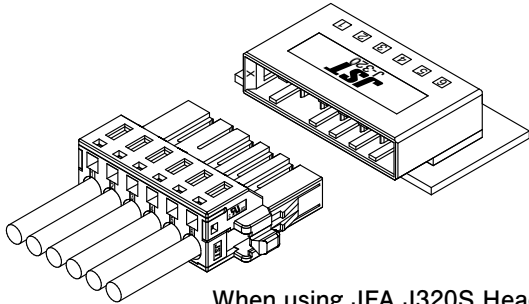


No. of circuits	Keying	Model No.	Dimensions (mm)		Q'ty/box
			A	B	
5	X	S05B-JTSH5.0SK-GEXKR	20	27	270
9	X	S09B-JTSH5.0SK-GEXKR	40	47	162

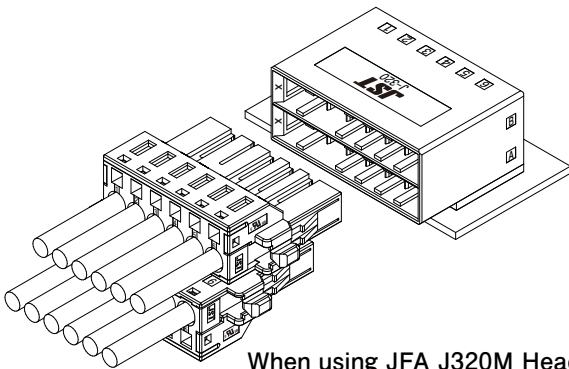
### Material and Surface finish, etc.

Tab contact: Copper alloy,  
nickel-undercoated, selective gold-plated  
Housing: PBT (Glass-filled), UL94V-0, black  
Reinforcement: Copper alloy,  
nickel-undercoated, selective gold-plated

# J-FAT CONNECTOR / S-A Series



When using JFA J320S Header



When using JFA J320M Header

## Standards

UL : Recognized E 239668

\* Please contact JST for details on the above safety standards.

## Specifications

• Current rating : AC/DC

Current unit: A

No. of circuits	Wire size (AWG)		
	# 14	# 16	# 18
3	13	12.25	10.5
4	12	11.25	10
5	11.25	10.5	9.5
6	10.5	9.75	9
10	9.25	8.5	8
12	9	8.25	7.75

- Voltage rating: 300 V AC/DC
- Temperature range: -55°C to +105°C (Including temperature rise in applying electrical current)
- Contact resistance: Initial value / 20 mΩ max.  
After environmental tests / 40 mΩ max.
- Insulation resistance: Initial value / 1,000 MΩ min.  
After environmental tests / 100 MΩ min.
- Withstanding voltage: There shall be no breakdown or flashover while applying 2,200 VAC for one minute.
- Applicable wire range: AWG #18 to AWG #14
- Applicable PC board thickness: 1.6 mm to 2.4 mm

Note) Please note that the above general specifications may differ from safety standards.

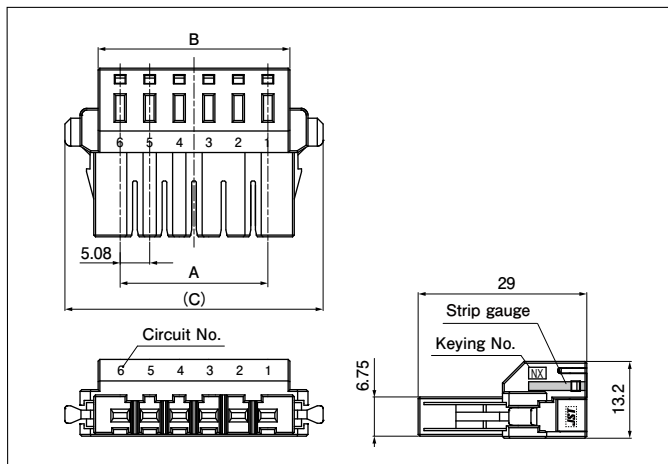
- \* Please refer to the "Handling Precautions for Terminals and Connectors" on our website (listed in the "Technical Documents" column on the Product Information page) before use.
- \* RoHS2 compliance
- \* Dimensional unit: mm
- \* Contact JST for details.

# J-FAT CONNECTOR / S-A Series

			J-FAT-S-A Receptacle assembly	
			Normal type	Reverse type
When using JFA J320S Header	Top entry type	Normal type		
	Side entry type	Normal type		
		Reverse type		
	When using JFA J320M Header	Top entry type	Normal type	
Side entry type		Normal type		

# J-FAT CONNECTOR /S-A Series

## Receptacle assembly (Normal type)

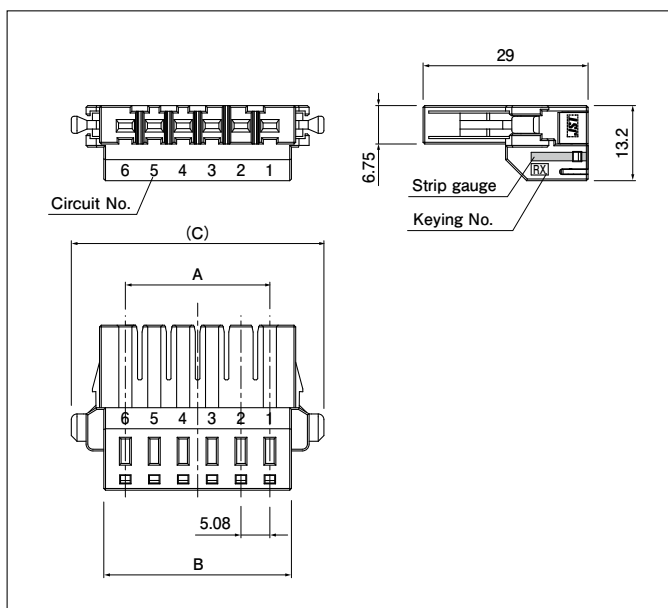


No. of circuits	Keying	Model No.	Dimensions (mm)			Q'ty/box
			A	B	C	
3	X	03JFAT-SAXGGKK-A	10.16	17.74	29.16	240
	Y	03JFAT-SAYGGKK-A	10.16	17.74	29.16	240
5	X	05JFAT-SAXGGKK-A	20.32	27.90	39.32	192
	Y	05JFAT-SAYGGKK-A	20.32	27.90	39.32	192
6	X	06JFAT-SAXGGKK-A	25.40	32.98	44.40	168
	Y	06JFAT-SAYGGKK-A	25.40	32.98	44.40	168

### Material and Surface finish, etc.

Receptacle contact: Copper alloy,  
nickel-undercoated, selective gold-plated  
Housing: PBT (Glass-filled), UL94V-0, black  
Cover: PBT (Glass-filled), UL94V-0, black  
Spring: Stainless

## Receptacle assembly (Reverse type)

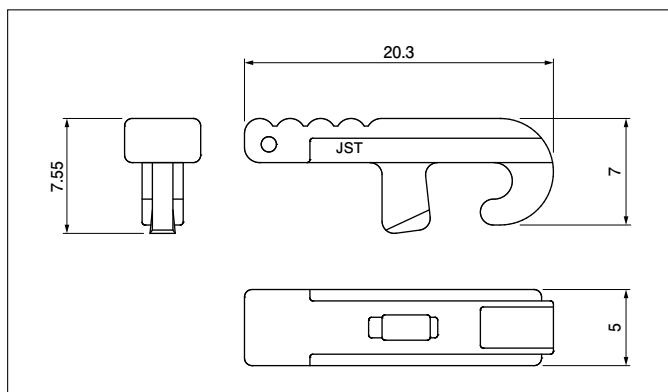


No. of circuits	Keying	Model No.	Dimensions (mm)			Q'ty/box
			A	B	C	
3	X	03JFAT-SBXGGKS-A	10.16	17.74	29.16	240
	Y	03JFAT-SBYGGKS-A	10.16	17.74	29.16	240
4	X	04JFAT-SBXGGKS-A	15.24	22.82	34.24	216
	Y	04JFAT-SBYGGKS-A	15.24	22.82	34.24	216
5	X	05JFAT-SBXGGKS-A	20.32	27.90	39.32	192
	Y	05JFAT-SBYGGKS-A	20.32	27.90	39.32	192
6	X	06JFAT-SBXGGKS-A	25.40	32.98	44.40	168
	Y	06JFAT-SBYGGKS-A	25.40	32.98	44.40	168

### Material and Surface finish, etc.

Receptacle contact: Copper alloy,  
nickel-undercoated, selective gold-plated  
Housing: PBT (Glass-filled), UL94V-0, black  
Cover: PBT (Glass-filled), UL94V-0, white  
Spring: Stainless

## Open tool



Model No.	Q'ty/box
J-FAT-OT(N)	1,000

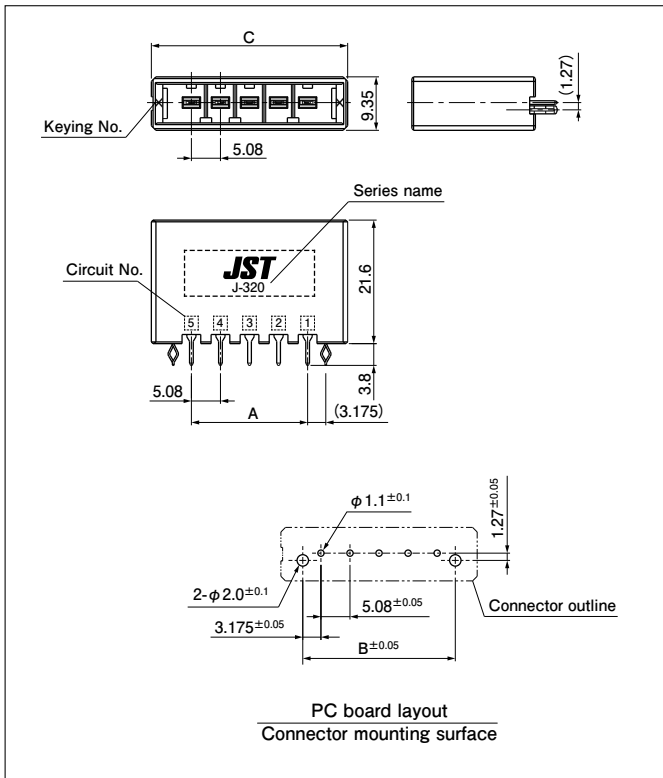
### Material and Surface finish, etc.

PA (Glass-filled)

Note) Not UL listed.

# J-FAT CONNECTOR /S-A Series

## Header (Top entry type)



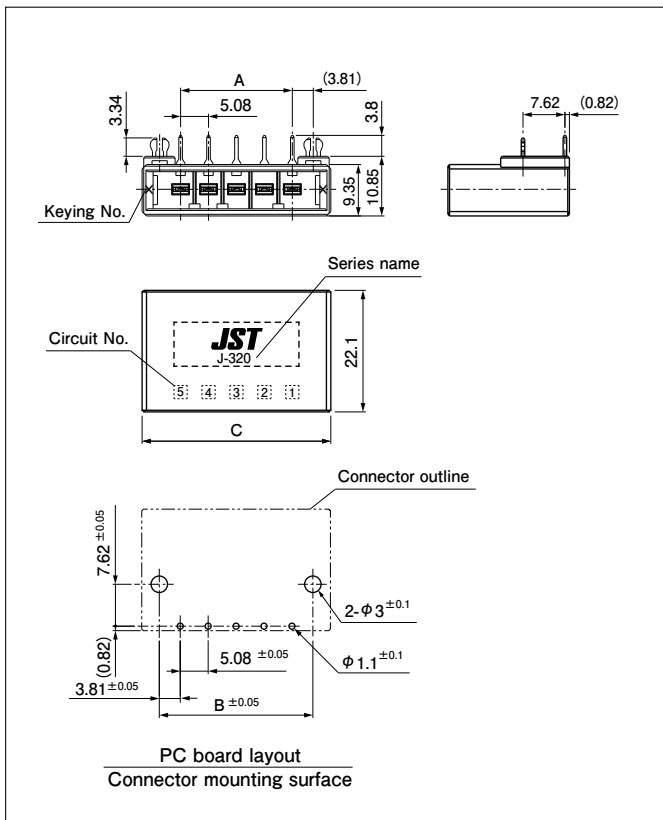
No. of circuits	Keying	Model No.	Dimensions (mm)			Q'ty/box
			A	B	C	
3	X	B03B-F32SK-GGXR	10.16	16.51	24.16	200
	Y	B03B-F32SK-GGYR	10.16	16.51	24.16	200
4	X	B04B-F32SK-GGXR	15.24	21.59	29.24	160
	Y	B04B-F32SK-GGYR	15.24	21.59	29.24	160
5	X	B05B-F32SK-GGXR	20.32	26.67	34.32	140
	Y	B05B-F32SK-GGYR	20.32	26.67	34.32	140
6	X	B06B-F32SK-GGXR	25.40	31.75	39.40	120
	Y	B06B-F32SK-GGYR	25.40	31.75	39.40	120

### Material and Surface finish, etc.

Tab contact: Copper alloy,  
nickel-undercoated, selective gold-plated  
Housing: PBT (Glass-filled), UL94V-0, black  
Reinforcement: Copper alloy,  
nickel-undercoated, selective gold-plated

Note) This product displays (LF)(AU) on a label.

## Header (Side entry type)



No. of circuits	Keying	Model No.	Dimensions (mm)			Q'ty/box
			A	B	C	
3	X	S03B-F32SK-GGXR	10.16	17.78	24.16	150
	Y	S03B-F32SK-GGYR	10.16	17.78	24.16	150
4	X	S04B-F32SK-GGXR	15.24	22.86	29.24	120
	Y	S04B-F32SK-GGYR	15.24	22.86	29.24	120
5	X	S05B-F32SK-GGXR	20.32	27.94	34.32	105
	Y	S05B-F32SK-GGYR	20.32	27.94	34.32	105
6	X	S06B-F32SK-GGXR	25.40	33.02	39.40	90
	Y	S06B-F32SK-GGYR	25.40	33.02	39.40	90

### Material and Surface finish, etc.

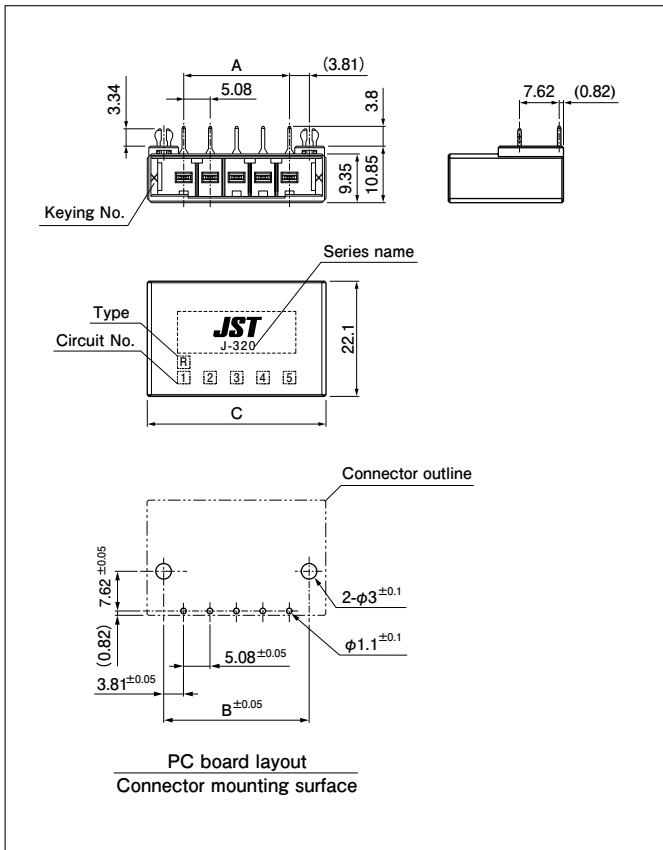
Tab contact: Copper alloy,  
nickel-undercoated, selective gold-plated  
Housing: PBT (Glass-filled), UL94V-0, black  
Reinforcement: Copper alloy,  
nickel-undercoated, selective gold-plated

Note) This product displays (LF)(AU) on a label.



# J-FAT CONNECTOR / S-A Series

## Header (Side entry type/Reverse type)



No. of circuits	Keying	Model No.	Dimensions (mm)			Q'ty/box
			A	B	C	
5	X	SR05B-F32SK-GGXR	20.32	27.94	34.32	105
6	X	SR06B-F32SK-GGXR	25.40	33.02	39.40	90

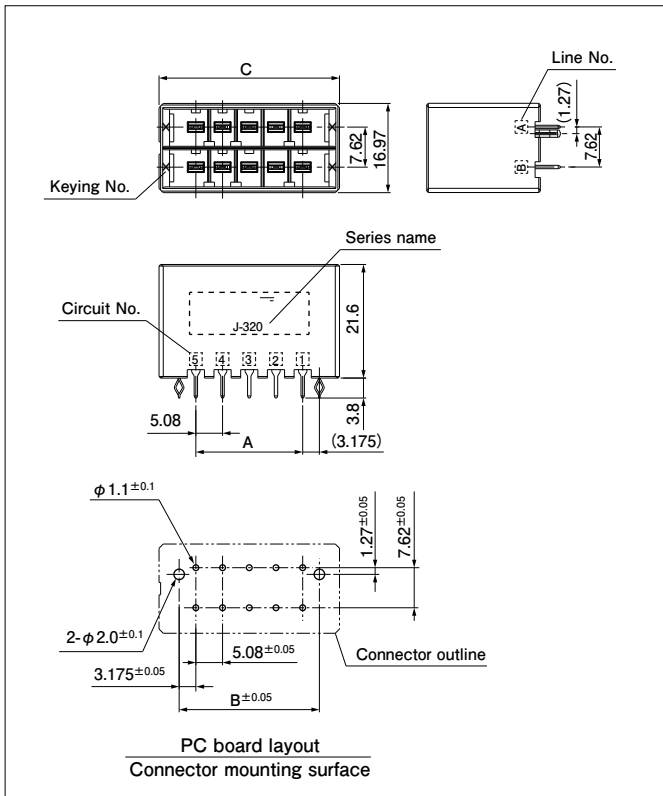
### Material and Surface finish, etc.

Tab contact: Copper alloy,  
nickel-undercoated, selective gold-plated  
Housing: PBT (Glass-filled), UL94V-0, black  
Reinforcement: Copper alloy,  
nickel-undercoated, selective gold-plated

Note) This product displays (LF)(AU) on a label.

# J-FAT CONNECTOR / S-A Series

## Header (Top entry type)



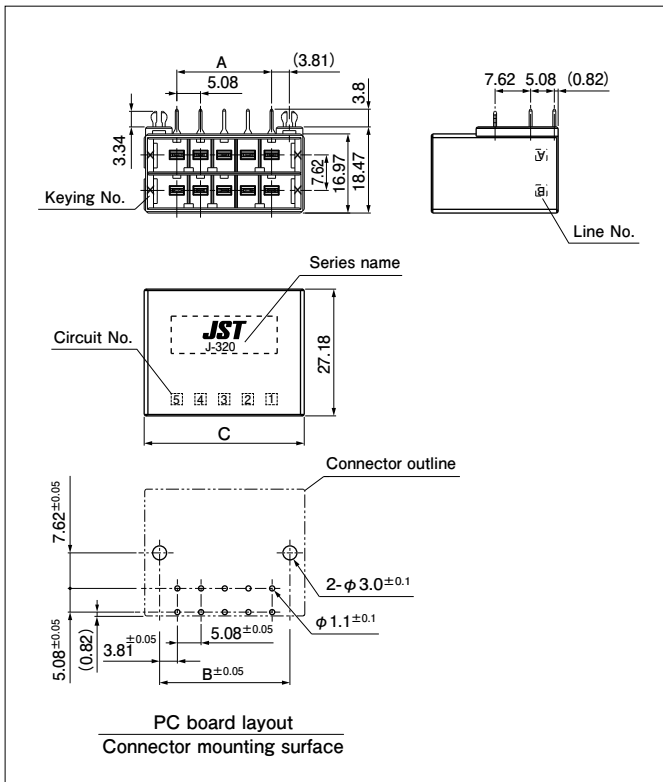
No. of circuits	Keying	Model No.	Dimensions (mm)			Q'ty/box
			A	B	C	
6	XX	B06B-F32MK-GGXRR	10.16	16.51	24.16	120
	YY	B06B-F32MK-GGYRR	10.16	16.51	24.16	120
	XY	B06B-F32MK-GGXRR	10.16	16.51	24.16	120
10	XX	B10B-F32MK-GGXRR	20.32	26.67	34.32	84
	YY	B10B-F32MK-GGYRR	20.32	26.67	34.32	84
	XY	B10B-F32MK-GGXRR	20.32	26.67	34.32	84
12	XX	B12B-F32MK-GGXRR	25.40	31.75	39.40	72
	YY	B12B-F32MK-GGYRR	25.40	31.75	39.40	72
	XY	B12B-F32MK-GGXRR	25.40	31.75	39.40	72

### Material and Surface finish, etc.

Tab contact: Copper alloy,  
nickel-undercoated, selective gold-plated  
Housing: PBT (Glass-filled), UL94V-0, black  
Reinforcement: Copper alloy,  
nickel-undercoated, selective gold-plated

Note) This product displays (LF)(AU) on a label.

## Header (Side entry type)



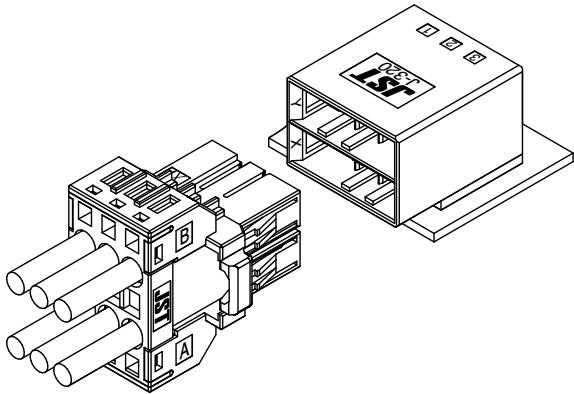
No. of circuits	Keying	Model No.	Dimensions (mm)			Q'ty/box
			A	B	C	
6	XX	S06B-F32MK-GGXRR	10.16	17.78	24.16	80
	YY	S06B-F32MK-GGYRR	10.16	17.78	24.16	80
	XY	S06B-F32MK-GGXRR	10.16	17.78	24.16	80
10	XX	S10B-F32MK-GGXRR	20.32	27.94	34.32	56
	YY	S10B-F32MK-GGYRR	20.32	27.94	34.32	56
	XY	S10B-F32MK-GGXRR	20.32	27.94	34.32	56
12	XX	S12B-F32MK-GGXRR	25.40	33.02	39.40	48
	YY	S12B-F32MK-GGYRR	25.40	33.02	39.40	48
	XY	S12B-F32MK-GGXRR	25.40	33.02	39.40	48

### Material and Surface finish, etc.

Tab contact: Copper alloy,  
nickel-undercoated, selective gold-plated  
Housing: PBT (Glass-filled), UL94V-0, black  
Reinforcement: Copper alloy, nickel-undercoated,  
selective gold-plated

Note) This product displays (LF)(AU) on a label.

# J-FAT CONNECTOR / S-F Series



## Standards

 : Recognized E 239668

\* Please contact JST for details on the above safety standards.

## Specifications

• Current rating : AC/DC

Current unit: A

Wire size (AWG)		
#14	#16	#18
9.75	9.75	9

- Voltage rating: 300 V AC/DC
- Temperature range: -55°C to +105°C (Including temperature rise in applying electrical current)
- Contact resistance: Initial value / 20 mΩ max.  
After environmental tests / 40 mΩ max.
- Insulation resistance: Initial value / 1,000 MΩ min.  
After environmental tests / 100 MΩ min.
- Withstanding voltage: There shall be no breakdown or flashover while applying 2,200 VAC for one minute.
- Applicable wire range: AWG #18 to AWG #14
- Applicable PC board thickness: 1.6 mm to 2.4 mm

Note) Please note that the above general specifications may differ from safety standards.

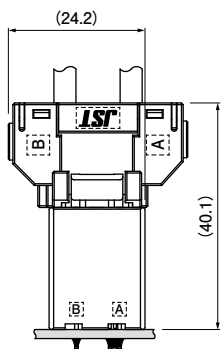
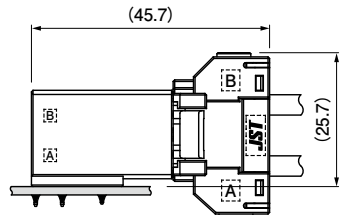
\* Please refer to the "Handling Precautions for Terminals and Connectors" on our website (listed in the "Technical Documents" column on the Product Information page) before use.

\* RoHS2 compliance

\* Dimensional unit: mm

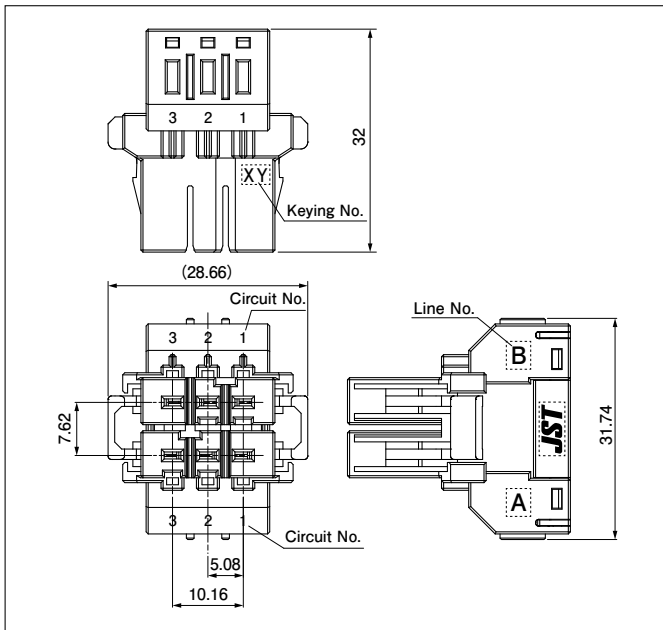
\* Contact JST for details.

## Assembly layout

		J-FAT-S-F Receptacle assembly
JFA J320M Header	Top entry type	
	Side entry type	

# J-FAT CONNECTOR / S-F Series

## Receptacle assembly

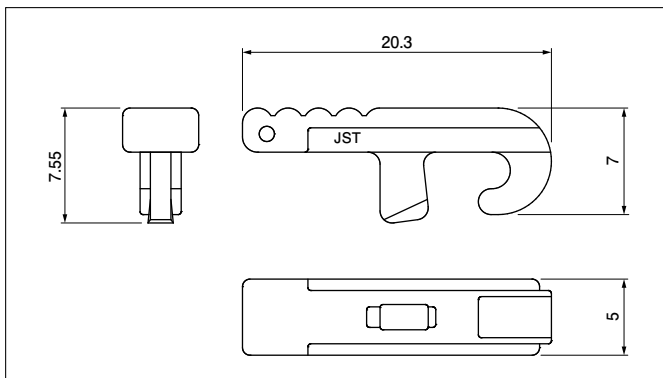


No. of circuits	Keying	Model No.	Q'ty/box
6	XY	06JFAT-SAXYGG-F-KK	140

### Material and Surface finish, etc.

Receptacle contact: Copper alloy,  
nickel-undercoated, selective gold-plated  
Housing: PBT (Glass-filled), UL94V-0, black  
Cover: PBT (Glass-filled), UL94V-0, black  
Spring: Stainless

## Open tool



Model No.	Q'ty/box
J-FAT-OT (N)	1,000

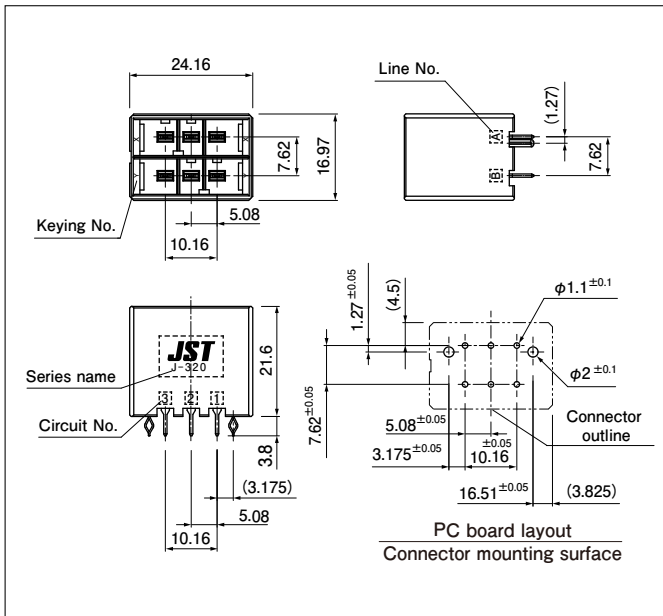
### Material and Surface finish, etc.

PA (Glass-filled)

Note) Not UL listed.

# J-FAT CONNECTOR / S-F Series

## Header (Top entry type)



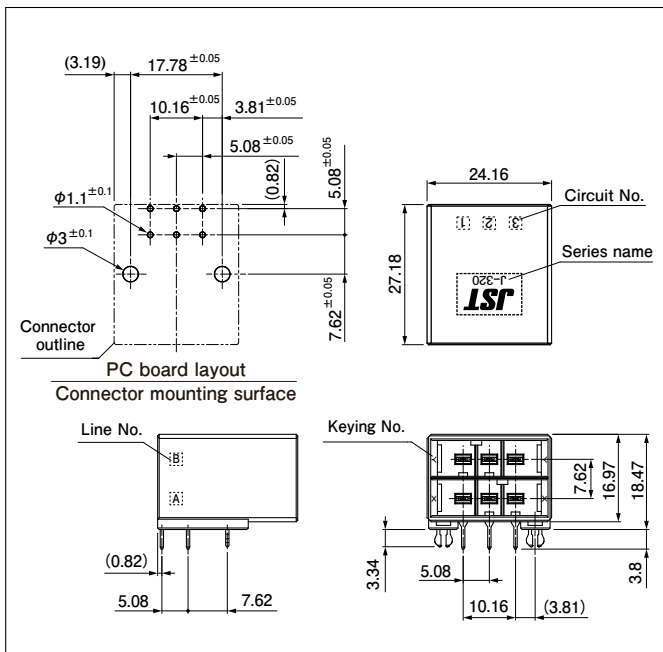
No. of circuits	Keying	Model No.	Q'ty/box
6	XY	B06B-F32MK-GGXJR	120

### Material and Surface finish, etc.

Tab contact: Copper alloy,  
nickel-undercoated, selective gold-plated  
Housing: PBT (Glass-filled), UL94V-0, black  
Reinforcement: Copper alloy,  
nickel-undercoated, selective gold-plated

Note) This product displays (LF)(AU) on a label.

## Header (Side entry type)



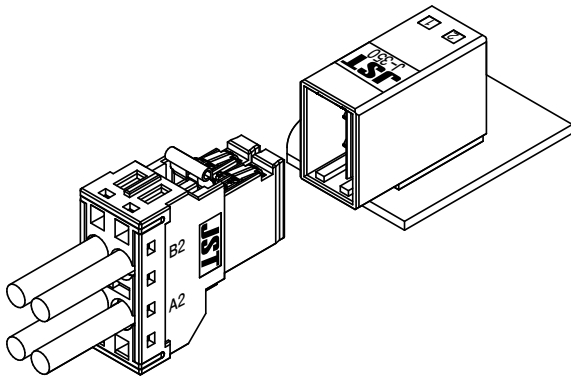
No. of circuits	Keying	Model No.	Q'ty/box
6	XY	S06B-F32MK-GGXJR	80

### Material and Surface finish, etc.

Tab contact: Copper alloy,  
nickel-undercoated, selective gold-plated  
Housing: PBT (Glass-filled), UL94V-0, black  
Reinforcement: Copper alloy,  
nickel-undercoated, selective gold-plated

Note) This product displays (LF)(AU) on a label.

# J-FAT CONNECTOR /S-G Series



## Standards

⚡ : Recognized E 239668

\* Please contact JST for details on the above safety standards.

## Specifications

• Current rating : AC/DC

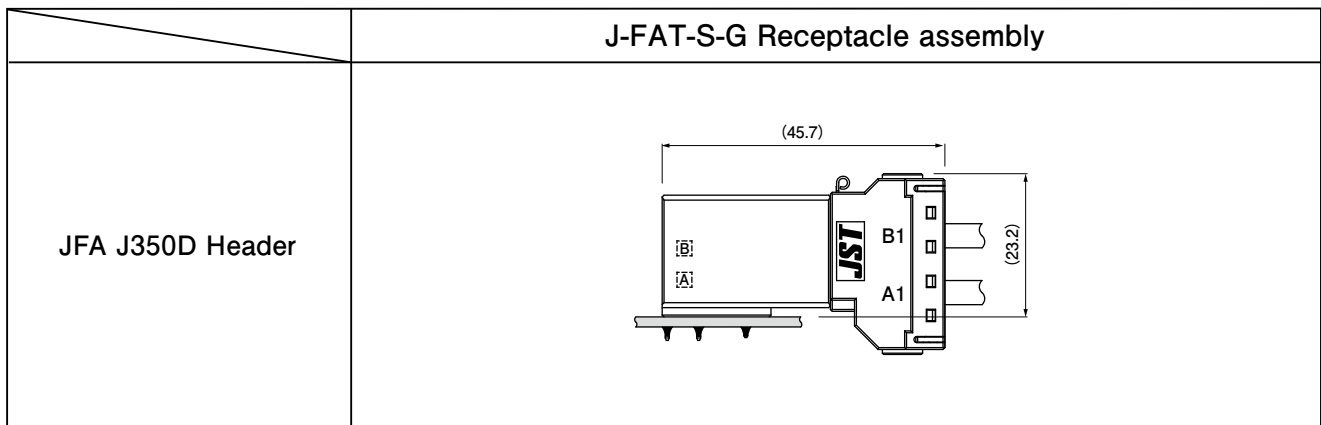
Current unit: A

Wire size (AWG)		
# 14	# 16	# 18
11.25	11.25	10

- Voltage rating: 300 V AC/DC
  - Temperature range: -55°C to +105°C (Including temperature rise in applying electrical current)
  - Contact resistance: Initial value / 20 mΩ max.  
After environmental tests / 40 mΩ max.
  - Insulation resistance: Initial value / 1,000 MΩ min.  
After environmental tests / 100 MΩ min.
  - Withstanding voltage: There shall be no breakdown or flashover while applying 2,200 VAC for one minute.
  - Applicable wire range: AWG #18 to AWG #14
  - Applicable PC board thickness: 1.6 mm to 2.4 mm
- Note) Please note that the above general specifications may differ from safety standards.

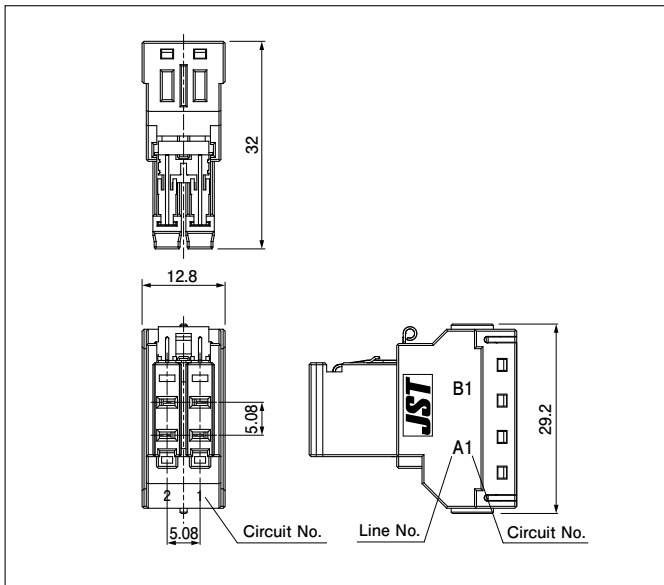
- \* Please refer to the "Handling Precautions for Terminals and Connectors" on our website (listed in the "Technical Documents" column on the Product Information page) before use.
- \* RoHS2 compliance
- \* Dimensional unit: mm
- \* Contact JST for details.

## Assembly layout



# J-FAT CONNECTOR / S-G Series

## Receptacle assembly

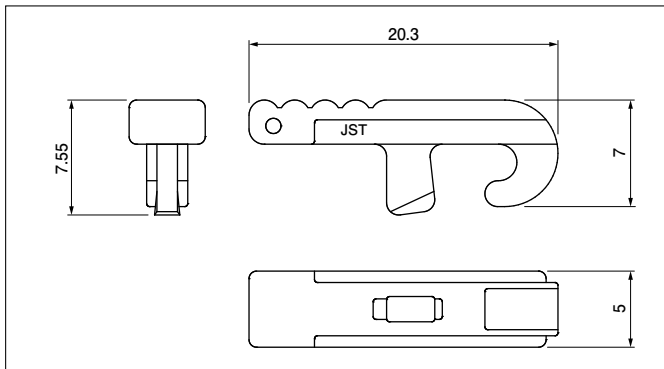


No. of circuits	Keying	Model No.	Q'ty/box
4	—	04JFAT-SAGG-G-KK	200

### Material and Surface finish, etc.

Receptacle contact: Copper alloy,  
nickel-undercoated, selective gold-plated  
Housing: PBT (Glass-filled), UL94V-0, black  
Cover: PBT (Glass-filled), UL94V-0, black  
Spring: Stainless  
Lock lever: Stainless

## Open tool



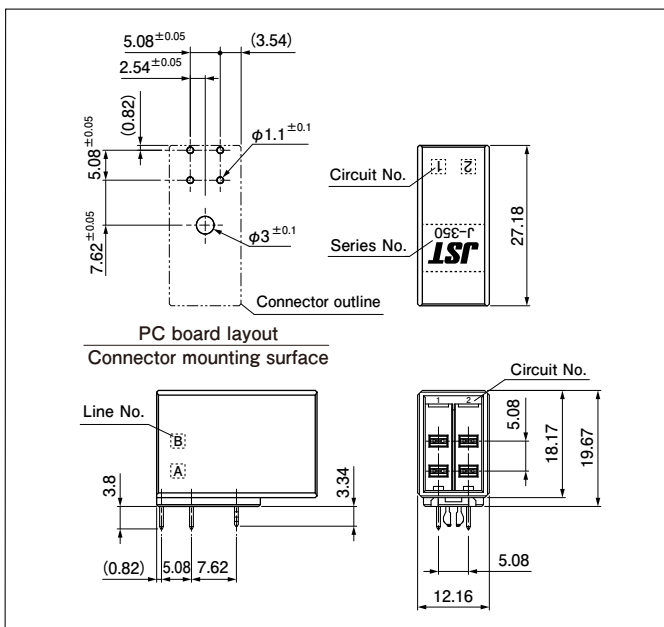
Model No.	Q'ty/box
J-FAT-OT (N)	1,000

### Material and Surface finish, etc.

PA (Glass-filled)

Note) Not UL listed.

## Header (Side entry type)



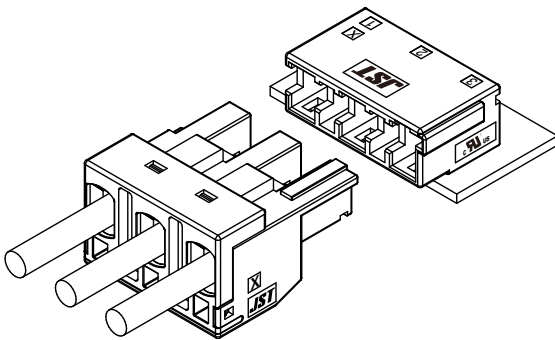
No. of circuits	Keying	Model No.	Q'ty/box
4	—	SC04B-F35DK-GGR	152

### Material and Surface finish, etc.

Tab contact: Copper alloy,  
nickel-undercoated, selective gold-plated  
Housing: PBT (Glass-filled), UL94V-0, black  
Reinforcement: Copper alloy,  
nickel-undercoated, selective gold-plated

Note) This product displays (LF)(AU) on a label.

# J-FAT CONNECTOR /S-KT Series



## Standards

: Recognized E 239668

\* Please contact JST for details on the above safety standards.

## Specifications

• Current rating : AC/DC

Current unit: A

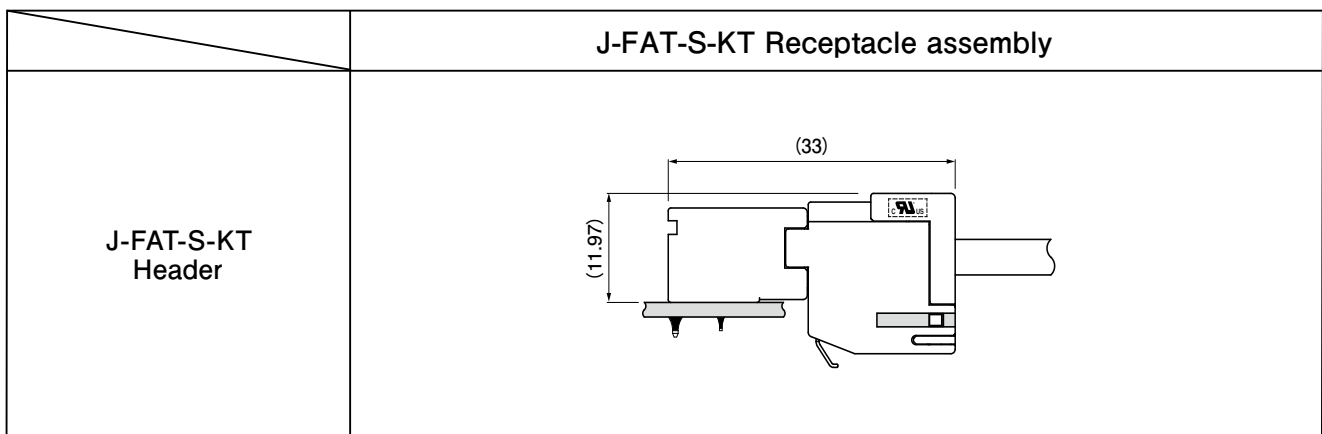
Wire size (AWG)			
# 12	# 14	# 16	# 18
20	15	13	11

- Voltage rating: 300 V AC/DC
- Temperature range: -55°C to +105°C (Including temperature rise in applying electrical current)
- Contact resistance: Initial value / 20 mΩ max.  
After environmental tests / 40 mΩ max.
- Insulation resistance: Initial value / 1,000 MΩ min.  
After environmental tests / 100 MΩ min.
- Withstanding voltage: There shall be no breakdown or flashover while applying 2,200 VAC for one minute.
- Applicable wire range: AWG #18 to AWG #12
- Applicable PC board thickness: 1.6 mm

Note) Please note that the above general specifications may differ from safety standards.

- \* Please refer to the "Handling Precautions for Terminals and Connectors" on our website (listed in the "Technical Documents" column on the Product Information page) before use.
- \* RoHS2 compliance
- \* Dimensional unit: mm
- \* Contact JST for details.

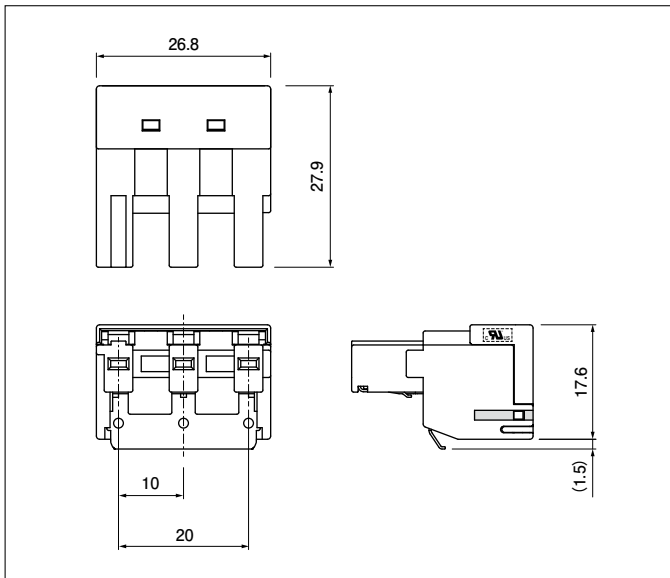
## Assembly layout





# J-FAT CONNECTOR /S-KT Series

## Receptacle assembly



No. of circuits	Keying	Model No.	Q'ty/box
3	X	03JFAT-SAXGDK-KT10	176
	Y	03JFAT-SAYGDK-KT10	176

### Material and Surface finish, etc.

Receptacle contact: Copper alloy,  
nickel-undercoated, selective gold-plated

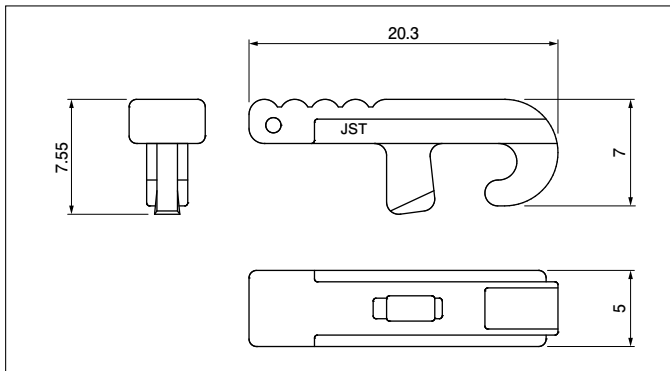
Housing: PBT (Glass-filled), UL94V-0, black

Cover: PBT (Glass-filled), UL94V-0, black

Spring: Stainless

Lock lever: Stainless

## Open tool



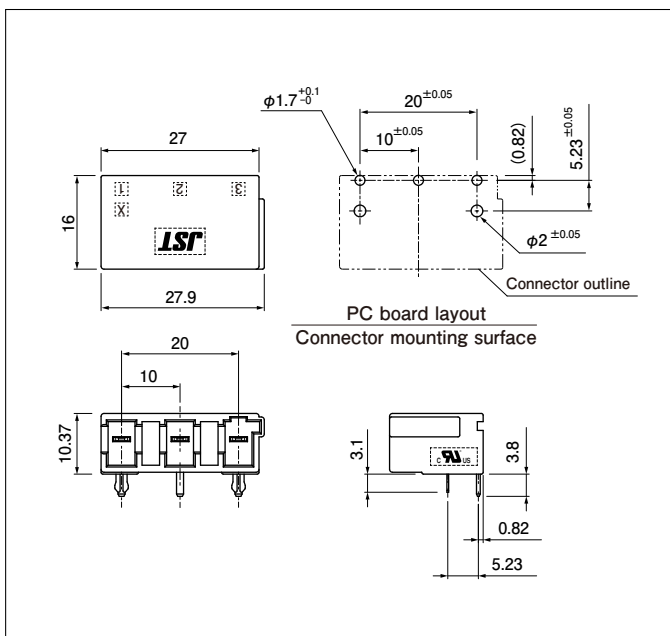
Model No.	Q'ty/box
J-FAT-OT (N)	1,000

### Material and Surface finish, etc.

PA (Glass-filled)

Note) Not UL listed.

## Header (Side entry type)



No. of circuits	Keying	Model No.	Q'ty/box
3	X	SC03B-JTSKT10SK-GEXKR	270
	Y	SC03B-JTSKT10SK-GEYKR	270

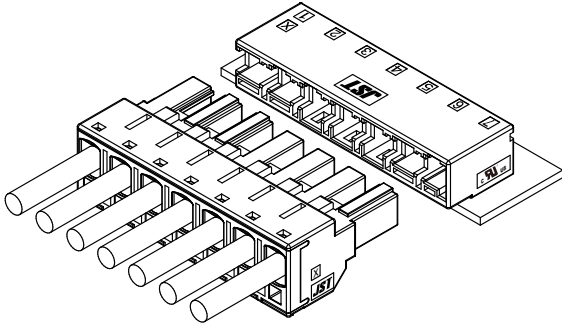
### Material and Surface finish, etc.

Tab contact: Copper alloy,  
nickel-undercoated, selective gold-plated


Housing: PA (Glass-filled), UL94V-0, black

Reinforcement: Copper alloy,  
nickel-undercoated, selective gold-plated

# J-FAT CONNECTOR / S-KM Series



## Standards

 : Recognized E 239668

\* Please contact JST for details on the above safety standards.

## Specifications

• Current rating : AC/DC

Current unit: A

No. of circuits	Wire size (AWG)		
	# 14	# 16	# 18
5	15	13	10
7	15	13	10

- Voltage rating: 400 V AC/DC
- Temperature range: -55°C to +105°C (Including temperature rise in applying electrical current)
- Contact resistance: Initial value / 20 mΩ max.  
After environmental tests / 40 mΩ max.
- Insulation resistance: Initial value / 1,000 MΩ min.  
After environmental tests / 100 MΩ min.
- Withstanding voltage: There shall be no breakdown or flashover while applying 2,200 VAC for one minute.
- Applicable wire range: AWG #18 to AWG #14
- Applicable PC board thickness: 1.6 mm

Note) Please note that the above general specifications may differ from safety standards.

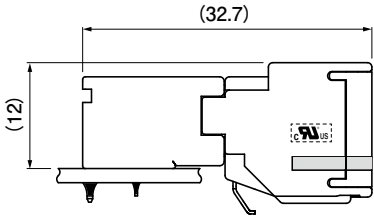
\* Please refer to the "Handling Precautions for Terminals and Connectors" on our website (listed in the "Technical Documents" column on the Product Information page) before use.

\* RoHS2 compliance

\* Dimensional unit: mm

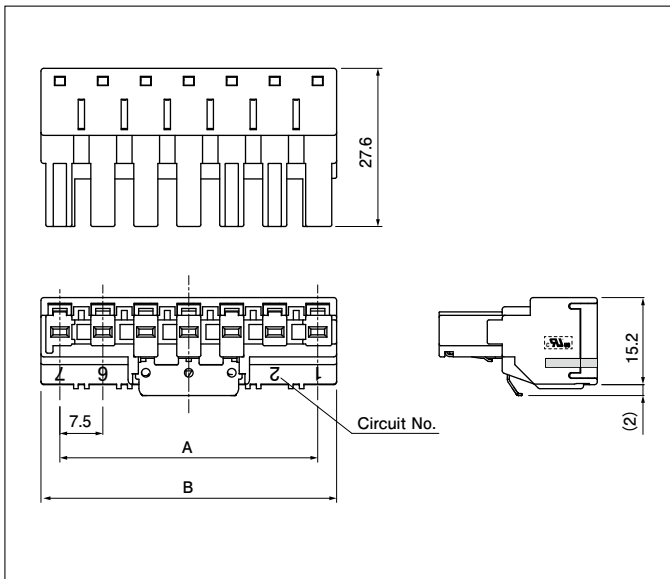
\* Contact JST for details.

## Assembly layout

J-FAT-S-KM Receptacle assembly	
J-FAT-S-KM Header	

# J-FAT CONNECTOR / S-KM Series

## Receptacle assembly

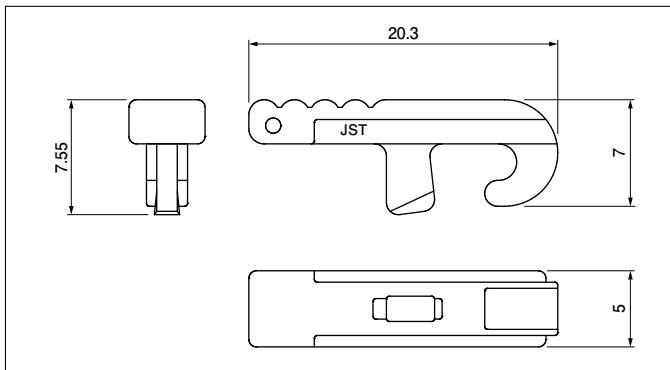


No. of circuits	Keying	Model No.	Dimensions (mm)		Q'ty/box
			A	B	
5	X	05JFAT-SAXGSAK-KM7.5	30	36.6	192
7	X	07JFAT-SAXGSAK-KM7.5	45	51.6	144

### Material and Surface finish, etc.

Receptacle contact: Copper alloy,  
nickel-undercoated, selective gold-plated  
Housing: PBT (Glass-filled), UL94V-0, black  
Cover: PBT (Glass-filled), UL94V-0, black  
Spring: Stainless  
Lock lever: Stainless

## Open tool



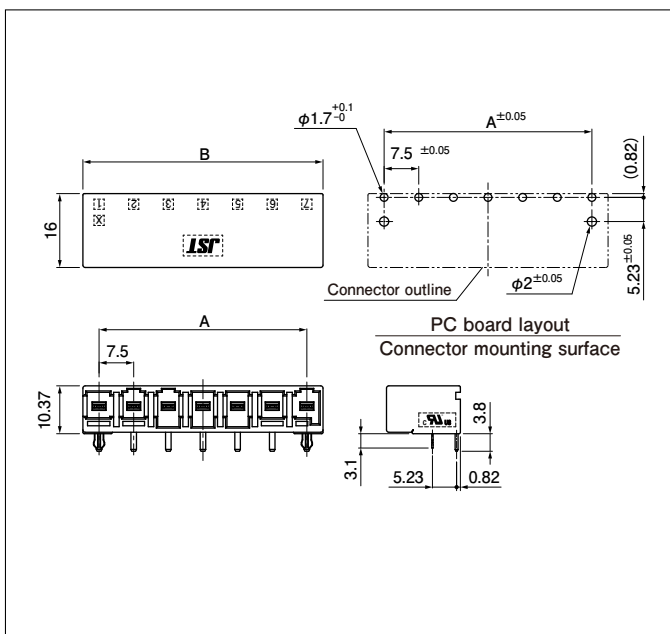
Model No.	Q'ty/box
J-FAT-OT (N)	1,000

### Material and Surface finish, etc.

PA (Glass-filled)

Note) Not UL listed.

## Header (Side entry type)

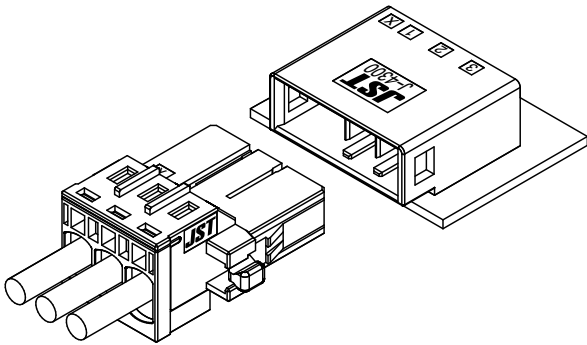


No. of circuits	Keying	Model No.	Dimensions (mm)		Q'ty/box
			A	B	
5	X	SC05B-JTSKM7.5SK-GSXKR	30	37	189
7	X	SC07B-JTSKM7.5SK-GSXKR	45	52	135


### Material and Surface finish, etc.

Tab contact: Copper alloy,  
nickel-undercoated, selective gold-plated  
Housing: PBT (Glass-filled), UL94V-0, black  
Reinforcement: Copper alloy,  
nickel-undercoated, selective gold-plated

# J-FAT CONNECTOR / S-4300 Series



## Standards

 : Recognized E 239668

\* Please contact JST for details on the above safety standards.

## Specifications

• Current rating : AC/DC

Current unit: A

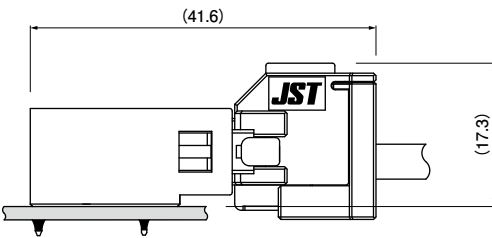
Wire size (AWG)		
# 12	# 14	# 16
20	17	15

- Voltage rating: 600 V AC/DC
- Temperature range: -55°C to +105°C (Including temperature rise in applying electrical current)
- Contact resistance: Initial value / 5 mΩ max.  
After environmental tests / 10 mΩ max.
- Insulation resistance: Initial value / 1,000 MΩ min.  
After environmental tests / 100 MΩ min.
- Withstanding voltage: There shall be no breakdown or flashover while applying 2,200 VAC for one minute.
- Applicable wire range: AWG #16 to AWG #12
- Applicable PC board thickness: 1.6 mm to 2.4 mm

Note) Please note that the above general specifications may differ from safety standards.

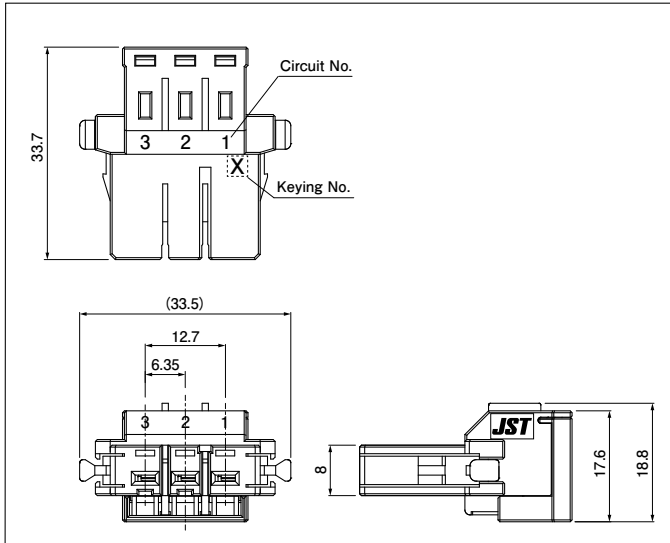
- \* Please refer to the "Handling Precautions for Terminals and Connectors" on our website (listed in the "Technical Documents" column on the Product Information page) before use.
- \* RoHS2 compliance
- \* Dimensional unit: mm
- \* Contact JST for details.

## Assembly layout

J-FAT-S-4300 Receptacle assembly	
JFA J4300 Header	

# J-FAT CONNECTOR / S-4300 Series

## Receptacle assembly

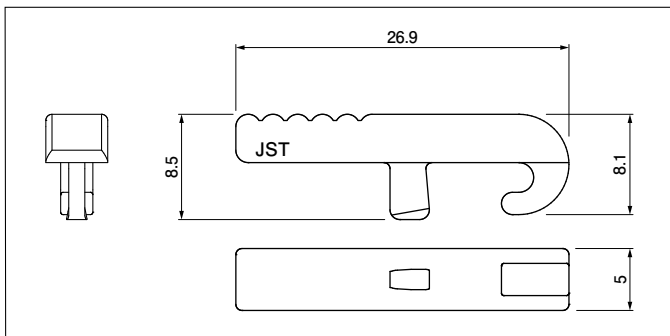


No. of circuits	Keying	Model No.	Q'ty/box
3	X	03JFAT-SAXGFK-43	189

### Material and Surface finish, etc.

Receptacle contact: Copper alloy,  
nickel-undercoated, selective gold-plated  
Housing: PBT (Glass-filled), UL94V-0, black  
Cover: PBT (Glass-filled), UL94V-0, black  
Spring: Stainless

## Open tool



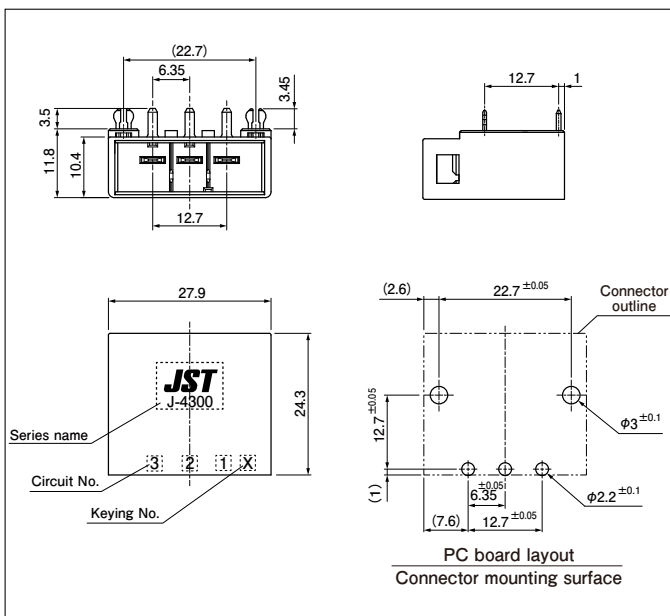
Model No.	Q'ty/bag
J-FAT-OT-XL	500

### Material and Surface finish, etc.

PA ( Glass-filled)

Note) Not UL listed.

## Header (Side entry type)

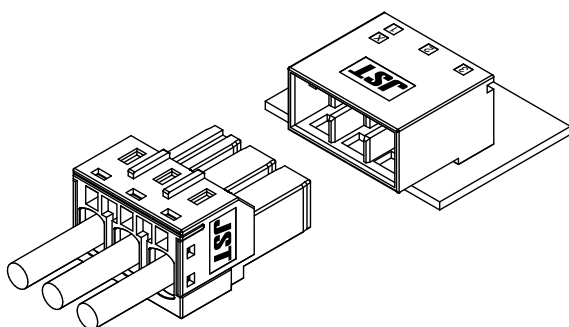


No. of circuits	Keying	Model No.	Q'ty/box
3	X	S03B-J43SK-GHXR	64


### Material and Surface finish, etc.

Tab contact: Copper alloy,  
nickel-undercoated, selective gold-plated  
Housing: PBT (Glass-filled), UL94V-0, black  
Reinforcement: Copper alloy,  
nickel-undercoated, selective gold-plated

# J-FAT CONNECTOR / S-XL Series



## Standards

 : Recognized E 239668

\* Please contact JST for details on the above safety standards.

## Specifications

• Current rating : AC/DC

Current unit: A

No. of circuit	Wire size (AWG)			
	# 10	# 12	# 14	# 16
3	23	21	18	15
5	21	18	16	14
6	21	18	16	14
7	21	18	16	13

- Voltage rating: 600 V AC/DC
- Temperature range: -55°C to +105°C (Including temperature rise in applying electrical current)
- Contact resistance: Initial value / 5 mΩ max.  
After environmental tests / 10 mΩ max.
- Insulation resistance: Initial value / 1,000 MΩ min.  
After environmental tests / 100 MΩ min.
- Withstanding voltage: There shall be no breakdown or flashover while applying 2,200 VAC for one minute.
- Applicable wire range: AWG #16 to AWG #10
- Applicable PC board thickness: 1.6 mm

Note) Please note that the above general specifications may differ from safety standards.

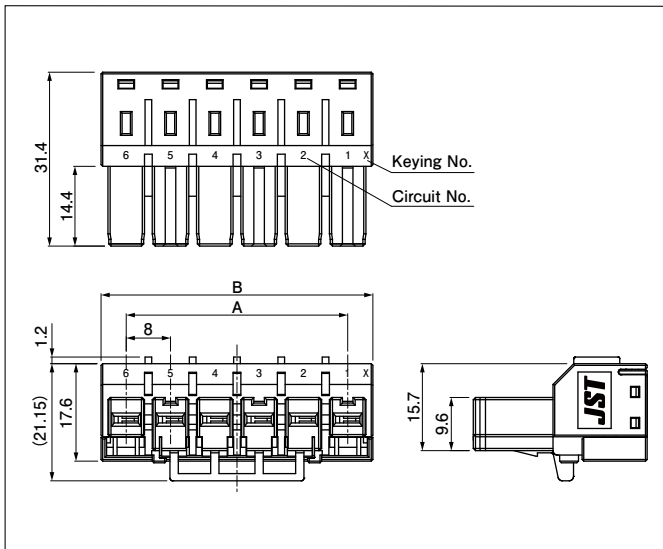
- \* Please refer to the "Handling Precautions for Terminals and Connectors" on our website (listed in the "Technical Documents" column on the Product Information page) before use.
- \* RoHS2 compliance
- \* Dimensional unit: mm
- \* Contact JST for details.

## Assembly layout

		J-FAT-S-XL Receptacle assembly
J-FAT-S-L Header	Normal type	
	Reverse type	

# J-FAT CONNECTOR / S-XL Series

## Receptacle assembly

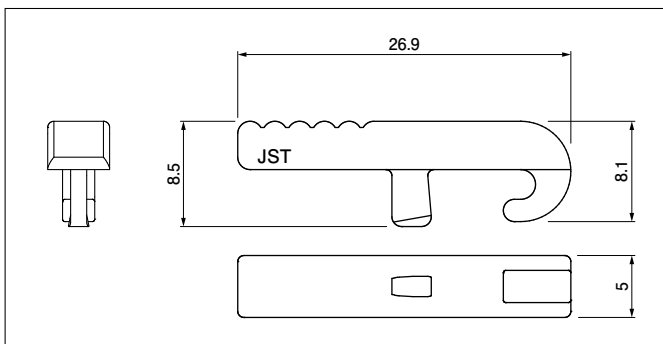


No. of circuits	Keying	Model No.	Dimensions (mm)		Q'ty/box
			A	B	
3	X	03JFAT-SAXGFK-XL	16	25.1	416
	Y	03JFAT-SAYGFS-XL	16	25.1	416
5	X	05JFAT-SAXGFK-XL	32	41.1	256
	Y	05JFAT-SAYGFS-XL	32	41.1	256
6	X	06JFAT-SAXGFK-XL	40	49.1	192
	Y	06JFAT-SAYGFS-XL	40	49.1	192
7	X	07JFAT-SAXGFK-XL	48	57.1	160

### Material and Surface finish, etc.

Receptacle contact: Copper alloy,  
nickel-undercoated, selective gold-plated  
Housing: PBT (Glass-filled), UL94V-0,  
X-Keying (black), Y-Keying (white)  
Cover: PBT (Glass-filled), UL94V-0,  
X-Keying (black), Y-Keying (white)  
Spring: Stainless

## Open tool



Model No.	Q'ty/bag
J-FAT-OT-XL	500

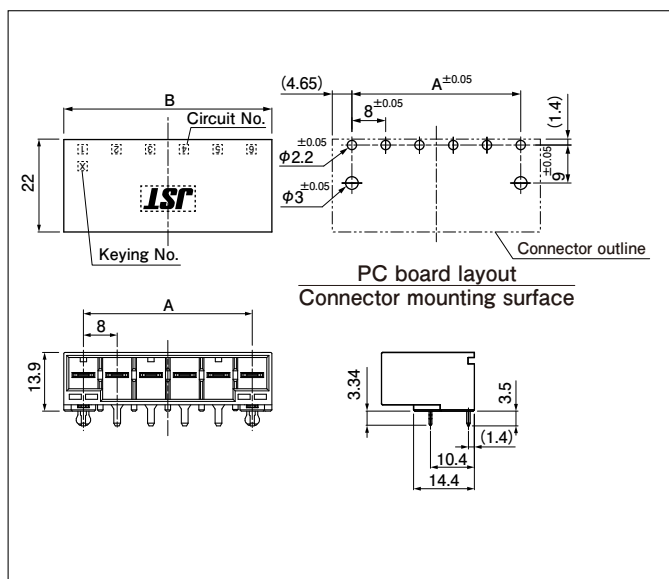
### Material and Surface finish, etc.

PA (Glass-filled)

Note) Not UL listed.

# J-FAT CONNECTOR / S-XL Series

## Header (Side entry type)

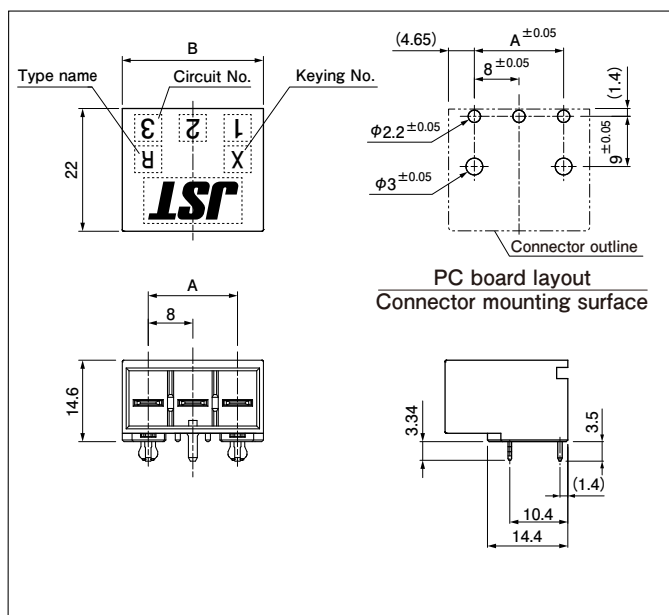


No. of circuits	Keying	Model No.	Dimension (mm)		Q'ty/box
			A	B	
3	X	S03B-JTSLSK-GSANXR	16	25.3	80
	Y	S03B-JTSLSS-GSANYR	16	25.3	80
5	X	S05B-JTSLSK-GSANXR	32	41.3	50
6	X	S06B-JTSLSK-GSANXR	40	49.3	40
	Y	S06B-JTSLSS-GSANYR	40	49.3	40
7	X	S07B-JTSLSK-GSANXR	48	57.3	30

### Material and Surface finish, etc.

Tab contact: Copper alloy,  
nickel-undercoated, selective gold-plated  
Housing: PBT (Glass-filled), UL94V-0,  
X-Keying (black), Y-Keying (white)  
Reinforcement: Copper alloy,  
nickel-undercoated, selective gold-plated

## Header (Side entry type/Reverse type)



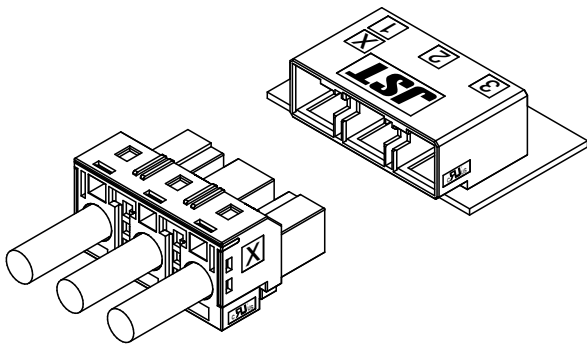
No. of circuits	Keying	Model No.	Dimensions (mm)		Q'ty/box
			A	B	
3	X	SR03B-JTSLSK-GSANXR	16	25.3	80
	Y	SR03B-JTSLSS-GSANYR	16	25.3	80
5	X	SR05B-JTSLSK-GSANXR	32	41.3	50
	Y	SR05B-JTSLSS-GSANYR	32	41.3	50

### Material and Surface finish, etc.


Tab contact: Copper alloy,  
nickel-undercoated, selective gold-plated  
Housing: PBT (Glass-filled), UL94V-0,  
X-Keying (black), Y-Keying (white)  
Reinforcement: Copper alloy,  
nickel-undercoated, selective gold-plated



# J-FAT CONNECTOR / S-P Series



## Standards

 : Recognized E 239668

\* Please contact JST for details on the above safety standards.

## Specifications

• Current rating : AC/DC

Current unit: A

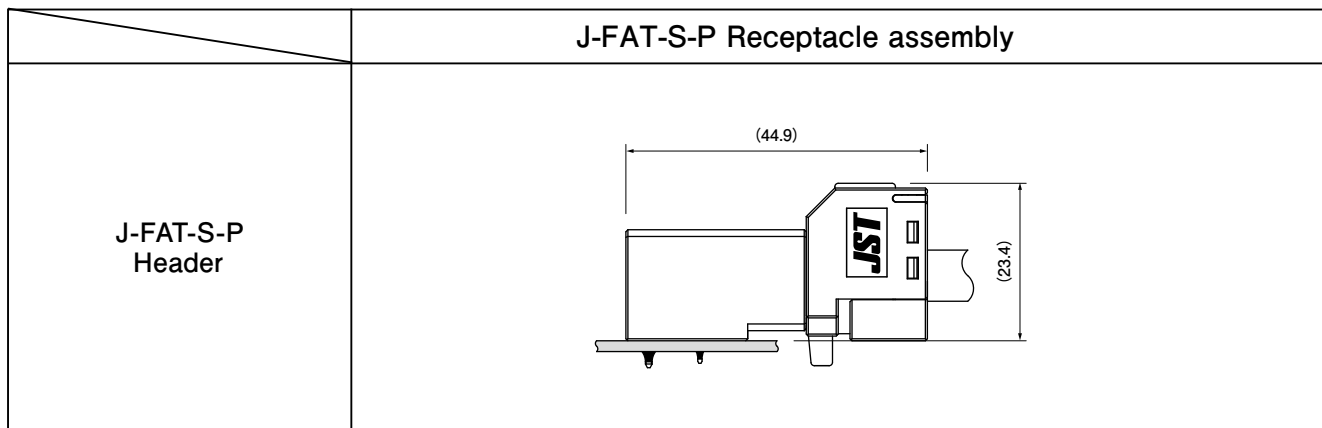
Wire size (AWG)				
# 8	# 10	# 12	# 14	# 16
43	30	21	18	15

- Voltage rating: 600 V AC/DC
- Temperature range: -55°C to +105°C (Including temperature rise in applying electrical current)
- Contact resistance: Initial value / 5 mΩ max.  
After environmental tests / 10 mΩ max.
- Insulation resistance: Initial value / 1,000 MΩ min.  
After environmental tests / 100 MΩ min.
- Withstanding voltage: There shall be no breakdown or flashover while applying 2,200 VAC for one minute.
- Applicable wire range: AWG #16 to AWG #8
- Applicable PC board thickness: 1.6 mm

Note) Please note that the above general specifications may differ from safety standards.

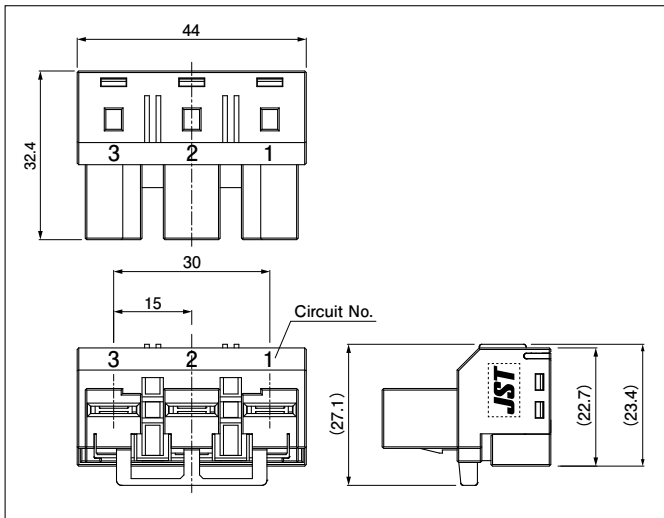
- \* Please refer to the "Handling Precautions for Terminals and Connectors" on our website (listed in the "Technical Documents" column on the Product Information page) before use.
- \* RoHS2 compliance
- \* Dimensional unit: mm
- \* Contact JST for details.

## Assembly layout



# J-FAT CONNECTOR /S-P Series

## Receptacle assembly



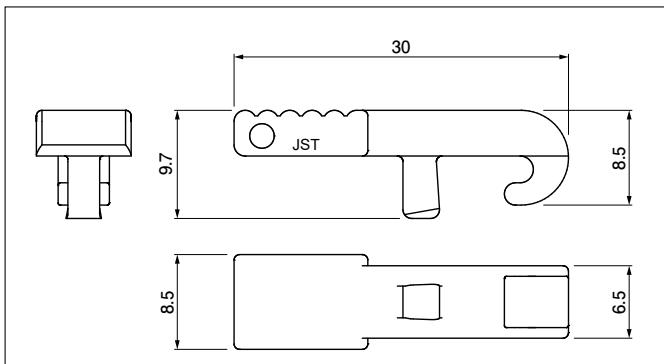
No. of circuits	Keying	Model No.	Q'ty/box
3	X	03JFAT-SAXGDK-P15	84
	Y	03JFAT-SAYGDK-P15	84
	Z	03JFAT-SAZGDK-P15	84
	F	03JFAT-SAFGDK-P15	84

Material and Surface finish, etc.

Receptacle contact: Copper alloy,  
nickel-undercoated, selective gold-plated  
Housing: PBT (Glass-filled), UL94V-0, black  
Cover: PBT (Glass-filled), UL94V-0, black  
Spring: Copper alloy, nickel-undercoated, selective gold-plated

Note) F-Keying can be mated with all of X-Keying, Y-Keying, and Z-Keying.

## Open tool



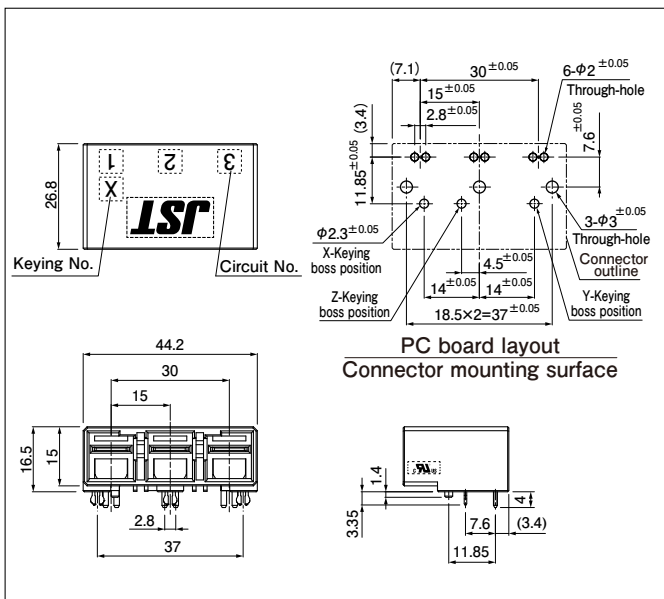
Model No.	Q'ty/bag
J-FAT-OT-P	500

Material and Surface finish, etc.

PA (Glass-filled)

Note) Not UL listed.

## Header (Side entry type)



No. of circuits	Keying	Model No.	Q'ty/box
3	X	SC03B-JTSP15SK-GEXKR	126
	Y	SC03B-JTSP15SK-GEYKR	126
	Z	SC03B-JTSP15SK-GEZKR	126

Material and Surface finish, etc.

Tab contact: Copper alloy,  
nickel-undercoated, selective gold-plated  
Housing: PPS (Glass-filled), UL94V-0, black  
Reinforcement: Copper alloy,  
nickel-undercoated, selective gold-plated

# J-FAT CONNECTOR

## Model number allocation

### Receptacle assembly

**03 JFAT - SA Y GF KK - A - KK**

No. of circuits	
Connector name	
Mating method: SA···Normal type SB···Reverse type	
Keying: X···X-Keying Y···Y-Keying Z···Z-Keying F···F-Keying XY···XY-Keying No indication···Without keying	
Surface finish: GSA···Nickel-undercoated, 0.1 μm selective gold-plated GD···Nickel-undercoated, 0.2 μm selective gold-plated GF,GG···Nickel-undercoated, 0.38 μm selective gold-plated	
Color: K, KK, No indication···Black S···White KS···Black (Only cover is white)	
Series: K5.0, K7.5, H5.0, A, F, G, KT10, KM7.5, 43, XL, P15 No indication (For Mini-J-FAT series)	
Color: KK (For S-F and S-G series)···Black	

### Header

**S 09 B - JTSH5.0 S K - GE X KR**

Header type B···Top type S···Side type SR···Side type Reverse SC···Side type Center locking	
No. of circuits	
Type: Board mounted type header	
Series: J25, JTSK5.0, JTSK7.5, JTSH5.0, F32, F35, JTSKT10, JTSKM7.5, J43, JTSL, JTSP15	
Array: S···Single-row D···Dual-row (Pitch between rows 5.08 mm) M···Dual-row (Pitch between rows 7.62 mm)	
Color: K···Black S···White	
Surface finish: GS,GSAN···Nickel-undercoated, 0.1 μm selective gold-plated GE···Nickel-undercoated, 0.2 μm selective gold-plated GG,GH···Nickel-undercoated, 0.38 μm selective gold-plated	
Keying: X···X-Keying Y···Y-Keying Z···Z-Keying XX···XX-Keying YY···YY-Keying XY···XY-Keying No indication···Without keying	
Packaging style: R, KR···Packaged in tray	