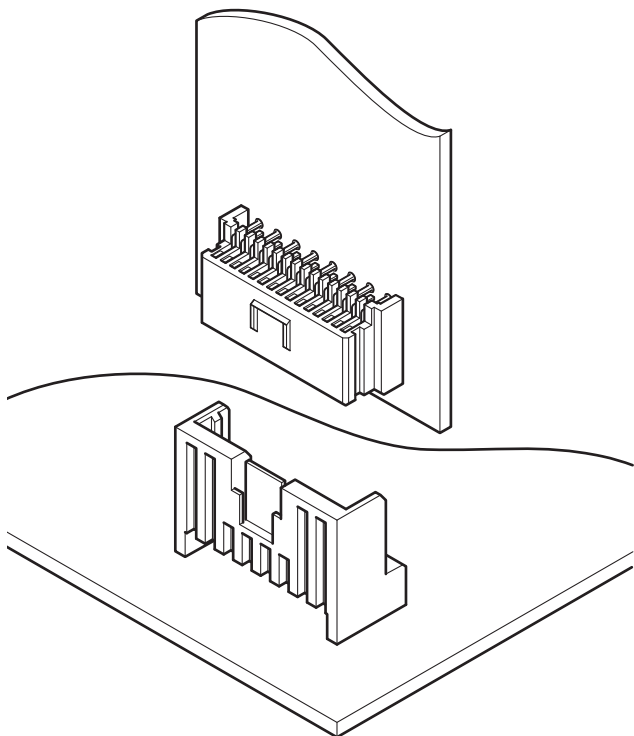


JET CONNECTOR

Self-supporting style Board-to-board Connectors



Self-supporting style board to board connectors. Both plugs and receptacles are supplied radial-tape mounted (conforming to JIS C 0805 tape specification), which can be mounted by versatile, radial component pick and place machines. Automatic mounting is possible up to 15 circuits.



Features

- **Good connection is assured even after severe shock & vibration**

Because of their construction, even severe shocks and long periods of vibration will not cause circuit interruption. Both secure lock and friction lock connectors are available.

- **Correct and secure mating**

The connector halves can be easily mated, yet have a high retention force because of the housing lock mechanism.

Specifications

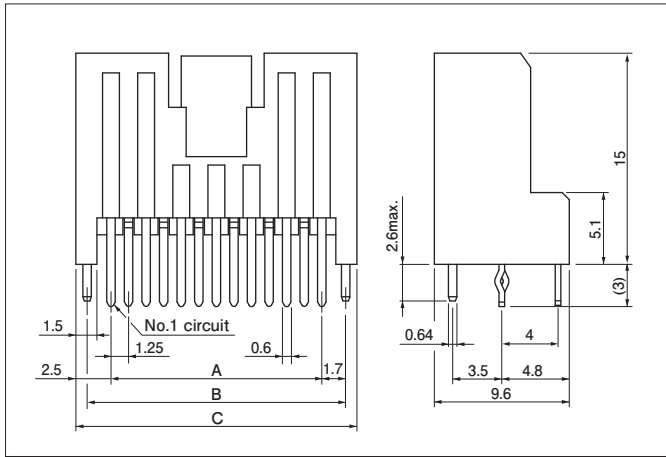
- Current rating: 1.0 A AC/DC
- Voltage rating: 50 V AC/DC
- Temperature range: -25°C to +85°C
(including temperature rise in applying electrical current)
- Contact resistance: Initial value/ 30 mΩ max.
After environmental tests/ 40 mΩ max.
- Insulation resistance: 500 MΩ min.
- Withstanding voltage: 500 VAC/minute
- Applicable PC board thickness: 1.6 mm

* RoHS compliance

* Please refer to the "Handling Precautions for Terminals and Connectors" on our website (listed in the "Technical Documents" column on the Product Information page) before use.

* Contact JST for details.

Plug



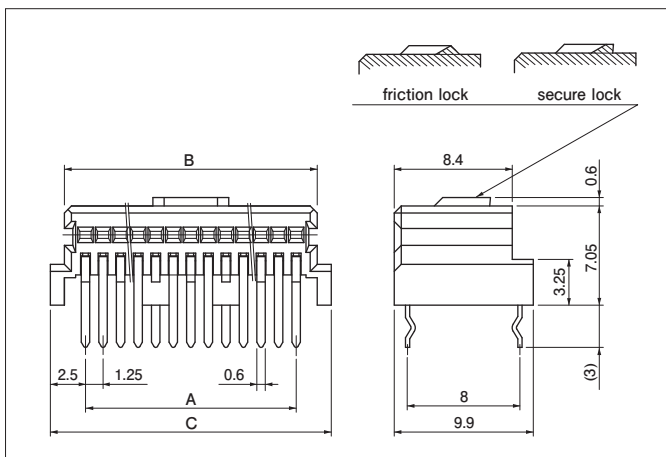
No. of circuits	Model No.	Dimensions (mm)			Q'ty/box
		A	B	C	
9	09P-JET	10.0	13.4	15.0	280
15	15P-JET	17.5	20.9	22.5	168

Material and Surface finish, etc.

Contact: Brass, copper-undercoated, tin-plated (reflow treatment)
Housing: Glass-filled PA 66

RoHS compliance This product displays (LF)(SN) on a label.
Note: For flame retardant grade of resin material used, please refer to the "List of Registered Overseas Standards" on our website (listed in the "Technical Documents" column on the Product Information page).

Receptacle



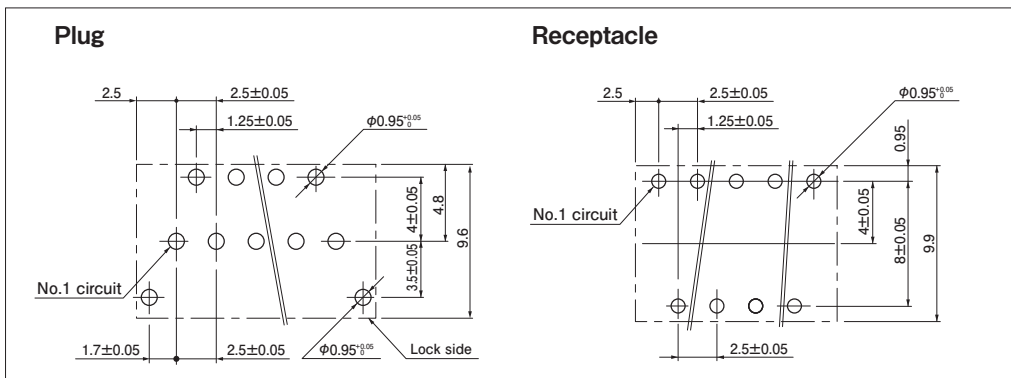
No. of circuits	Model No.		Dimensions (mm)			Q'ty/box
	friction lock type	secure lock type	A	B	C	
9	09R-JET-F	09R-JET-P	10.0	13.0	15.0	420
15	15R-JET-F	15R-JET-P	17.5	20.5	22.5	392

Material and Surface finish, etc.

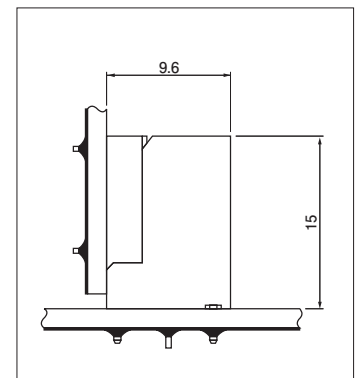
Contact: Phosphor bronze, copper-undercoated, tin-plated (reflow treatment)
Housing: Glass-filled PA 66

RoHS compliance This product displays (LF)(SN) on a label.
Note: For flame retardant grade of resin material used, please refer to the "List of Registered Overseas Standards" on our website (listed in the "Technical Documents" column on the Product Information page).

PC board layout



Assembly layout



- Note 1. The PC board layout is the figure viewed from the connector mounting side.
2. Tolerance for the PCB hole pitch shall be ± 0.05 and shall not accumulate.
3. Hole dimensions differ according to the type of PC board and piercing method.
The above dimensions are reference values. Please contact JST for details.