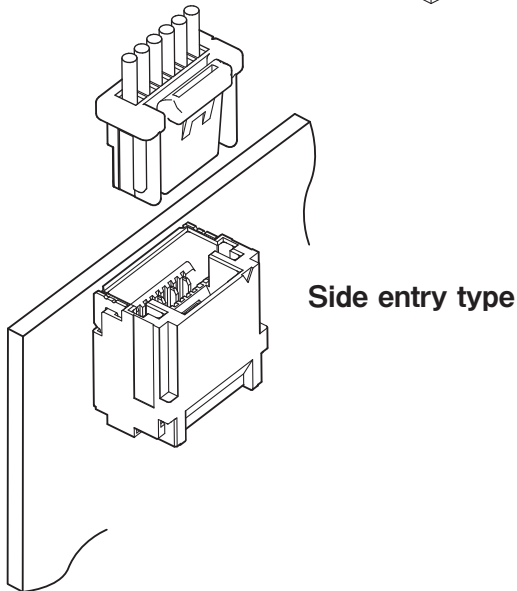
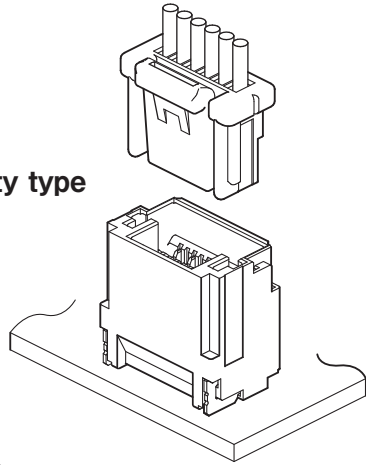


NSH CONNECTOR <Potting type connector>

1.0 mm pitch/Wire-to-Board connectors/Crimp style and Mating style

Top entry type



Side entry type

This is a 1.0 mm pitch, wire-to-board, SMT connector designed for ingress protection against potting material on the PCB. This potting-compatible version of the NSH connector features a strong locking function and delivers a noticeable click feeling during insertion. Together with low-insertion force contacts, the NSH connector facilitates a reliable mating operation.

- Header suitable for potting process
- Secure lock mechanism
- Fully shrouded header ensures durability with a secure connection reducing the risk of stress and misalignment
- Excellent workability during mating process

■ Specifications

- Current rating: 1.0 A AC/DC (AWG #28)
- Voltage rating: 50 V AC/DC
- Temperature range: -25°C to +105°C
(including temperature rise in applying electrical current)
- Contact resistance:
Initial value/ 30 mΩ max.
After environmental tests/ 50 mΩ max.
- Insulation resistance: 100 MΩ min.
- Withstanding voltage:
There shall be no breakdown or flashover while applying 500 VAC for one minute.
- Applicable wire range:
Conductor size/ AWG #32 to AWG #28
Insulation O.D./ φ 0.4 mm to φ 0.8 mm
- * Please refer to the "Handling Precautions for Terminals and Connectors" on our website (listed in the "Technical Documents" column on the Product Information page) before use.
- * RoHS2 compliance
- * Dimensional unit: mm
- * Contact JST for details.

■ Standards

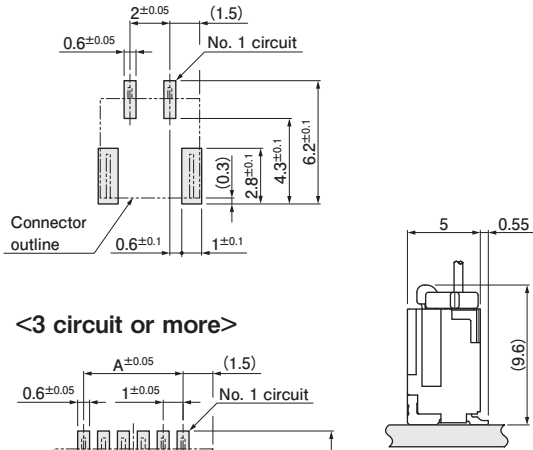
For information on overseas standard registrations, please refer to the "List of Registered Overseas Standards" on our website (listed in the "Technical Documents" column on the Product Information page).

- * Specifications registered to overseas standards may differ from the general specifications listed above.

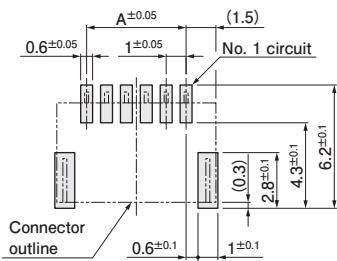
NSH CONNECTOR (Potting type connector)

PC board layout and Assembly layout

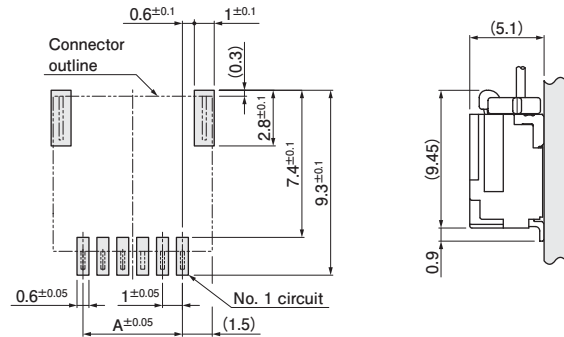
Top entry type <2 circuits>



<3 circuit or more>

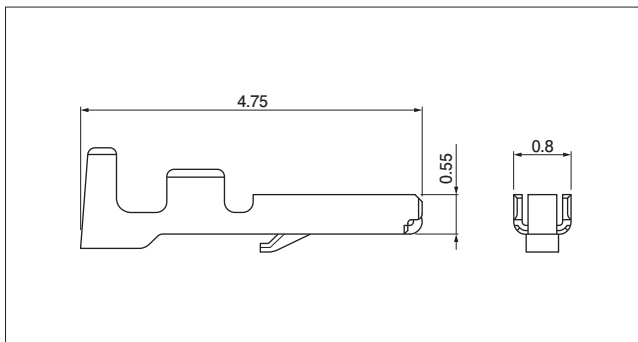


Side entry type



- Note: 1. The PC board layout figure shown is viewed from the connector mounting surface.
 2. Dimension A: See "Header" section on page 4.
 3. Tolerance for the PCB pattern pitch shall be ± 0.05 , and shall not accumulate more than ± 0.05 .
 4. The above dimensions are reference values. Please contact JST for details.

Contact



Model No.	Applicable wire range		Q'ty/ reel
	Conductor size AWG (mm ²)	Insulation O.D. (mm)	
SSHL-003T-P0.2	#32 to #28 (0.032 to 0.081)	0.4 to 0.8	41,000

Material and Surface finish, etc.
 Copper alloy, tin-plated

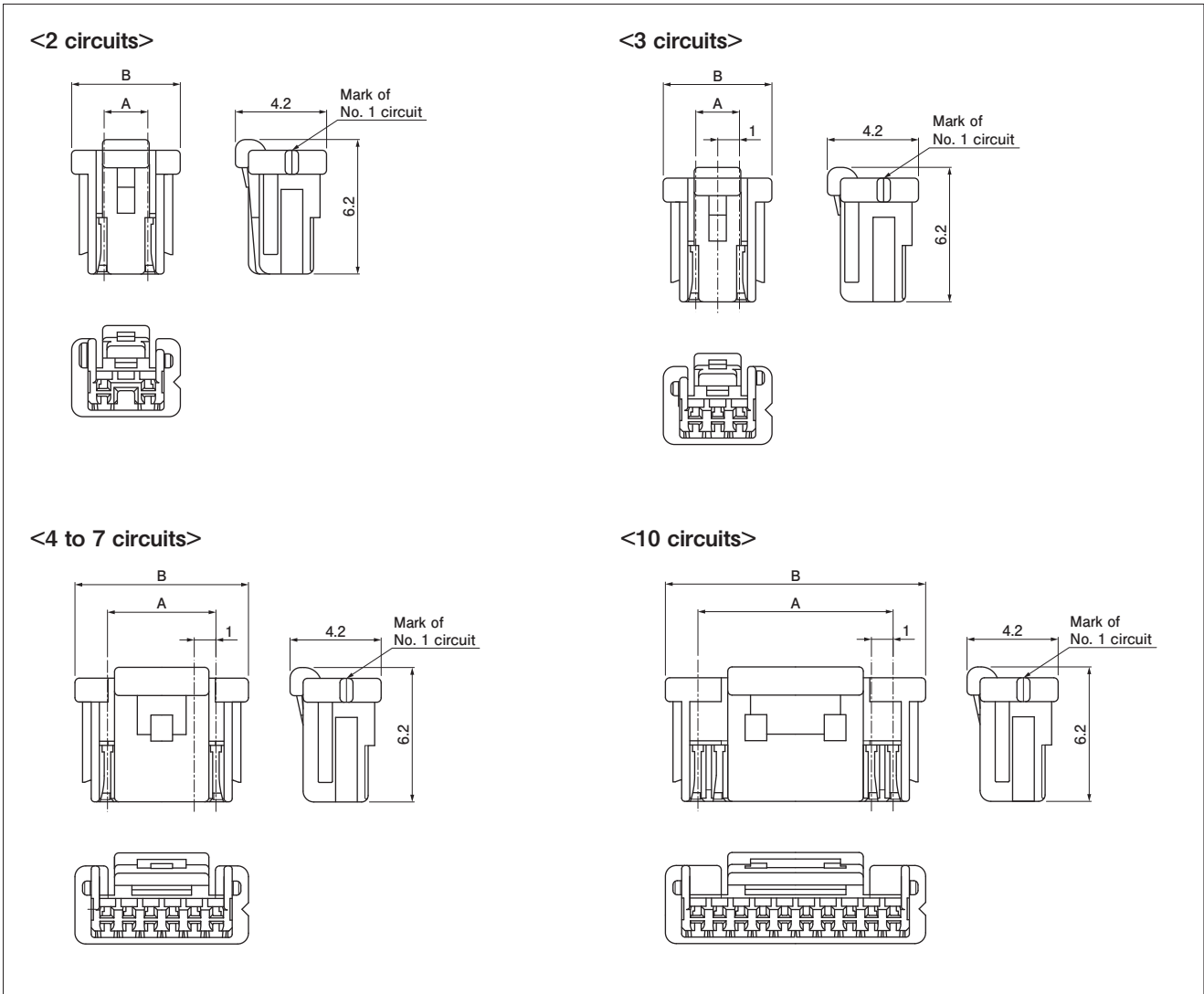
Crimping machine

Contact	Crimping machine	Applicator	Crimp applicator with dies
SSHL-003T-P0.2	AP-K2N	MKS-L-10-3	APLMK SSH/L003-02

Note: Contact JST for fully automatic crimping applicator.

NSH CONNECTOR (Potting type connector)

Housing



No. of circuits	Model No.	Dimensions (mm)		Q'ty/bag
		A	B	
2	NSHR-02V-S ^{Note 1)}	2.0	5.0	3,000
3	NSHR-03V-S	2.0	5.0	3,000
4	NSHR-04V-S	3.0	6.0	2,500
5	NSHR-05V-S	4.0	7.0	2,000
6	NSHR-06V-S	5.0	8.0	1,500
7	NSHR-07V-S	6.0	9.0	1,500
10	NSHR-10V-S	9.0	12.0	1,000

Material and Surface finish, etc.

PBT, natural

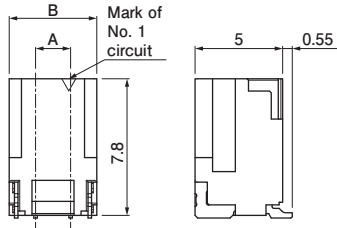
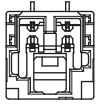
Note: 1. The 2 circuit version uses a 3 circuit housing with the 2nd circuit plugged up, allowing 2.0 mm pitch between circuits.
 2. For flame retardant grade of resin material used, please refer to the "List of Registered Overseas Standards" on our website (listed in the "Technical Documents" column on the Product Information page).

NSH CONNECTOR (Potting type connector)

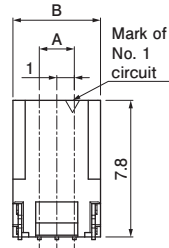
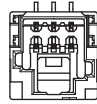
Header

Top entry type

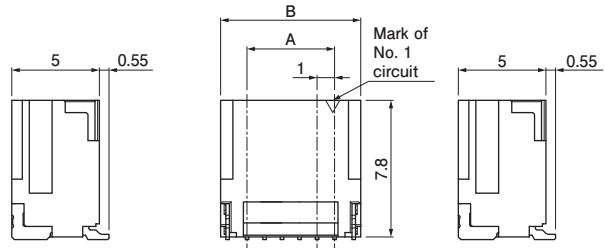
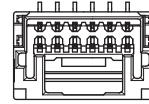
<2 circuits>



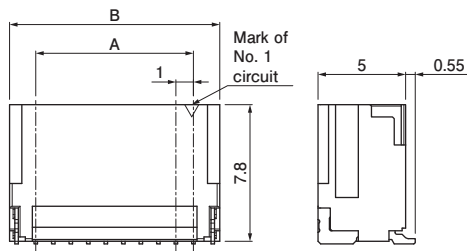
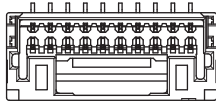
<3 circuits>



<4 to 7 circuits>

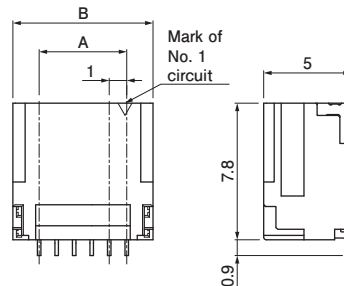
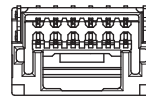


<10 circuits>



Side entry type

<6 circuits>



Top entry type

No. of circuits	Model No.	Dimensions (mm)		Q'ty/reel
		A	B	
2	BM02B-NSHSS-A-TB ^{Note 3)}	2.0	5.0	750
3	BM03B-NSHSS-A-TB	2.0	5.0	750
4	BM04B-NSHSS-A-TB	3.0	6.0	750
5	BM05B-NSHSS-A-TB	4.0	7.0	750
6	BM06B-NSHSS-A-TB	5.0	8.0	750
7	BM07B-NSHSS-A-TB	6.0	9.0	750
10	BM10B-NSHSS-A-TB	9.0	12.0	750

Material and Surface finish, etc.

Base contact: Copper alloy, tin-plated
 Base housing: PA (Heat resistance), natural
 Reinforcement: Copper alloy, tin-plated

Side entry type

No. of circuits	Model No.	Dimensions (mm)		Q'ty/reel
		A	B	
6	SM06B-NSHSS-A-TB	5.0	8.0	1,250

Material and Surface finish, etc.

Base contact: Copper alloy, tin-plated
 Base housing: PA (Heat resistance), natural
 Reinforcement: Copper alloy, tin-plated

- Note: 1. This product displays (LF)(SN) on a label.
 2. This product is supplied on embossed tape and reel packaging.
 3. For flame retardant grade of resin material used, please refer to the "List of Registered Overseas Standards" on our website (listed in the "Technical Documents" column on the Product Information page).

- Note: 1. This product displays (LF)(SN) on a label.
 2. This product is supplied on embossed tape and reel packaging.
 3. The 2 circuit version uses a 3 circuit housing with the 2nd circuit plugged up, allowing 2.0 mm pitch between circuits.
 4. For flame retardant grade of resin material used, please refer to the "List of Registered Overseas Standards" on our website (listed in the "Technical Documents" column on the Product Information page).

NSH CONNECTOR (Potting type connector)

Model number allocation

Contact

S SHL - 003 T - P 0.2

Supply form: Strip form

Series name

Applicable wire range: AWG #32 to AWG #28

Surface finish: Tin-plated

Material: Copper alloy

Applicable contact size

Housing

NSH R - 02 V - S

Series name

Type: For receptacle contact

No. of circuits

Sub model number

Color: S...Natural, TR...Tomato red

Header

BM 02 B - NSH S S - A - TB

Header type:
 BM...SMT top entry type
 SM...SMT side entry type

No. of circuits

Assembly product

Series name

Color: S...Natural, TR...Tomato red

Sub model number

Connector suitable for potting

Packaging style: Embossed taping