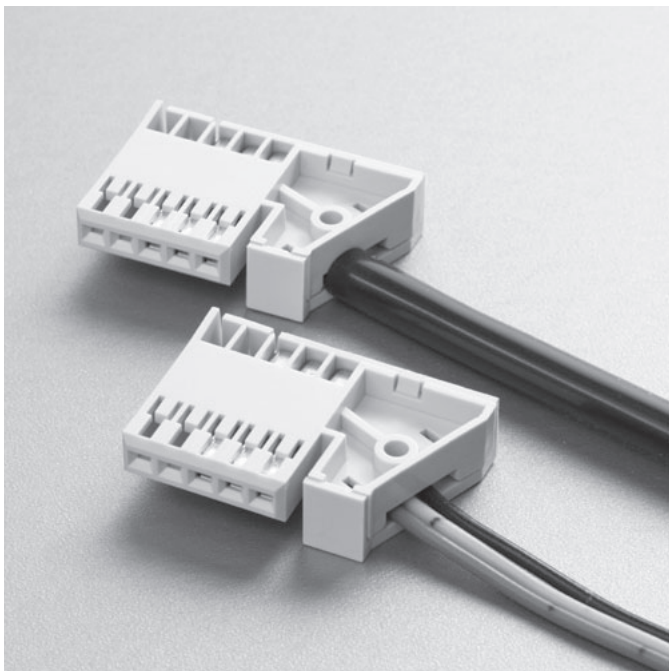


# PFW CONNECTOR

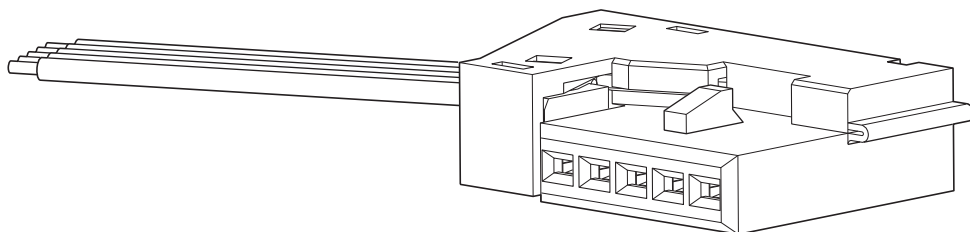
Wire-to-wire



This connector has versatile terminal and is used for top column module.

## ■ Features

- Versatile Terminal : Crimping or Soldered FFC
- Top column Module

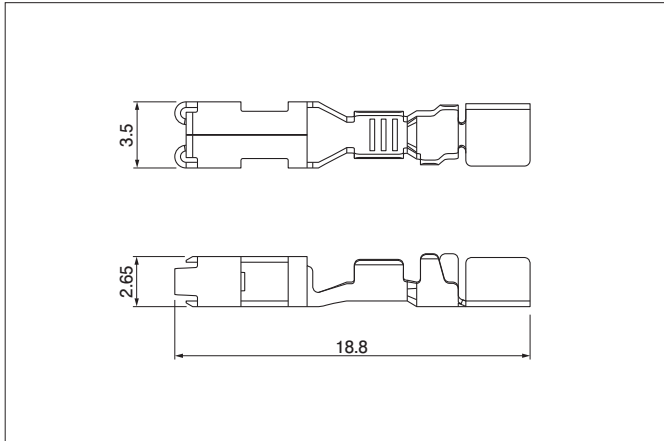


## ■ Specifications

- Current rating: 5A AC, DC (0.5mm<sup>2</sup>)
- Voltage rating: 14V DC
- Temperature range: -40°C to +85°C  
(including temperature rise in applying electrical current)
- Insulation resistance: 100MΩ min.
- Withstanding voltage: 1,000V AC/minute
- Applicable wire: 0.5mm<sup>2</sup>

\* Compliant with ELV/RoHS.  
\* Contact JST for details.

## Female terminal

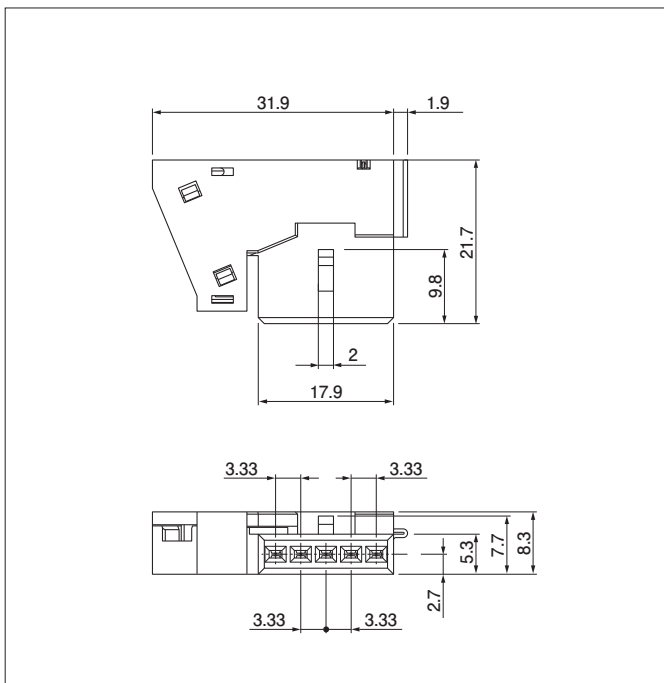


Model No.	Applicable wire range		Q'ty/reel
	Conductor (mm <sup>2</sup> )	Insulation O.D. (mm)	
SPFW-03T-PW	0.5	1.4 to 1.8	6,000

### Material and Finish

Copper alloy, selective tin-plated

## Female connector



Circuits	Model No.	Q'ty/box
5	PFWR-05-H	1,000

### Material

PA 66, UL94V-0, gray

## Crimping machine, Applicator

Strip terminal	Crimping machine	Crimp applicator MKS-L	
		Dies	Crimp applicator with dies
SPFW-03T-PW	AP-K2N	MK/SPFW-03-PW	APLMK SPFW03-PW

Note: When crimping operation is conducted using an applicator and die set other than the above, JST cannot guarantee the performance of the terminal.