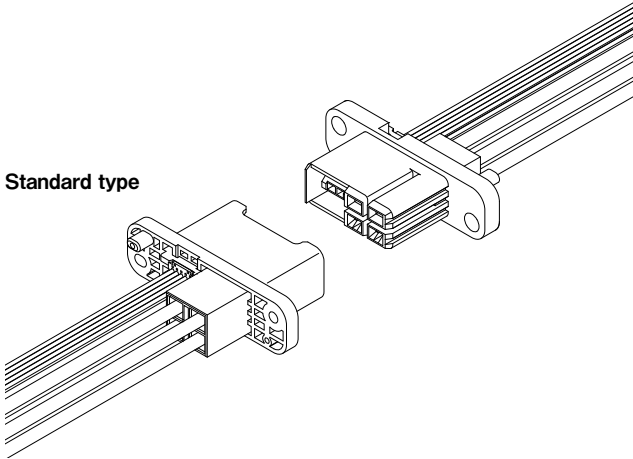


RWZ CONNECTOR

Wire-to-wire connectors

Standard type



In unit connection, this RWZ connector is a hybrid type dual-row drawer connector with combined signal and power supply circuits, absorbs misalignment between units, and excels durability.

- High durability
- Absorbed misalignment mechanism
- Space saving
- Hybrid type

Specifications

- Current rating: Signal circuit: 1.0 A AC/DC (AWG #26)
Power supply circuit: 15 A AC/DC (AWG #14)
- Voltage rating: Signal circuit: 50 V AC/DC
Power supply circuit: 250 V AC/DC
- Temperature range: -25°C to +85°C
(including temperature rise in applying electrical current)
- Contact resistance:
 - Signal circuit: Initial value/ 40 mΩ max.
After environmental tests/ 60 mΩ max.
 - Power supply circuit: Initial value/ 10 mΩ max.
After environmental tests/ 20 mΩ max.
- Insulation resistance: 500 MΩ min.
- Withstanding voltage: Signal circuit: 500 VAC
Power supply circuit: 1,500 VAC
- Applicable wire range:
 - Power supply circuit: Conductor size/ AWG #24 to #14
Insulation O.D./ ϕ 1.4 mm to ϕ 3.6 mm
 - Signal circuit: Applicable socket/ CZ & CZH connectors
- Mounting method: Screw
- Guarantee of repeated mating/unmating performance: 20000 cycles

* Please refer to the "Handling Precautions for Terminals and Connectors" on our website (listed in the "Technical Documents" column on the Product Information page) before use.

- * RoHS2 compliance
- * Dimensional unit: mm
- * Contact JST for details.

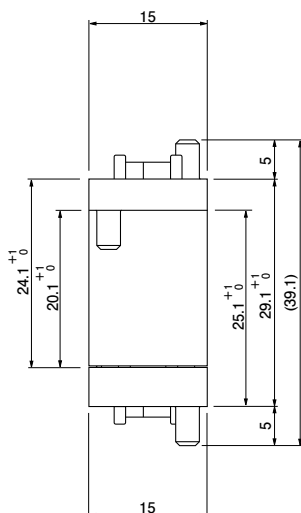
Standard

For information on overseas standard registrations, please refer to the "List of Registered Overseas Standards" on our website (listed in the "Technical Documents" column on the Product Information page).

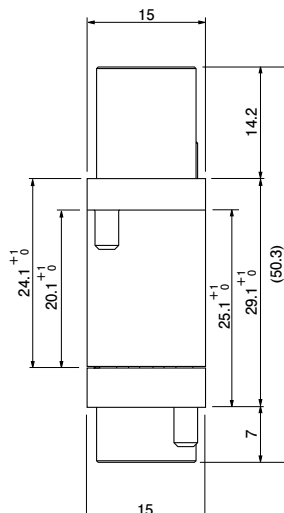
※ The general specifications mentioned above are defined in the product specifications for this series. Please note that registered standards may differ.

Assembly layout

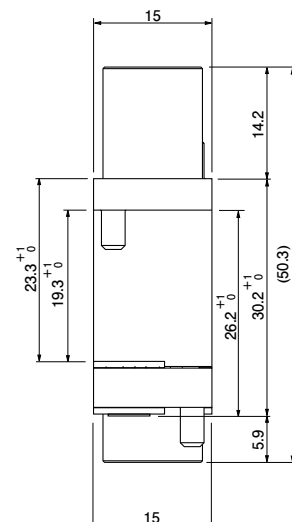
Standard type
Signal type



Standard type
Hybrid type



Floating bushing type
Hybrid type

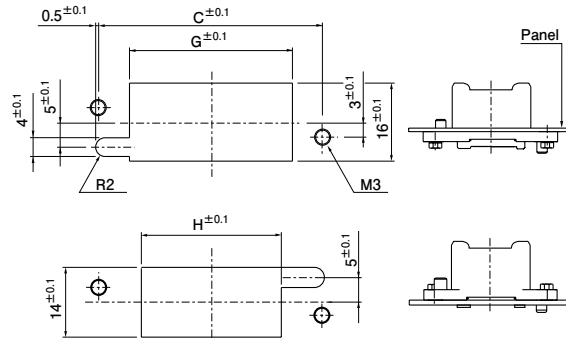


Panel layout

Plug

Standard type

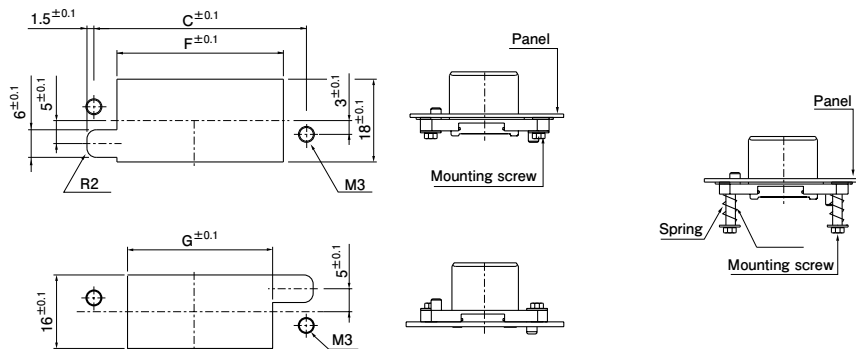
Panel thickness: 0.8 to 2.0 mm



Receptacle

Standard type

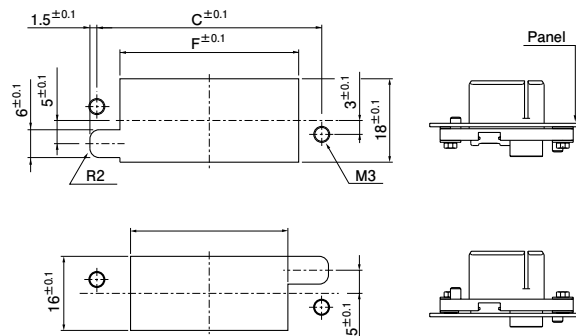
Panel thickness: 0.8 to 2.0 mm



Receptacle

Floating bushing type

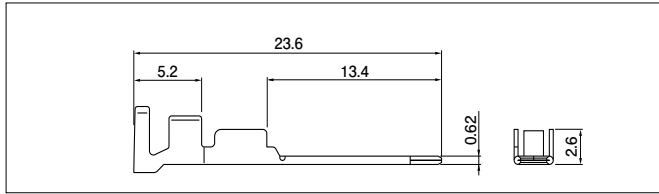
Panel thickness: 0.8 to 2.0 mm



- Note: 1. Punch holes in the panel according to the figures shown above. Burrs must be removed.
 2. The strength of the panel must be considered when punching two or more holes.
 3. The connector must be inserted from the same side as the hole is punched.

RWZ CONNECTOR

Plug contact for power supply circuit



| Model No. | Applicable wire range | | Insulation O.D. (mm) | Q'ty/reel |
|----------------|-----------------------|----------|----------------------|-----------|
| | mm ² | AWG # | | |
| SRWM-01GG-S0.6 | 0.2 to 0.5 | 24 to 20 | 1.4 to 1.9 | 4,000 |
| SRWM-21GG-S0.6 | 0.3 to 0.75 | 22 to 18 | 1.55 to 3.1 | 3,000 |
| SRWM-61GG-S0.6 | 0.75 to 2.0 | 18 to 14 | 2.0 to 3.6 | 3,000 |

Material and Surface finish, etc.

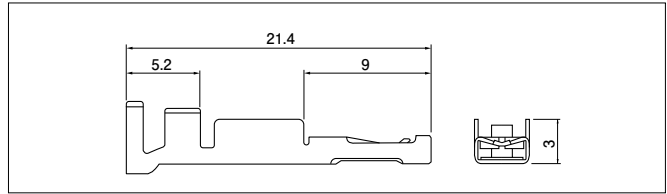
Copper alloy, nickel-undercoated, selective gold-plated, tin-plated

RoHS2 compliance This product displays (LF)(SN) on a label.

| Contact | Crimping machine | Applicator | | |
|----------------|------------------|------------------|-----------------|----------------------------|
| | | Crimp applicator | Dies | Crimp applicator with dies |
| SRWM-01GG-S0.6 | AP-K2N | MKS-L | MK/SRPF/M-01-06 | APLMK SRPF/M01-06 |
| SRWM-21GG-S0.6 | | | MK/SRPF/M-21-06 | APLMK SRPF/M21-06 |
| SRWM-61GG-S0.6 | | | MK/SRPF/M-61-06 | APLMK SRPF/M61-06 |

Note: Contact JST for fully automatic crimping applicator.

Receptacle contact for power supply circuit



| Model No. | Applicable wire range | | Insulation O.D. (mm) | Q'ty/reel |
|----------------|-----------------------|----------|----------------------|-----------|
| | mm ² | AWG # | | |
| SRWF-01GG-M0.6 | 0.2 to 0.5 | 24 to 20 | 1.4 to 1.9 | 4,000 |
| SRWF-21GG-M0.6 | 0.3 to 0.75 | 22 to 18 | 1.55 to 3.1 | 3,000 |
| SRWF-61GG-M0.6 | 0.75 to 2.0 | 18 to 14 | 2.0 to 3.6 | 3,000 |

Material and Surface finish, etc.

Copper alloy, nickel-undercoated, selective gold-plated, tin-plated

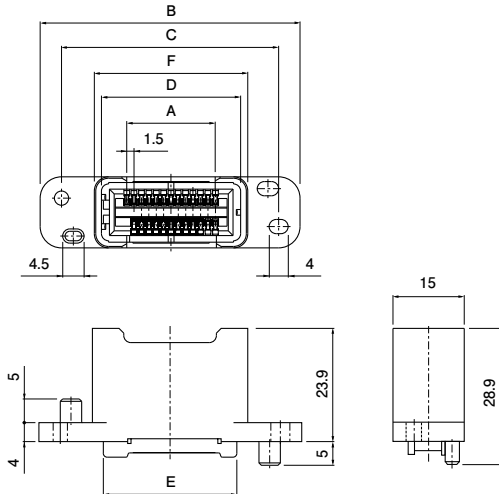
RoHS2 compliance This product displays (LF)(SN) on a label.

| Contact | Crimping machine | Applicator | | |
|----------------|------------------|------------------|-----------------|----------------------------|
| | | Crimp applicator | Dies | Crimp applicator with dies |
| SRWM-01GG-S0.6 | AP-K2N | MKS-L | MK/SRPF/M-01-06 | APLMK SRPF/M01-06 |
| SRWM-21GG-S0.6 | | | MK/SRPF/M-21-06 | APLMK SRPF/M21-06 |
| SRWM-61GG-S0.6 | | | MK/SRPF/M-61-06 | APLMK SRPF/M61-06 |

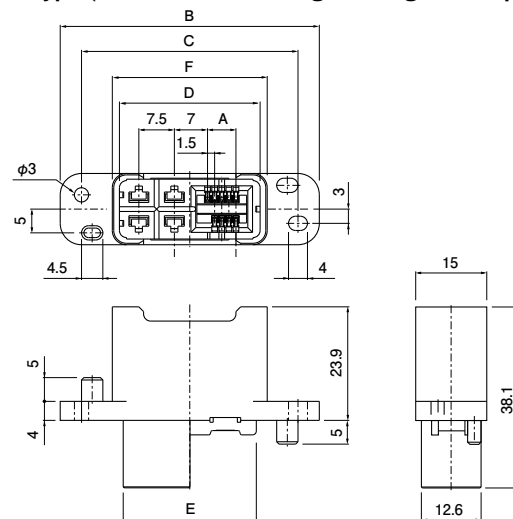
Note: Contact JST for fully automatic crimping applicator.

Plug

Standard/Signal circuit type



Standard/Hybrid type (Connector with integrated signal and power)



| No. of circuits | Model No. | Dimensions (mm) | | | | | | | | Q'ty/box |
|-----------------|---------------|-----------------|------|------|------|------|------|------|------|----------|
| | | A | B | C | D | E | F | G | H | |
| 25 | 25P-RWZV-K4GG | 18.0 | 53.2 | 44.2 | 28.2 | 26.6 | 31.2 | 32.2 | 27.6 | 240 |
| 31 | 31P-RWZV-K4GG | 22.5 | 57.7 | 48.7 | 32.7 | 31.1 | 35.7 | 36.7 | 32.1 | 216 |
| 33 | 33P-RWZV-K4GG | 24.0 | 59.2 | 50.2 | 34.2 | 32.6 | 37.2 | 38.2 | 33.6 | 192 |

Material and Surface finish, etc.

Contact: Copper alloy, nickel-undercoated, selective gold-plated, tin-plated
Housing: Thermoplastic resin, black

RoHS2 compliance This product displays (LF)(SN) on a label.

※ For flame retardant grade of resin material used, please refer to the "List of Registered Overseas Standards" on our website (listed in the "Technical Documents" column on the Product Information page).

| No. of circuits | Model No. | Dimensions (mm) | | | | | | | | Q'ty/box |
|-----------------|------------------|-----------------|------|------|------|------|------|------|------|----------|
| | | A | B | C | D | E | F | G | H | |
| 2 | 39P-RWZV-K4GG-P2 | 28.5 | 69.7 | 60.7 | 44.7 | 43.1 | 47.7 | 48.7 | 44.1 | 168 |
| 4 | 9P-RWZV-K4GG-P4 | 6.0 | 54.7 | 45.7 | 29.7 | 28.1 | 32.7 | 33.7 | 29.1 | 216 |
| | 13P-RWZV-K4GG-P4 | 9.0 | 57.7 | 48.7 | 32.7 | 31.1 | 35.7 | 36.7 | 32.1 | 216 |
| 6 | 21P-RWZV-K4GG-P4 | 15.0 | 63.7 | 54.7 | 38.7 | 37.1 | 41.7 | 42.7 | 38.1 | 192 |
| | 19P-RWZV-K4GG-P6 | 13.5 | 69.7 | 60.7 | 44.7 | 43.1 | 47.7 | 48.7 | 44.1 | 168 |
| | 23P-RWZV-K4GG-P6 | 16.5 | 72.7 | 63.7 | 47.7 | 46.1 | 50.7 | 51.7 | 47.1 | 144 |

Material and Surface finish, etc.

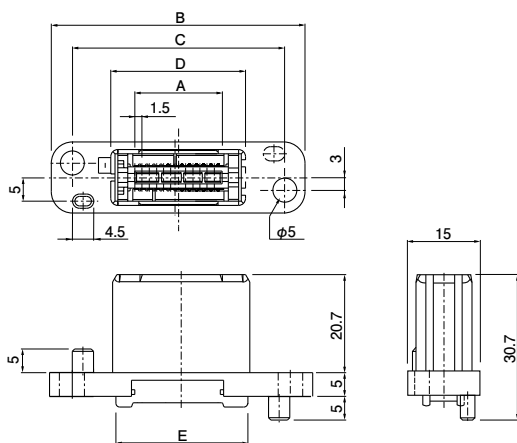
Signal contact: Copper alloy, nickel-undercoated, selective gold-plated, tin-plated
Housing: Thermoplastic resin, black

RoHS2 compliance This product displays (LF)(SN) on a label.

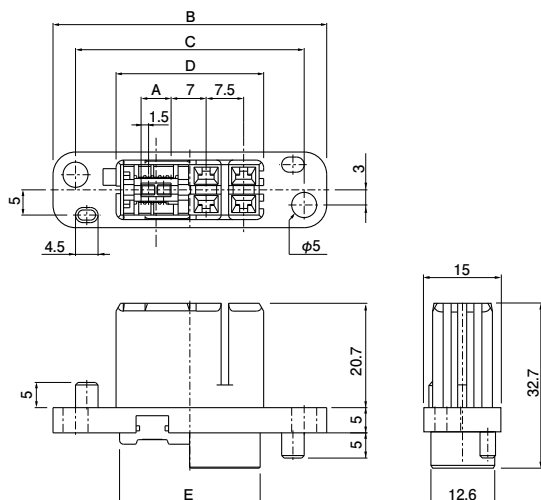
※ For flame retardant grade of resin material used, please refer to the "List of Registered Overseas Standards" on our website (listed in the "Technical Documents" column on the Product Information page).

Receptacle

Standard/Signal circuit type



Standard/ Hybrid type (Connector with integrated signal and power)



| No. of circuits | Power supply | Signal | Model No. | Dimensions (mm) | | | | | | | Q'ty/box |
|-----------------|--------------|--------|---------------|-----------------|------|------|------|------|------|------|----------|
| | | | | A | B | C | D | E | F | G | |
| 25 | | | 25R-RWZV-K2GG | 18.0 | 53.2 | 44.2 | 28.0 | 26.6 | 34.2 | 29.6 | 240 |
| 31 | | | 31R-RWZV-K2GG | 22.5 | 57.7 | 48.7 | 32.5 | 31.1 | 38.7 | 34.1 | 216 |
| 33 | | | 33R-RWZV-K2GG | 24.0 | 59.2 | 50.2 | 34.0 | 32.6 | 40.2 | 35.6 | 240 |

Material and Surface finish, etc.

Contact: Copper alloy, nickel-undercoated, selective gold-plated, tin-plated
Housing: Thermoplastic resin, black

RoHS2 compliance This product displays (LF)(SN) on a label.

※ For flame retardant grade of resin material used, please refer to the "List of Registered Overseas Standards" on our website (listed in the "Technical Documents" column on the Product Information page).

| No. of circuits | Power supply | Signal | Model No. | Dimensions (mm) | | | | | | | Q'ty/box |
|-----------------|--------------|--------|------------------|-----------------|------|------|------|------|------|------|----------|
| | | | | A | B | C | D | E | F | G | |
| 2 | 39 | | 39R-RWZV-K2GG-P2 | 28.5 | 69.7 | 60.7 | 44.5 | 43.1 | 50.7 | 46.1 | 168 |
| | 9 | | 09R-RWZV-K2GG-P4 | 6.0 | 54.7 | 45.7 | 29.5 | 28.1 | 35.7 | 31.1 | 216 |
| 4 | 13 | | 13R-RWZV-K2GG-P4 | 9.0 | 57.7 | 48.7 | 32.5 | 31.1 | 38.7 | 34.1 | 216 |
| | 21 | | 21R-RWZV-K2GG-P4 | 15.0 | 63.7 | 54.7 | 38.5 | 37.1 | 44.7 | 40.1 | 192 |
| 6 | 19 | | 19R-RWZV-K2GG-P6 | 13.5 | 69.7 | 60.7 | 44.5 | 43.1 | 50.7 | 46.1 | 168 |
| | 23 | | 23R-RWZV-K2GG-P6 | 16.5 | 72.7 | 63.7 | 47.5 | 46.1 | 53.7 | 49.1 | 144 |

Material and Surface finish, etc.

Signal contact: Copper alloy, nickel-undercoated, selective gold-plated, tin-plated
Housing: Thermoplastic resin, black

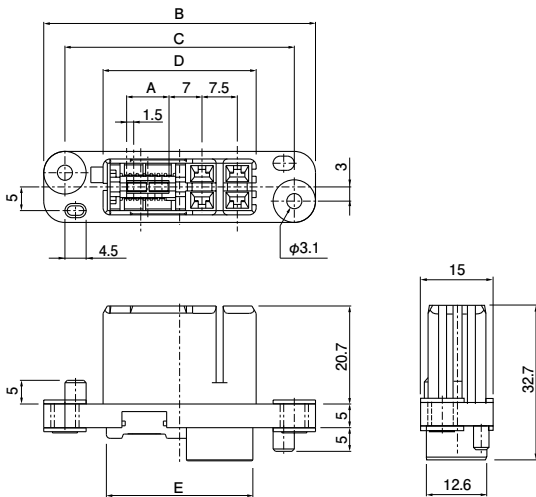
RoHS2 compliance This product displays (LF)(SN) on a label.

※ For flame retardant grade of resin material used, please refer to the "List of Registered Overseas Standards" on our website (listed in the "Technical Documents" column on the Product Information page).

RWZ CONNECTOR

Receptacle

Floating bushing/ Hybrid type (Connector with integrated signal and power)



| No. of circuits | | Model No. | Dimensions (mm) | | | | | | | Q'ty/ box |
|-----------------|--------|--------------------|-----------------|------|------|------|------|------|------|--------------|
| Power supply | Signal | | A | B | C | D | E | F | G | |
| 2 | 39 | 39R-RWZV-K2GG-P2BM | 28.5 | 69.7 | 60.7 | 44.5 | 43.1 | 50.7 | 46.1 | 168 |
| 4 | 9 | 09R-RWZV-K2GG-P4BM | 6.0 | 54.7 | 45.7 | 29.7 | 28.1 | 35.7 | 31.1 | 216 |
| | 21 | 21R-RWZV-K2GG-P4BM | 15.0 | 63.7 | 54.7 | 38.5 | 37.1 | 44.7 | 40.1 | 192 |

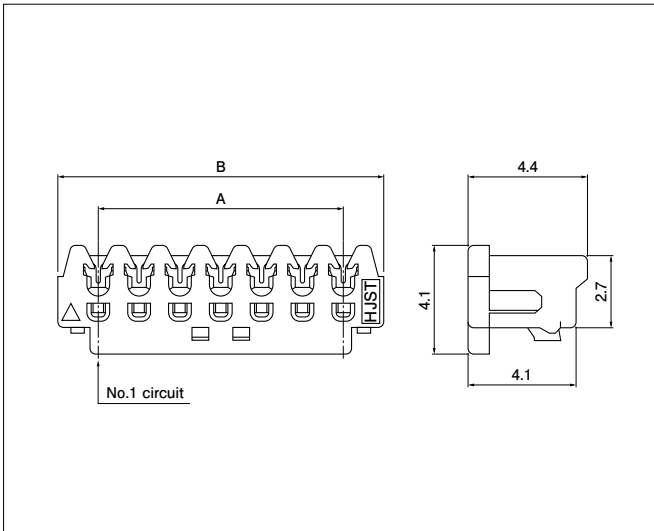
Material and Surface finish, etc.

Signal contact: Copper alloy, nickel-undercoated, selective gold-plated, tin-plated
Housing: Thermoplastic resin, black
Washer: Copper alloy, nickel-plated
Floating rivet: Copper alloy, nickel-plated

RoHS2 compliance This product displays (LF) (SN) B on a label.

※ For flame retardant grade of resin material used, please refer to the "List of Registered Overseas Standards" on our website (listed in the "Technical Documents" column on the Product Information page).

CZ connector socket



| No. of circuits | Model No. | Dimensions (mm) | | Q'ty/box |
|-----------------|-----------|-----------------|------|----------|
| | | A | B | |
| 4 | 04CZ-6H | 4.5 | 7.5 | 2,000 |
| 5 | 05CZ-6H | 6.0 | 9.0 | 2,000 |
| 6 | 06CZ-6H | 7.5 | 10.5 | 2,000 |
| 7 | 07CZ-6H | 9.0 | 12.0 | 2,000 |
| 9 | 09CZ-6H | 12.0 | 15.0 | 1,000 |
| 10 | 10CZ-6H | 13.5 | 16.5 | 1,000 |
| 11 | 11CZ-6H | 15.0 | 18.0 | 1,000 |
| 12 | 12CZ-6H | 16.5 | 19.5 | 1,000 |
| 13 | 13CZ-6H | 18.0 | 21.0 | 1,000 |
| 15 | 15CZ-6H | 21.0 | 24.0 | 1,000 |
| 16 | 16CZ-6H | 22.5 | 25.5 | 1,000 |
| 17 | 17CZ-6H | 24.0 | 27.0 | 1,000 |
| 19 | 19CZ-6H | 27.0 | 30.0 | 1,000 |
| 20 | 20CZ-6H | 28.5 | 31.5 | 1,000 |

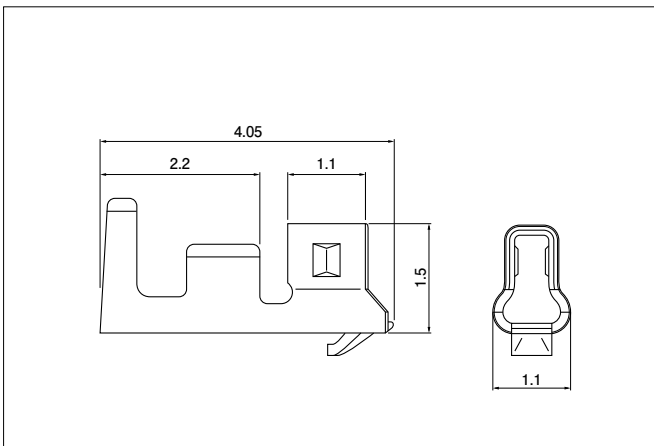
Material and Surface finish, etc.

Contact: Copper alloy, tin-plated
Housing: Thermoplastic resin, natural

RoHS2 compliance

※ For flame retardant grade of resin material used, please refer to the "List of Registered Overseas Standards" on our website (listed in the "Technical Documents" column on the Product Information page).

CZH connector contact



| Model No. | Applicable wire range | | Insulation O.D. (mm) | Q'ty/reel |
|----------------|-----------------------|----------|----------------------|-----------|
| | mm ² | AWG # | | |
| SCZH-002T-P0.5 | 0.08 to 0.13 | 28 to 26 | 0.8 to 1.1 | 13,000 |

Material and Surface finish, etc.

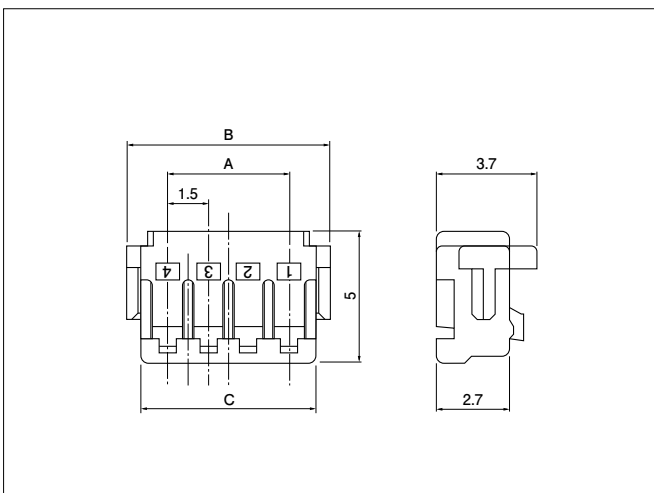
Copper alloy, tin-plated

RoHS2 compliance

| Contact | Crimping machine | Applicator | | |
|----------------|------------------|------------------|----------------|----------------------------|
| | | Crimp applicator | Dies | Crimp applicator with dies |
| SCZH-002T-P0.5 | AP-K2N | MKS-L | MK/SCZH-002-05 | APLMK SCZH002-05 |

Note: Contact JST for fully automatic crimping applicator.

CZH connector housing



| No. of circuits | Model No. | Dimensions (mm) | | | Q'ty/box |
|-----------------|------------|-----------------|------|------|----------|
| | | A | B | C | |
| 4 | CZHR-04V-S | 4.5 | 7.5 | 6.5 | 1,000 |
| 5 | CZHR-05V-S | 6.0 | 9.0 | 8.0 | 1,000 |
| 6 | CZHR-06V-S | 7.5 | 10.5 | 9.5 | 1,000 |
| 7 | CZHR-07V-S | 9.0 | 12.0 | 11.0 | 1,000 |
| 9 | CZHR-09V-S | 12.0 | 15.0 | 14.0 | 1,000 |
| 10 | CZHR-10V-S | 13.5 | 16.5 | 15.5 | 1,000 |
| 11 | CZHR-11V-S | 15.0 | 18.0 | 17.0 | 1,000 |
| 12 | CZHR-12V-S | 16.5 | 19.5 | 18.5 | 1,000 |
| 13 | CZHR-13V-S | 18.0 | 21.0 | 20.0 | 1,000 |
| 15 | CZHR-15V-S | 21.0 | 24.0 | 23.0 | 1,000 |
| 16 | CZHR-16V-S | 22.5 | 25.5 | 24.5 | 1,000 |
| 17 | CZHR-17V-S | 24.0 | 27.0 | 26.0 | 1,000 |
| 19 | CZHR-19V-S | 27.0 | 30.0 | 29.0 | 1,000 |
| 20 | CZHR-20V-S | 28.5 | 31.5 | 30.5 | 1,000 |

Material and Surface finish, etc.

Thermoplastic resin, natural

RoHS2 compliance

※ For flame retardant grade of resin material used, please refer to the "List of Registered Overseas Standards" on our website (listed in the "Technical Documents" column on the Product Information page).