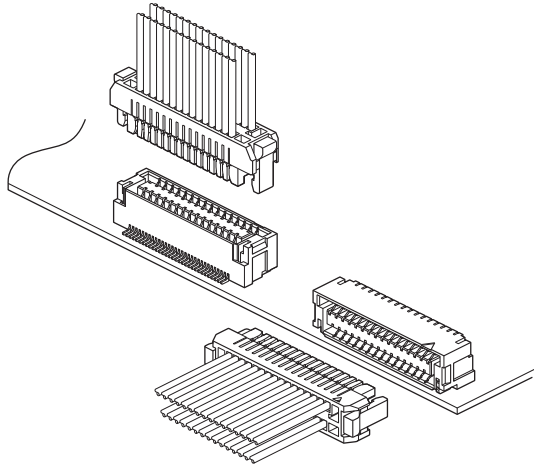


SHLV CONNECTOR

1.0 mm pitch/Wire-to-Board connectors/Crimp style and Mating style



This is a wire-to-board connector for LVDS (Low Voltage Differential Signaling) interfaces inside digital display devices such as liquid crystal monitors and flat-screen TVs, which has excellent workability and robustness. It can also be used in general circuits as multi-circuit connector with compact and space-saving.

- Adapted for LVDS (Low Voltage Differential Signaling) transmission
- Secure lock mechanism
- Excellent resistance to mating/unmating operation with prying

Standards

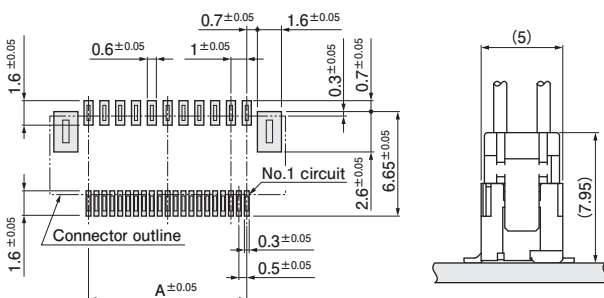
☑ : Recognized E 60389

Specifications

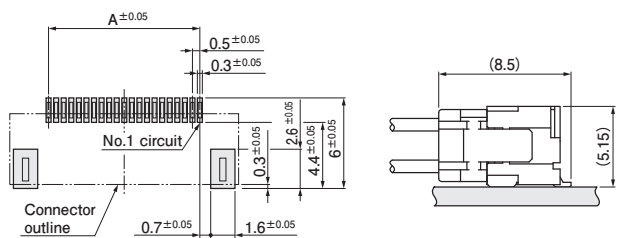
- Current rating: 1.0 A AC/DC (AWG #28)
- Voltage rating: 30 V AC/DC
- Temperature range: -25°C to +85°C
(including temperature rise in applying electrical current)
- Contact resistance:
 - Initial value/ 30 mΩ max.
 - After environmental tests/ 50 mΩ max.
- Insulation resistance: 100 MΩ min.
- Withstanding voltage:
 - There shall be no breakdown or flashover while applying 250 VAC for one minute.
- Applicable wire range:
 - Conductor size/ AWG #32 to AWG #28
 - Insulation O.D. / φ 0.4 mm to φ 0.8 mm
- * In using the products, refer to "Handling Precautions for Terminals and Connectors" described on our website (Technical documents of Product information page).
- * RoHS2 compliance
- * Dimensional unit: mm
- * Contact JST for details.

PC board layout and Assembly layout

Top entry type



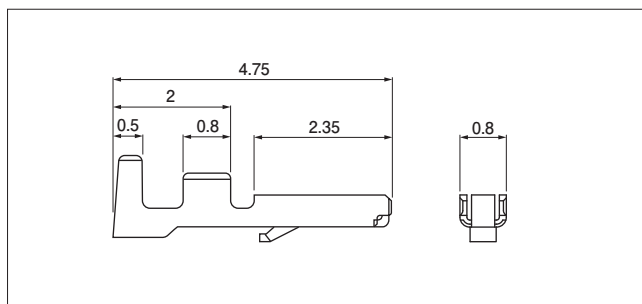
Side entry type



- Note: 1. The figure of PC board layout is the figure viewed from the connector mounting side.
 2. Dimension A: See "Header" section on page 2.
 3. Tolerance for the PCB pattern pitch shall be ± 0.05, and shall not accumulate more than ± 0.05.
 4. The above dimensions are reference values. Please contact JST for details.

SHLV CONNECTOR

Contact



Model No.	Applicable wire range		Q'ty/ reel
	Conductor size AWG (mm ²)	Insulation O.D. (mm)	
SSHL-003GA1-P0.2	#32 to #28 (0.032 to 0.08)	0.4 to 0.8	41,000

Material and Surface finish, etc.

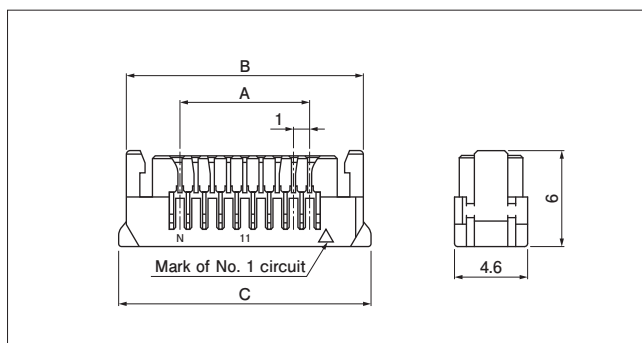
Phosphor bronze, nickel-undercoated, selective gold-plated
Mating part: gold-plated
Crimping part: gold-plated

Crimping machine

Contact	Crimping machine	Applicator	Crimp applicator with dies
SSHL-003GA1-P0.2	AP-K2N	MKS-L-10-3	APLMK SSH/L003-02

Note: Contact JST for fully automatic crimping applicator.

Socket housing

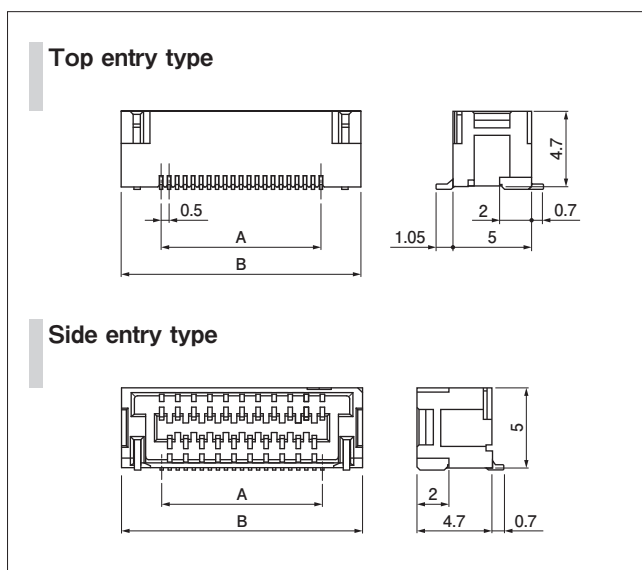


No. of circuits	Model No.	Dimensions (mm)			Q'ty/bag
		A	B	C	
21	SHLVP-21V-S-1	10.0	16.7	17.7	3,000
31	SHLVP-31V-S-1	15.0	21.7	22.7	2,000

Material and Surface finish, etc.

PBT, UL94V-0, natural (white)

Header



Top entry type

No. of circuits	Model No.	Dimensions (mm)		Q'ty/reel
		A	B	
21	BM21B-SHLVS-G-TBT	10.0	15.0	1,500
31	BM31B-SHLVS-G-TBT	15.0	20.0	1,500

Material and Surface finish, etc.

Base contact: Phosphor bronze, nickel-undercoated, gold-plated
Wafer: Polyamide, UL94V-0, natural (ivory)
Reinforcing tab: Brass, copper-undercoated, tin-plated

Note: 1. This product displays (LF)(SN) on a label.
2. The products listed above are supplied on embossed-tape.

Side entry type

No. of circuits	Model No.	Dimensions (mm)		Q'ty/reel
		A	B	
21	SM21B-SHLVS-G-TB	10.0	15.0	2,000
31	SM31B-SHLVS-G-TB	15.0	20.0	2,000

Material and Surface finish, etc.

Base contact: Phosphor bronze, nickel-undercoated, gold-plated
Wafer: Polyamide, UL94V-0, natural (ivory)
Reinforcing tab: Brass, copper-undercoated, tin-plated

Note: 1. This product displays (LF)(SN) on a label.
2. The products listed above are supplied on embossed-tape.

SHLV CONNECTOR

Model number allocation

Contact

S SHL - 003 GA1 - P 0.2

Supply form: Strip form					
Series name					
Applicable wire range: AWG #32 to AWG #28					
Surface finish: Nickel-undercoated selective gold-plated					
Material: Phosphor bronze					
Applicable contact size					

Socket housing

SHLV P - 21 V - S - 1

Series name					
Type: Socket					
No. of circuits					
Flammability: UL94V-0					
Color: S...Natural (White), LE...Light blue					
Supplementary symbol					

Header

BM 21 B - SHLV S - G - TB T

Header type: BM...SMT top entry type SM...SMT side entry type					
No. of circuits					
Assembly product					
Series name					
Color: S...Natural (Ivory), LE...Light blue					
Surface finish: Nickel-undercoated gold-plated					
Packaging style: Embossed-taping					
Suction tape: Blank...Without suction tape (for side entry type) T...With suction tape (for top entry type)					