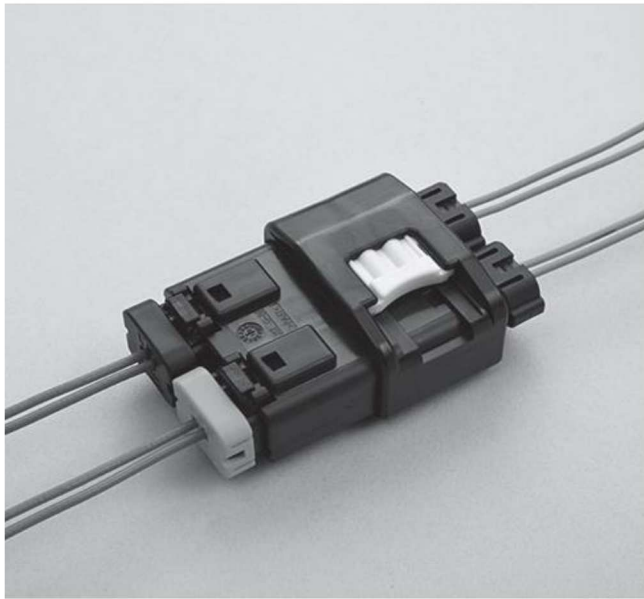
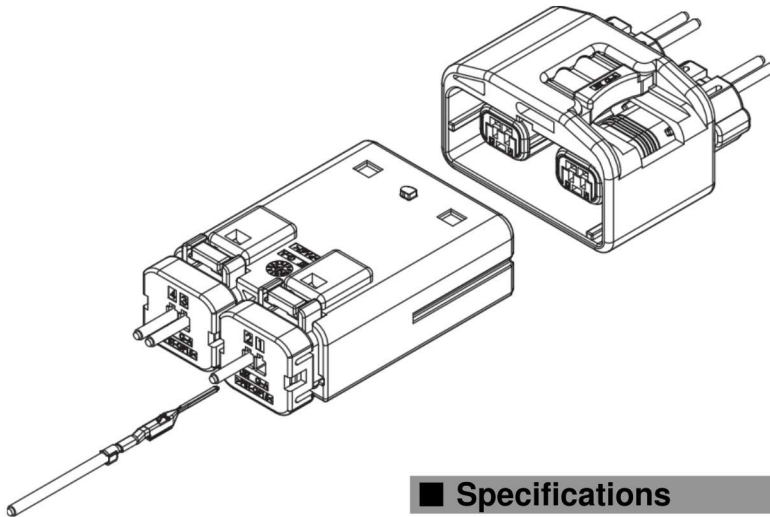


SISC CONNECTOR

Wire-to-wire/Sealed connector



0.64 mm mat sealed wire to wire connector with rigid design and spring lock mechanism. Spring force prevents half-mating during mating and keeps constant rigid connection between male and female connector.



■ Features

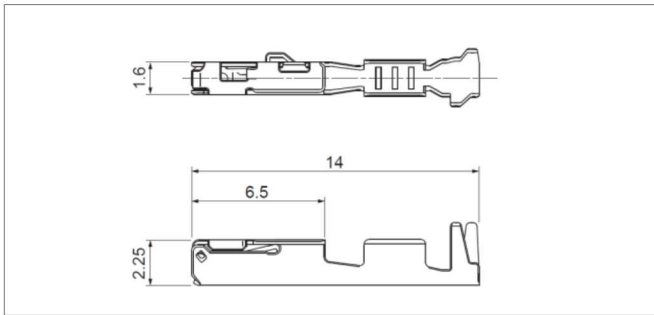
- **0.64 mm Mat Sealed Connector**
- **Anti Vibration Mechanism**
High reliability rigid connector enables to keep higher durability at shock and vibration environment.
- **Go / No-Go Mating system**
Compression spring prevents half-mating.

■ Specifications

- Current rating : 5 A AC, DC max.
- Withstanding voltage : 1,000 VAC/minute
- Temperature range : -40°C to +120°C
(including temperature rise in applying electrical current)
- Contact resistance : Initial value/ 10 mΩ max.
After environmental tests/ 20 mΩ max.
- Insulation resistance : 100 MΩ min.
- Applicable wire : AVSS/AESSXF
0.3 mm² to 0.5 mm²

*Compliant with ELV/RoHS2.
*Contact JST for details.

Female terminal

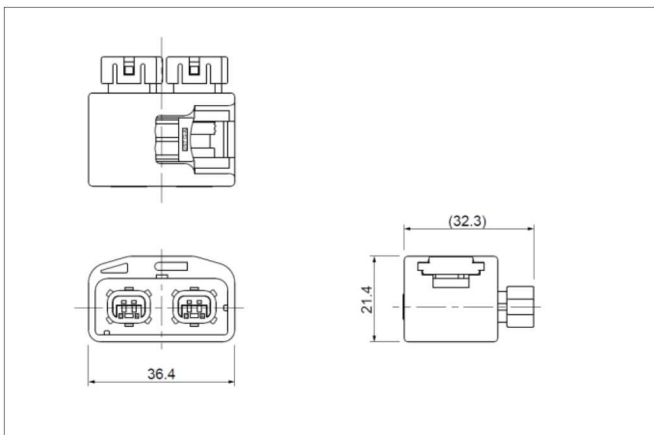


Model No.	Applicable wire range		Q'ty/reel
	Conductor (mm ²)	Insulation O.D. (mm)	
① SAIT-A03T-M064	0.3 to 0.5	≤1.9	6,500
② SAIT-A03GF-M064	0.3 to 0.5	≤1.9	6,500

Material and Finish

- ① Copper alloy, tin-plated (reflow treatment)
- ② Copper alloy, nickel-undercoated, Contact area; gold-plated Barrel area; tin-plated

Female connector

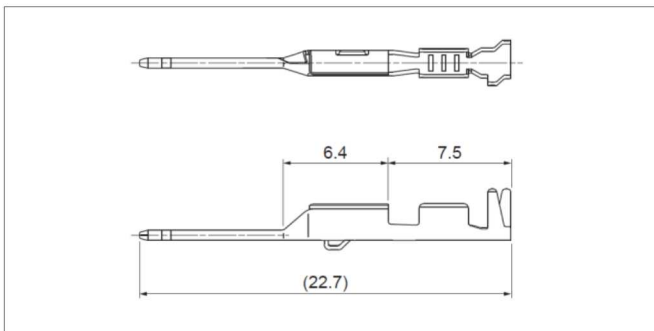


Circuits	Model No.	Housing Color	Q'ty/box
4	SISCRB-04-1A-K	Black	80
	SISCRB-04-1A-M	Green	80
	SISCRB-04-2A-Y	Yellow	80

Material and Finish

- Housing: PA
- Retainer: Glass-filled PBT, Natural
- Inner seal: Silicone, Blue
- Wire seal: Silicone, Blue
- Wire seal Cover: Glass-filled PBT, Black
- Slider: Glass-filled PBT, Natural
- Spring: SUS

Male terminal

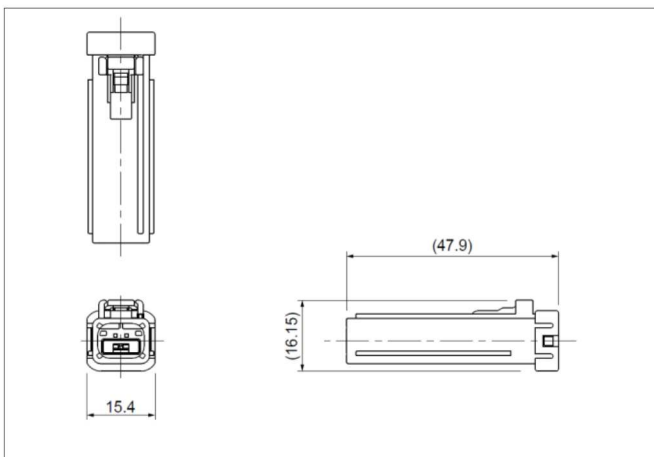


Model No.	Applicable wire range		Q'ty/reel
	Conductor (mm ²)	Insulation O.D. (mm)	
① SAITW-A03T-064	0.3 to 0.5	≤1.9	9,000
② SAITW-A03GF-064	0.3 to 0.5	≤1.9	9,000

Material and Finish

- ① Brass, tin-plated (reflow treatment)
- ② Brass, nickel-undercoated, Contact area; gold-plated Barrel area; tin-plated

Male connector

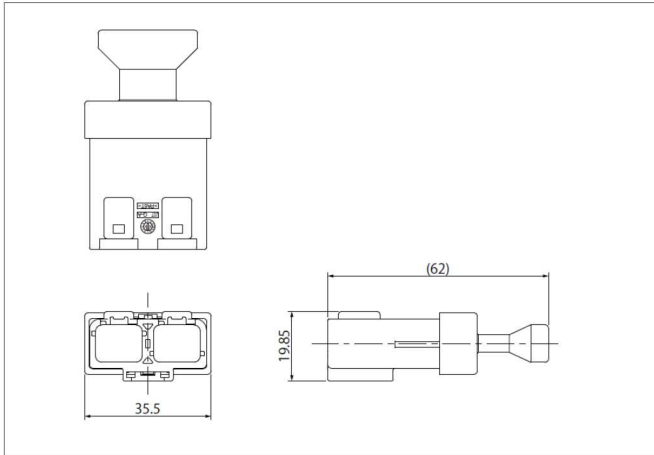


Circuits	Model No.	Wire Seal Cover Color	Q'ty/box
2	SISCPB-02-1A-K	Yellow	125
	SISCPB-02-2A-K	Black	125
	SISCPB-02-3A-K	Natural	125
	SISCPB-02-4A-K	Green	125

Material and Finish

- Housing: Glass-filled PBT, Black
- Retainer: Glass-filled PBT, Natural
- Wire seal: Silicone, Red brown
- Wire seal cover: Glass-filled PBT

Male connector holder assembly

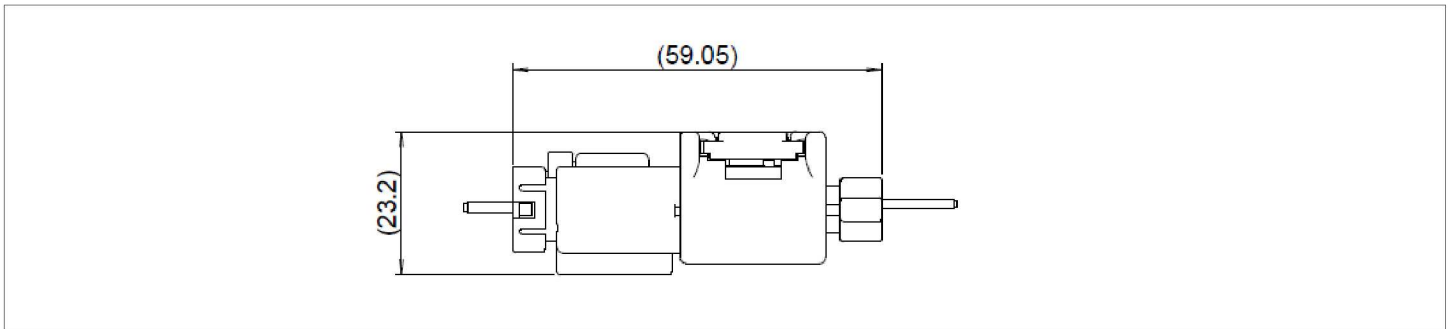


Circuits	Model No.	Housing Color	Q'ty/box
4	SISCPHB-04-1A-K	Black	40
	SISCPHB-04-1A-M	Green	40
	SISCPHB-04-2A-Y	Yellow	40

Material and Finish

Male connector holder: PA
Dust cover: PP, Natural

Assembly layout



Crimping machine, Applicator

Strip terminal	Crimping machine	Crimp applicator MKS-L	
		Dies	Crimp applicator with dies
SAIT-A03()-M064	AP-K2N	MK/SAIT-A03-064	APLMK SAIT-A03-064
SAITW-A03()-064		MK/SAITW-A03-064	APLMK SAITW-A03-064

Note: When crimping operation is conducted using an applicator and die set other than the above, JST cannot guarantee the performance of the terminal.