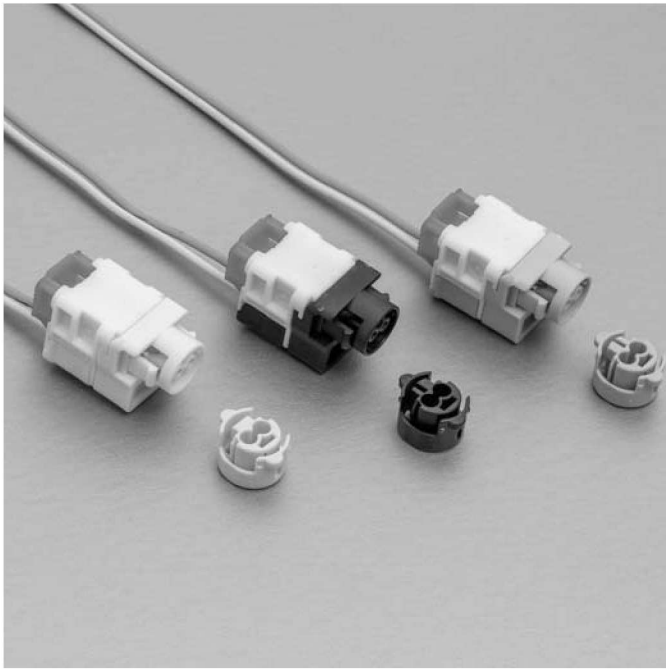


SQN CONNECTOR

Squib connectors



This connector for air-bag, conforming to ISO 19072-4 standard configuration, has intelligent CPA, which allows locking the connector, incomplete mating detection and release of short-circuit in the same time.

Features

● Inertial Locking

Intelligent CPA enables connector locking, prevent incomplete mating and release of short circuit in the same time.

● Interface and Performance

Mated with retainer designed by ISO-19072-4 specification. Connector performance fulfills ISO-19072-2 specification.

● Stability of Electrical Connection

Terminal has three contact points.

Terminal contact area is protected by ferrule to prevent any deformation.

● Noise Suppression

Ferrite core provides simple and reliable noise suppression characteristics.

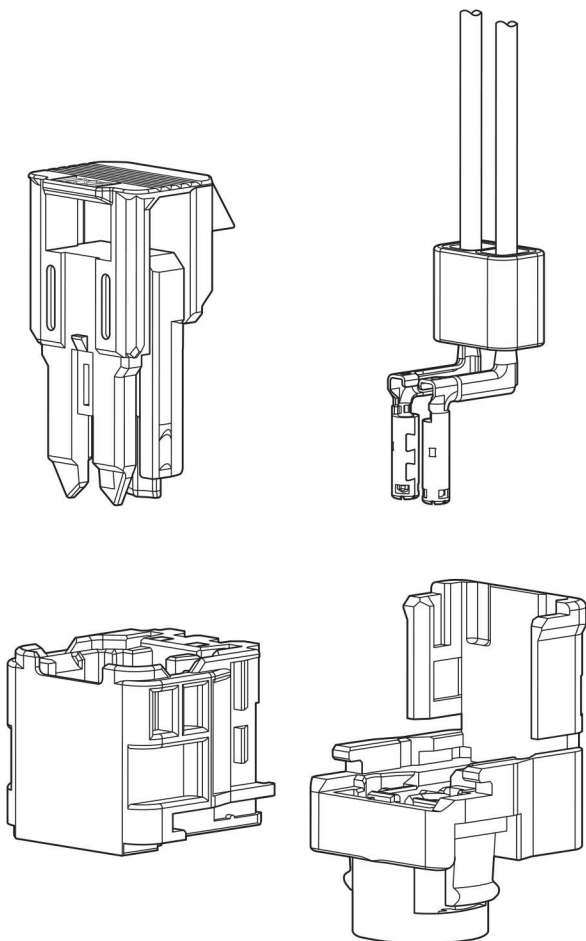
● CPA

The CPA is designed to allow a comfortable locking and avoid the gripping of the connector by another wire.

4 mm stroke provides recognition of the CPA position.

● Delivery

This connector is supplied both components and pigtail.



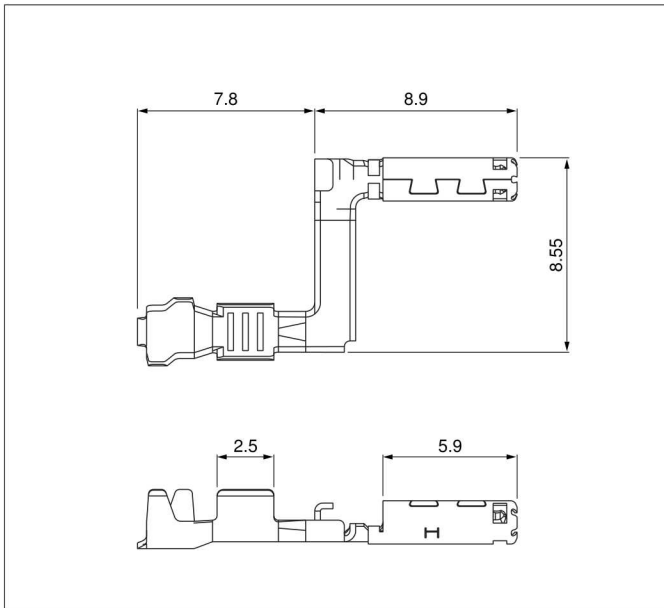
Specifications

- Current rating: 3 A AC,DC max.
- Temperature range: -40°C to +105°C (including temperature rise in applying electrical current)
- Insulation resistance: 100 MΩ min.
- Applicable wire: 0.35 mm² & 0.5 mm²

* Compliant with ELV/RoHS.

* Contact JST for details.

Female terminal

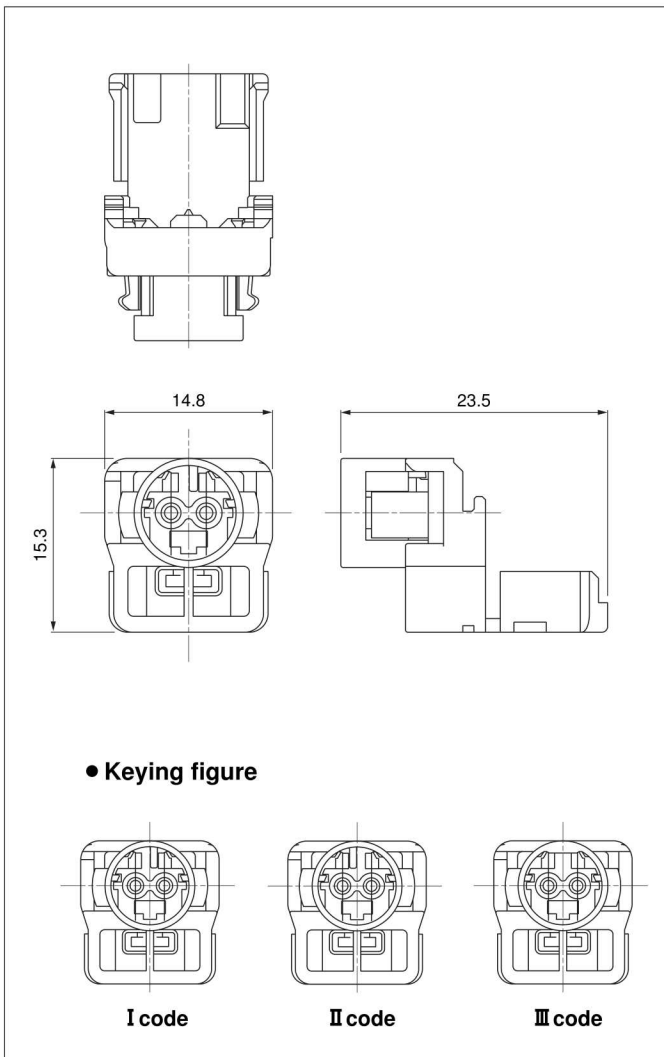


Model No.	Applicable wire range		Q'ty/reel
	Conductor (mm ²)	Insulation O.D. (mm)	
SSQN-A03GJ-P-L	0.5	1.4 to 1.7	6,000
SSQN-A03GJ-P-R	0.5	1.4 to 1.7	6,000
SSQN-A02GJ-P-L	0.35	1.25 to 1.4	6,000
SSQN-A02GJ-P-R	0.35	1.25 to 1.4	6,000

Material and Finish

Copper alloy, nickel-undercoated,
Contact area : gold-plated (0.8 μm min.)
Barrel area : tin-plated

Female housing



Circuits	Model No.	Keying figure	Q'ty/box	Color
2	SQNR-02H-1A-K	I code	500	Black
	SQNR-02H-1B-LM	II code	500	Light green
	SQNR-02H-1C-Y	III code	500	Yellow

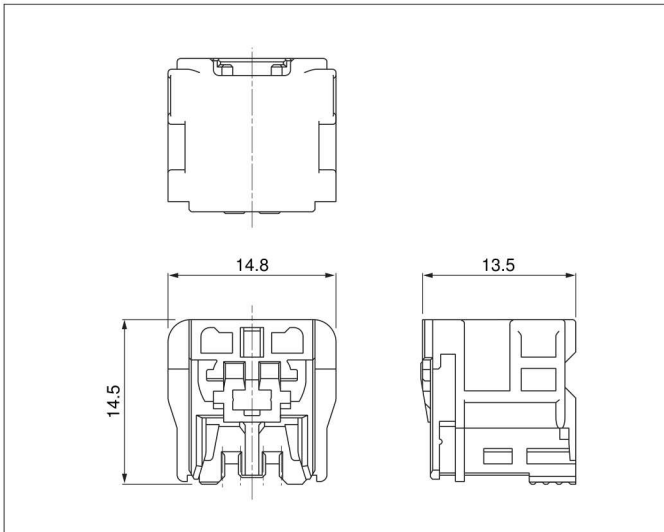
Material and Finish

Glass-filled PBT

Note: Contact JST for details.

SQN CONNECTOR

Cover housing



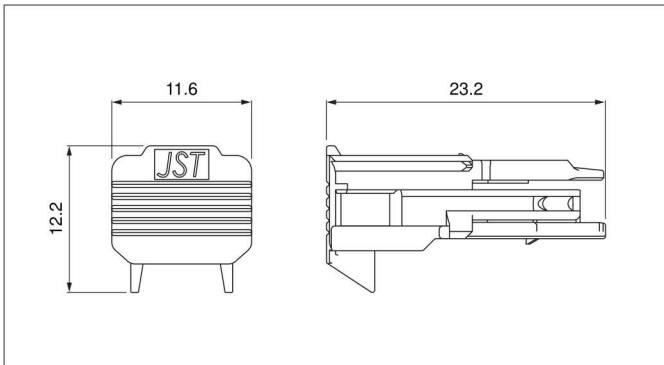
Circuits	Model No.	Wire section applicable	Q'ty/box	Color
2	SQNL-02H-1A-Y	0.5 mm ²	500	Yellow
	SQNL-02H-1D-N	0.35 mm ²	500	Brown

Material and Finish

Glass-filled PBT

Note: Contact JST for details.

CPA housing



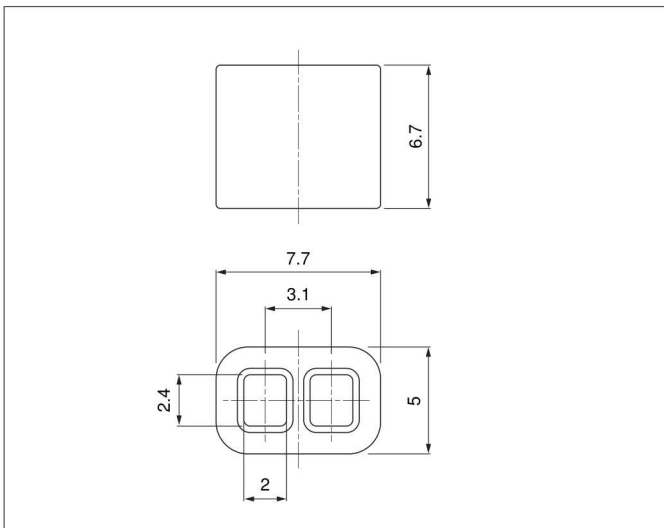
Circuits	Model No.	Q'ty/bag	Color
2	SQNC-02H-1A-D	1,000	Orange

Material and Finish

Glass-filled PBT

Note: Contact JST for details.

Ferrite



Circuits	Model No.	Q'ty/box
2	SQFF-02-1A	3,000

Note: Contact JST for details.

Crimping machine, Applicator

Strip terminal	Crimping machine	Crimp applicator MKS-L	
		Dies	Crimp applicator with dies
SSQN-A03GJ-P-L	AP-K7	CMK-DP	CDS
SSQN-A03GJ-P-R		SSQNA03-P-L/R-0.50	SSQNA03-P-L/R-0.50/CMJS-L
SSQN-A02GJ-P-L		CMK-DP	CDS
SSQN-A02GJ-P-R		SSQNA03-P-L/R-0.50	SSQNA02-P-L/R-0.35/CMJS-L

Note: When crimping operation is conducted using an applicator and die set other than the above, JST cannot guarantee the performance of the terminal.