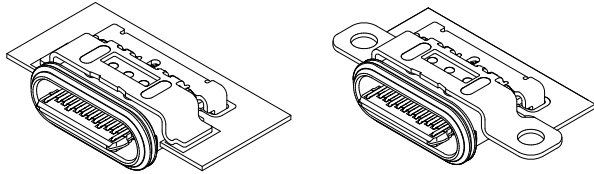




UBC CONNECTOR

USB Type-C Waterproof Connector



This UBC series is a waterproof type interface connector with an IPX8 (Submerged in 2 meters of water for up to 60 minutes) rating for ingress protection per JIS C 9020 Protection Grade 8. Reversible structure that can be inserted regardless of front or back orientation of the plug, and power supply up to maximum of 100 W. The receptacle is USB3.2 compliant with a data transmission rate of up to 20 Gbps.

- Waterproof type
- Mating cycles: 10,000
- Space-saving inner housing design
- Dual row SMT solder tails
- Halogen free

Specifications

- Current rating :
 - 1.25 A DC/Pin Vbus (A4, A9, B4, B9)
 - GND (A1, A12, B1, B12)
 - CC1 (A5)
 - CC2 (B5)
- 0.25 A DC/Pin Other circuits
- Voltage rating : 20 VAC
- Temperature range : -25°C to +85°C
(including temperature rise in applying electrical current)
- Contact resistance: Initial value / 40 mΩ max.
After environmental tests / 50 mΩ max.
- Insulation resistance : 100 MΩ min.
- Withstanding voltage: There shall be no breakdown or flashover while applying 100 VAC for one minute.

* Please refer to the “Handling Precautions for Terminals and Connectors” on our website (listed in the “Technical Documents” column on the Product Information page) before use.

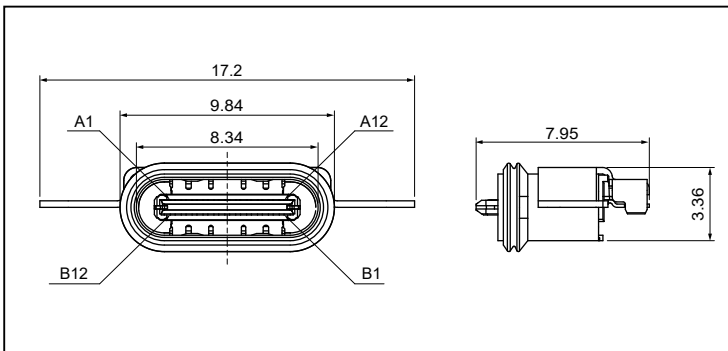
* RoHS2 compliance

* Dimensional unit: mm

* Contact JST for details.

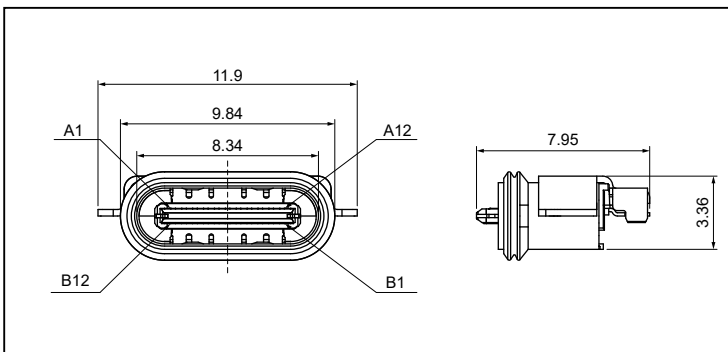
Receptacle (Mid-mount type)

- Screw type with reinforcement tabs TID : 5552



Note: A1, A12, B1, B12 are circuit numbers.

- SMT type with reinforcement tabs



Note: A1, A12, B1, B12 are circuit numbers.

Model No.	Q'ty/reel
UBC-RW10B11-504-7B-TB (HF)	1,600
Material and Surface finish, etc.	
Contact	Copper alloy, nickel-undercoated, selective gold-plated
Housing	Heat resisting resin, UL94V-0, black
EMC Pad	Stainless steel
Mid-plate	Stainless steel, gold-plated
Shell	Stainless steel
Reinforcement tab	Stainless steel, gold-plated
Gasket	Silicone rubber, black
Sealant	Cured resin

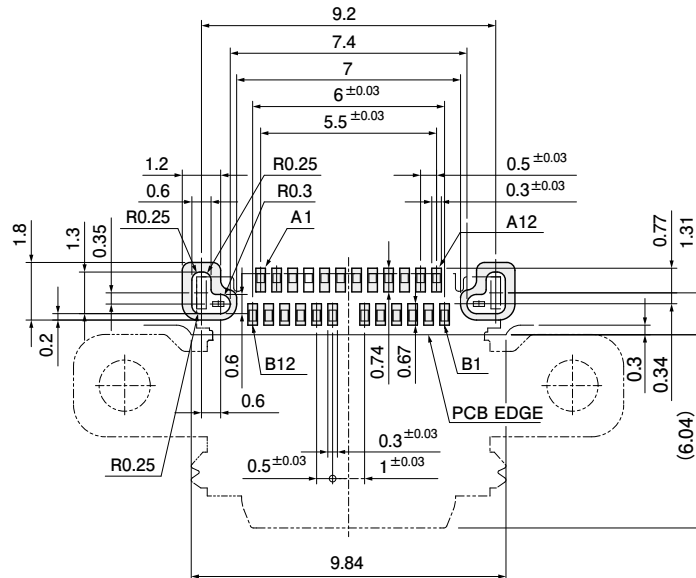
Model No.	Q'ty/reel
UBC-RW1011-504-7B-TB (HF)	1,600
Material and Surface finish, etc.	
Contact	Copper alloy, nickel-undercoated, selective gold-plated
Housing	Heat resisting resin, UL94V-0, black
EMC Pad	Stainless steel
Mid-plate	Stainless steel, gold-plated
Shell	Stainless steel
Reinforcement tab	Stainless steel, gold-plated
Gasket	Silicone rubber, black
Sealant	Cured resin

UBC CONNECTOR (Type-C Waterproof)

Receptacle (Mid-mount type)

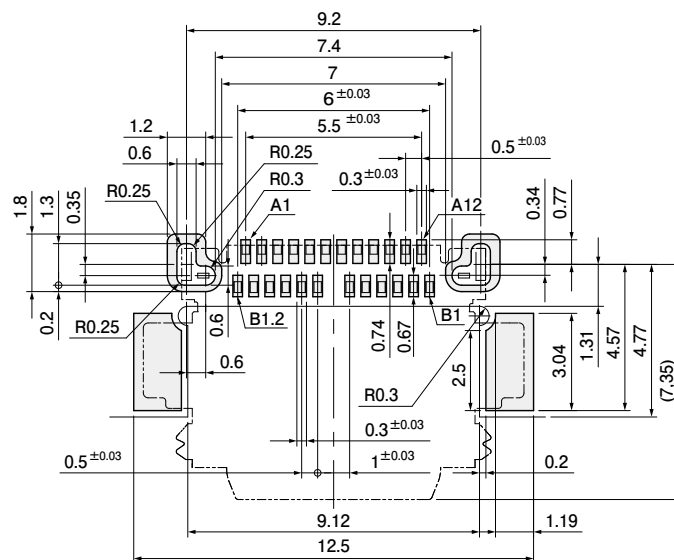
- Screw type with reinforcement tabs

Reference PCB Layout (General tolerance: ± 0.05)



- SMT type with reinforcement tabs

Reference PCB Layout (General tolerance: ± 0.05)



- Pin assignment

PCB PAD No.	A1	A2	A3	A4	A5	A6	A7	A8	A9	A10	A11	A12
	GND	TX1+	TX1-	Vbus	CC1	D+	D-	SBU1	Vbus	RX2-	RX2+	GND
PCB PAD No.	B12	B11	B10	B9	B8	B7	B6	B5	B4	B3	B2	B1
	GND	RX1+	RX1-	Vbus	SBU2	D-	D+	CC2	Vbus	TX2-	TX2+	GND