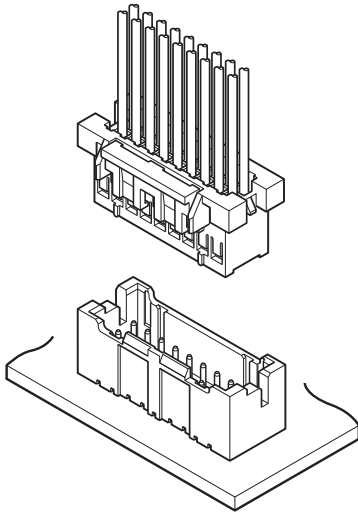


# XAD CONNECTOR

2.5 mm pitch/Wire-to-Board connectors/Crimp style and Mating style



This is a 2.5 mm pitch, dual-row, wire-to-board connector with a secure locking device.

- Secure lock mechanism
- Solder crack preventive material
- Headers with boss available for polarization
- Structure to prevent misinsertion

## ■ Specifications

- Current rating: 3 A AC/DC (AWG #22, AWG #20)
  - Voltage rating: 250 V AC/DC
  - Temperature range: -25°C to +85°C  
(including temperature rise in applying electrical current)
  - Contact resistance:
    - Initial value/ 10 mΩ max.
    - After environmental tests/ 20 mΩ max.
  - Insulation resistance: 1,000 MΩ min.
  - Withstanding voltage:
    - There shall be no breakdown or flashover while applying 1,000 VAC for one minute.
  - Applicable wire range:
    - Conductor size/ AWG #28 to AWG #20
    - Insulation O.D./  $\phi$  0.8 mm to  $\phi$  1.9 mm
  - Applicable PC board thickness: 1.6 mm
- \* Please refer to the "Handling Precautions for Terminals and Connectors" on our website (listed in the "Technical Documents" column on the Product Information page) before use.
- \* RoHS2 compliance
  - \* Dimensional unit: mm
  - \* Contact JST for details.

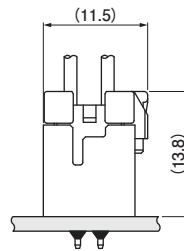
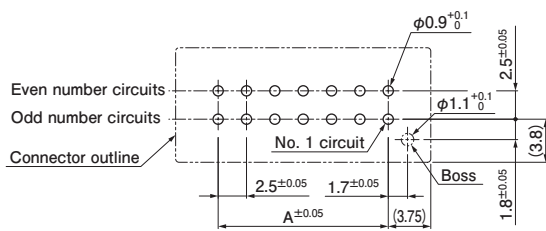
## ■ Standards

For information on overseas standard registrations, please refer to the "List of Registered Overseas Standards" on our website (listed in the "Technical Documents" column on the Product Information page).

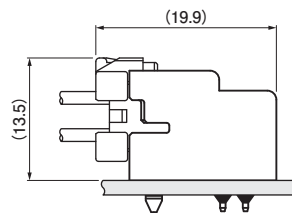
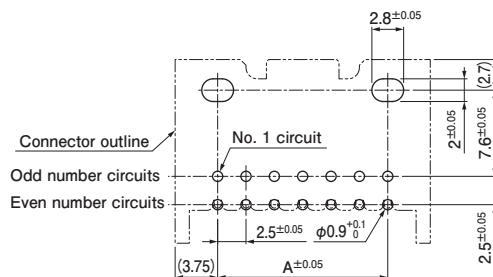
- \* Specifications registered to overseas standards may differ from the general specifications listed above.

## PC board layout and Assembly layout

### Top entry type

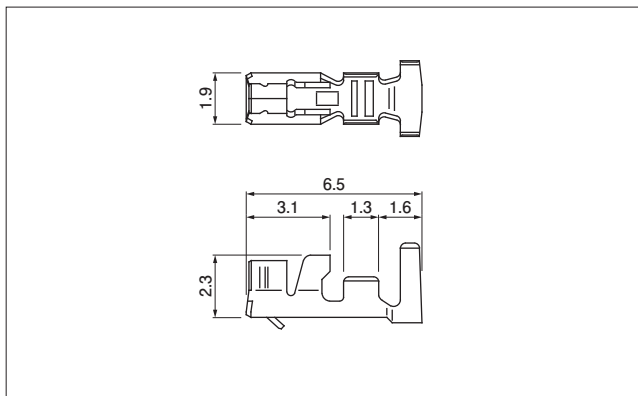


### Side entry type



- Note: 1. The PC board layout figure shown is viewed from the connector mounting surface.  
 2. Dimension A: See "Header" section on page 4.  
 3. Tolerance for the PCB hole pitch shall be  $\pm 0.05$ , and shall not accumulate more than  $\pm 0.05$ .  
 4. Hole dimensions differ depending on the type of PCB and PCB drilling method.  
 The above dimensions are reference values. Please contact JST for details.

## Socket contact



Model No.	Applicable wire range		Q'ty/ reel
	Conductor size AWG (mm <sup>2</sup> )	Insulation O.D.(mm)	
SXA-001T-P0.6	#28 to #22 (0.08 to 0.33)	0.8 to 1.9	8,000
SXA-01T-P0.6	#24 to #20 (0.22 to 0.5)	1.5 to 1.9	8,000
SXA-001T-P0.6L	#26 to #22 (0.13 to 0.33)	1.3 to 1.7	8,000

Material and Surface finish, etc.

Phosphor bronze, tin-plated

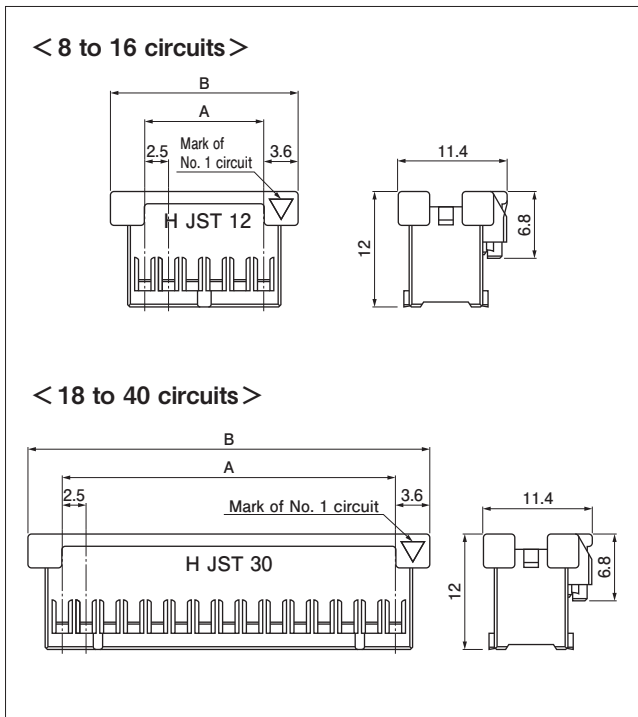
- Note: 1. SXA-001T-P0.6L is a low-insertion force type contact for easier insertion/withdrawal operation. Please take the application and environment into consideration as the low-insertion force type contact is less resistant to vibration. Please note that the crimp height is different from the standard XA contact.  
 2. Contact JST for gold-plated products.

### Crimping machine

Contact	Crimping machine	Applicator	Crimp applicator with dies
SXA-001T-P0.6	AP-K2N	MKS-L	APLMK SXA/M001-06
SXA-01T-P0.6			APLMK SXA/M01-06
SXA-001T-P0.6L			APLMK SXA001-06L

Note: Contact JST for fully automatic crimping applicator.

## Socket housing



No. of circuits	Model No.	Dimensions (mm)		Q'ty/bag
		A	B	
8	XADRP-08V	7.5	14.7	1,000
10	XADRP-10V	10.0	17.2	1,000
12	XADRP-12V	12.5	19.7	1,000
14	XADRP-14V	15.0	22.2	1,000
16	XADRP-16V	17.5	24.7	1,000
18	XADRP-18V	20.0	27.2	1,000
20	XADRP-20V	22.5	29.7	500
22	XADRP-22V	25.0	32.2	500
24	XADRP-24V	27.5	34.7	500
26	XADRP-26V	30.0	37.2	500
28	XADRP-28V	32.5	39.7	500
30	XADRP-30V	35.0	42.2	500
32	XADRP-32V	37.5	44.7	500
34	XADRP-34V	40.0	47.2	500
36	XADRP-36V	42.5	49.7	250
40	XADRP-40V	47.5	54.7	250

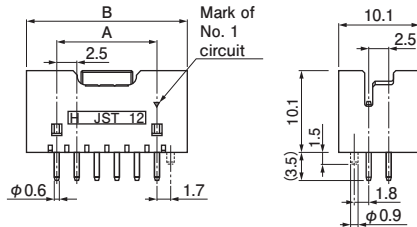
Material and Surface finish, etc.

PA 66, natural (white)

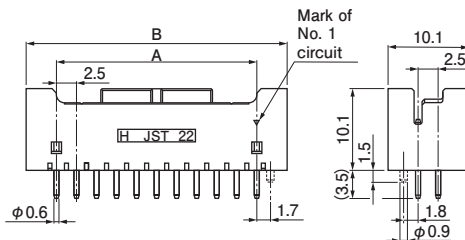
- Note: 1. Contact JST if retainers are required.  
 2. For flame retardant grade of resin material used, please refer to the "List of Registered Overseas Standards" on our website (listed in the "Technical Documents" column on the Product Information page).

## Header

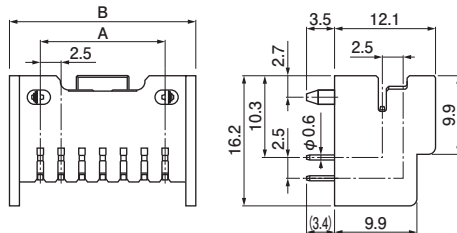
### Top entry type < 8 to 16 circuits >



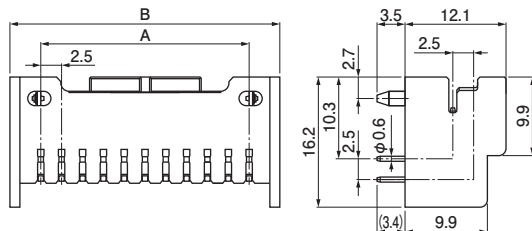
### < 18 to 36, 40 circuits >



### Side entry type < 8 to 16 circuits >



### < 18, 20, 26 circuits >



### Top entry type

No. of circuits	Model No.		Dimensions (mm)		Q'ty/box
	Without boss	With boss	A	B	
8	B08B-XADSS-N	B08B-XADSS-N-A	7.5	15.0	200
10	B10B-XADSS-N	B10B-XADSS-N-A	10.0	17.5	200
12	B12B-XADSS-N	B12B-XADSS-N-A	12.5	20.0	200
14	B14B-XADSS-N	B14B-XADSS-N-A	15.0	22.5	150
16	B16B-XADSS-N	B16B-XADSS-N-A	17.5	25.0	150
18	B18B-XADSS-N	B18B-XADSS-N-A	20.0	27.5	150
20	B20B-XADSS-N	B20B-XADSS-N-A	22.5	30.0	100
22	B22B-XADSS-N	B22B-XADSS-N-A	25.0	32.5	100
24	B24B-XADSS-N	B24B-XADSS-N-A	27.5	35.0	100
26	B26B-XADSS-N	B26B-XADSS-N-A	30.0	37.5	100
28	B28B-XADSS-N	B28B-XADSS-N-A	32.5	40.0	100
30	B30B-XADSS-N	B30B-XADSS-N-A	35.0	42.5	50
32	B32B-XADSS-N	B32B-XADSS-N-A	37.5	45.0	50
34	B34B-XADSS-N	B34B-XADSS-N-A	40.0	47.5	50
36	B36B-XADSS-N	B36B-XADSS-N-A	42.5	50.0	50
40	B40B-XADSS-N	B40B-XADSS-N-A	47.5	55.0	50

Material and Surface finish, etc.

Pin: Copper alloy, copper-undercoated, tin-plated  
Wafer: PA 66 (Glass-filled), natural (white)

- Note: 1. This product displays (LF)(SN) on a label.  
2. Contact JST for gold-plated products.  
3. For flame retardant grade of resin material used, please refer to the "List of Registered Overseas Standards" on our website (listed in the "Technical Documents" column on the Product Information page).

### Side entry type

No. of circuits	Model No.	Dimensions (mm)		Q'ty/box
		A	B	
8	S08B-XADSS-N	7.5	15.0	270
10	S10B-XADSS-N	10.0	17.5	234
12	S12B-XADSS-N	12.5	20.0	198
14	S14B-XADSS-N	15.0	22.5	180
16	S16B-XADSS-N	17.5	25.0	162
18	S18B-XADSS-N	20.0	27.5	144
20	S20B-XADSS-N	22.5	30.0	126
26	S26B-XADSS-N	30.0	37.5	108

Material and Surface finish, etc.

Pin: Copper alloy, copper-undercoated, tin-plated  
Wafer: PA 66 (Glass-filled), natural (white)

- Note: 1. This product displays (LF)(SN) on a label.  
2. Contact JST for gold-plated products.  
3. For flame retardant grade of resin material used, please refer to the "List of Registered Overseas Standards" on our website (listed in the "Technical Documents" column on the Product Information page).

## Model number allocation

### Socket contact

**S XA - 001 T - P 0.6** ■

Supply form: S··Strip form  
B··Loose piece

Series name

Applicable wire range:  
Standard type:  
001··AWG #28 to AWG #22  
01··AWG #24 to AWG #20  
Low insertion force type:  
001··AWG #26 to AWG #22

Surface finish: Tin-plated

Material: Phosphor bronze

Applicable pin size

Type: Blank··Standard type, L··Low insertion force type

### Socket housing

**XAD RP - 08 V -** ■

Series name

Type: Plug (Retainer mountable type)

No. of circuits

Sub model number

Color: Blank··Natural (White), K··Black, R··Red, E··Blue,  
O··Orange, M··Green, L··Lemon yellow, PK··Pink

### Header/ Top entry type

**B 08 B - XAD S S - N -** ■

Header type: Top entry type

No. of circuits

Assembly product

Series name

Color: S··Natural (White), K··Black, R··Red,  
E··Blue, L··Lemon yellow

Clinched (Kinked) / Not clinched: Straight

Sub model number

Presence of boss: Blank··Without boss, A··With boss

### Header/ Side entry type

**S 08 B - XAD S S - N**

Header type: Side entry type

No. of circuits

Assembly product

Series name

Color: S··Natural (White), K··Black, E··Blue,  
L··Lemon yellow

Clinched (Kinked) / Not clinched: Straight

Sub model number