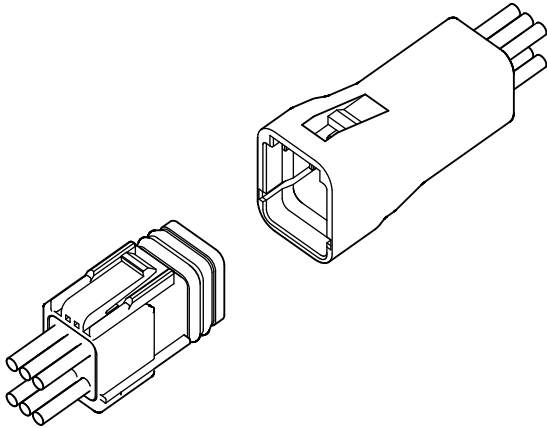




ZWP CONNECTOR

1.5 mm pitch/ Wire-to-wire connector (Waterproof type)



This is the waterproof type 1.5 mm pitch wire-to-wire connector incorporating the inner lock structure.

- Inner lock structure
- Waterproof performance
Grade 7 of ingress protection of JIS C 0920 (IPX7 of IEC 60529)
- Compact design

■ Specifications

- Current rating: 2 A AC/DC (AWG #24)
 - Voltage rating: 50 V AC/DC
 - Temperature range: -25°C to +85°C
(including temperature rise in applying electrical current)
 - Contact resistance:
Initial value/ 10 mΩ max.
After environmental tests/ 20 mΩ max.
 - Insulation resistance: 500 MΩ min.
 - Withstanding voltage: 500 VAC/minute
 - Applicable wire: Insulated wire of annealed copper stranded conductors with tin plating
 - Applicable wire range:
Conductor size/ AWG #28 to #24
Insulation O.D/ ϕ 0.9 to ϕ 1.2
 - Waterproof performance:
Grade 7 of ingress protection of JIS C 0920 (IPX7 of IEC 60529)
- * In using the products, refer to "Handling Precaution for Terminal and Connector" described on our website (Technical documents of Product information page).
- * RoHS2 compliance
- * Dimensional unit: mm
- * Contact JST for details.

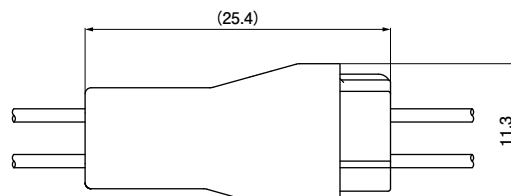
ZWP CONNECTOR

Assembly layout

<2, 3 circuits>

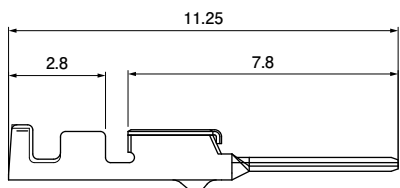
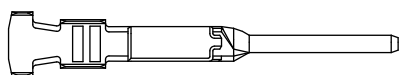


<4, 5, 6, 8 circuits>

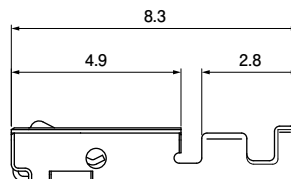
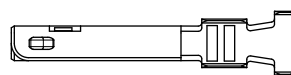


Contact

Tab contact



Receptacle contact



	Model No.	Applicable wire range		Q'ty/reel
		Conductor size AWG# (mm ²)	Insulation O.D. (mm)	
Tab contact	SZWPT-002T-C0.4	28 to 24 (0.08 to 0.21)	0.9 to 1.2	15,000
Receptacle contact	SZWPR-002T-C0.4			

Material and Finish

Copper alloy, tin-plated

RoHS2 compliance

Crimping machine

Contact	Crimping machine	Applicator	Crimp applicator with dies
SZWPT-002T-C0.4	AP-K2N	MKS-L-10	APLMK SZWPR/T002-04
SZWPR-002T-C0.4			

Note: Contact JST for fully automatic crimping applicator.

ZWP CONNECTOR

Tab assembly (for tab contact)

No. of circuits	Model No.	Shape and Dimensions	Q'ty/box
2	02T-ZWPV-KNN		400
3	03T-ZWPV-KNN		350
4	04T-ZWPV-W-KNN		300
5	05T-ZWPV-W-KNN		250
6	06T-ZWPV-W-KNN		250
8	08T-ZWPV-W-KNN		200

Material and Finish

Tab housing: PBT, UL94V-0, black
 Seal rubber plate: Silicone rubber, brown

RoHS2 compliance

ZWP CONNECTOR

Receptacle assembly (for receptacle contact)

No. of circuits	Model No.	Shape and Dimensions	Q'ty/box
2	02R-ZWPV-KNN		5,358
3	03R-ZWPV-KNN		4,332
4	04R-ZWPV-W-KNN		3,384
5	05R-ZWPV-W-KNN		2,736
6	06R-ZWPV-W-KNN		2,736
8	08R-ZWPV-W-KNN		2,304

Material and Finish

Receptacle housing: PBT, UL94V-0, black
 Seal ring: Silicone rubber, brown
 Seal rubber plate: Silicone rubber, brown

RoHS2 compliance