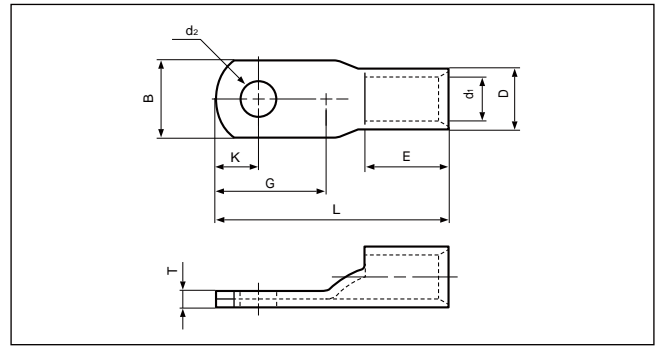
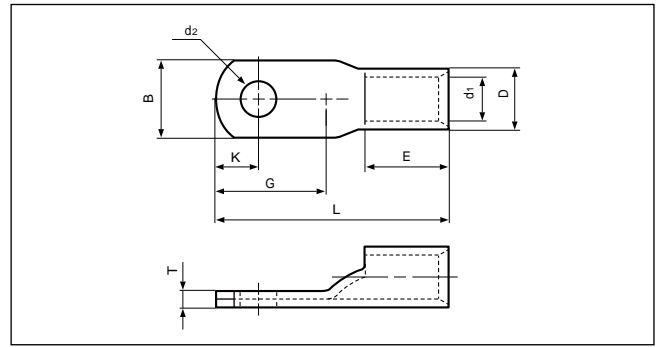


銅管圧着端子(一ツ穴)



形番	寸法(mm)									適用電線範囲		適用圧着工具			1箱 入数 (個)														
	ød ₂	B	L	E	G	K	øD	ød ₁	T(約)	(mm ²)	AWG(#)	手動	空気圧式	油圧式															
TU2-4	4.3	7.0	20.0	7.0	9.5	4.0	4.0	2.3	1.3	1.04 ~ 2.63	16 ~ 14	YHT-2210	YA-1, YA-2, YA-4, YAT-1A, YAT-2A, YAD-1A, YAD-2A YAT-4A, YAD-4A	BCT-0514L	2,000														
TU5.5-4	4.3	9.0	21.5	8.5	9.5	4.0	5.5	3.4	1.7	2.63 ~ 6.64	12 ~ 10				1,000														
TU8-4	4.3	10.0	28.5	11.0	12.5	5.8	7.1	4.5	2.4	6.64 ~ 10.52	8	YHT-8S	YA-4 YA-5 YAT-4A YAD-4A	YPT-60N, YPT-150-1 BCT-0514L BCT-860L-1, BCT-8150L-B (本体) YF-1, E-4 (ヘッド) YET-60-1, YET-150-2	500														
TU8-5	5.3														250														
TU14-5	5.3	13.0	34.0	14.0	14.5	6.5	9.0	5.8	3.0	10.52 ∟ 16.78	6	—	YA-5 YAT-4A YAD-4A	YPT-60N YPT-150-1 BCT-860L-1, BCT-8150L-B (本体) YF-1, E-4 (ヘッド) YET-60-1, YET-150-2	250														
TU14-6	6.4														200														
TU14-8	9.0														100														
TU22-5	5.3	16.0	37.5	15.0	17.0	7.0	11.4	7.7	3.6	16.78 ∟ 26.66	4	—	YA-5	YPT-60N YPT-150-1 BCT-860L-1, BCT-8150L-B (本体) YF-1, E-4 (ヘッド) YET-60-1 YET-150-2	200														
TU22-6	6.4														100														
TU22L-8	9.0														39.5	19.0	8.5	13.3	9.4	3.8	26.66 ∟ 42.42	2	100						
TU38-5	5.3	19.0	44.0	18.0	19.0	8.5	13.3	9.4	3.8	26.66 ∟ 42.42	2	—	YA-5	YPT-60N, YPT-150-1 BCT-860L-1, BCT-8150L-B (本体) YF-1, E-4 (ヘッド) YET-60-1 YET-150-2	100														
TU38-6	6.4														50														
TU38L-8	9.0														55.5	20.0	15.4	11.4	4.0	42.42 ∟ 60.57	1/0	—	YA-5	YPT-60N, YPT-150-1 BCT-860L-1, BCT-8150L-B (本体) YF-1, E-4 (ヘッド) YET-60-1 YET-150-2, YET-300-1 YET-300N	50				
TU38L-10	11.0														58.0	28.5	13.0	17.5	13.3	4.3	60.57 ∟ 76.28	2/0	—	—	—	50			
TU38L-12	14.0														62.0	29.5	10.5	19.4	14.5	5.1	76.28 ∟ 96.3	3/0	—	—	—	25			
TU60-6	6.4	22.0	55.5	20.0	26.0	10.5	15.4	11.4	4.0	42.42 ∟ 60.57	1/0	—	YA-5	YPT-60N, YPT-150-1 BCT-860L-1, BCT-8150L-B (本体) YF-1, E-4 (ヘッド) YET-60-1 YET-150-2, YET-300-1 YET-300N	50														
TU60-8	9.0														58.5	22.0	17.5	13.3	4.3	60.57 ∟ 76.28	2/0	—	—	—	50				
TU60-10	11.0														62.0	29.5	10.5	19.4	14.5	5.1	76.28 ∟ 96.3	3/0	—	—	—	25			
TU60L-10	11.0														65.0	28.5	11.5	19.4	14.5	5.1	76.28 ∟ 96.3	3/0	—	—	—	25			
TU60L-11	12.0														69.0	32.3	13.5	19.4	14.5	5.1	76.28 ∟ 96.3	3/0	—	—	—	25			
TU60L-12	14.0														71.0	31.3	14.5	19.4	14.5	5.1	76.28 ∟ 96.3	3/0	—	—	—	25			
TU70-6	6.4	25.0	58.5	22.0	26.0	13.5	17.5	13.3	4.3	60.57 ∟ 76.28	2/0	—	—	—	—	25													
TU70-8	9.0																65.0	28.5	11.5	19.4	14.5	5.1	76.28 ∟ 96.3	3/0	—	—	—	25	
TU70L-10	11.0																69.0	32.3	13.5	19.4	14.5	5.1	76.28 ∟ 96.3	3/0	—	—	—	25	
TU70L-12	14.0																71.0	31.3	14.5	19.4	14.5	5.1	76.28 ∟ 96.3	3/0	—	—	—	25	
TU80-6	6.4	27.5	65.0	24.5	28.5	11.5	19.4	14.5	5.1	76.28 ∟ 96.3	3/0	—	—	—	—	25													
TU80-8	9.0																71.0	31.3	14.5	19.4	14.5	5.1	76.28 ∟ 96.3	3/0	—	—	—	25	
TU80-10	11.0																75.0	25.5	35.3	16.5	22.0	16.4	5.7	96.3 ∟ 117.2	4/0	—	—	—	25
TU80L-10	11.0																75.0	25.5	35.3	16.5	22.0	16.4	5.7	96.3 ∟ 117.2	4/0	—	—	—	25
TU80L-11	12.0																75.0	25.5	35.3	16.5	22.0	16.4	5.7	96.3 ∟ 117.2	4/0	—	—	—	25
TU80L-12	14.0																75.0	25.5	35.3	16.5	22.0	16.4	5.7	96.3 ∟ 117.2	4/0	—	—	—	25
TU100-8	9.0	31.5	71.0	25.5	31.3	14.5	22.0	16.4	5.7	96.3 ∟ 117.2	4/0	—	—	—	—	25													
TU100-10	11.0																75.0	25.5	35.3	16.5	22.0	16.4	5.7	96.3 ∟ 117.2	4/0	—	—	—	25
TU100M-11	12.0																75.0	25.5	35.3	16.5	22.0	16.4	5.7	96.3 ∟ 117.2	4/0	—	—	—	25
TU100M-12	14.0																75.0	25.5	35.3	16.5	22.0	16.4	5.7	96.3 ∟ 117.2	4/0	—	—	—	25
TU100M-16	18.0																75.0	25.5	35.3	16.5	22.0	16.4	5.7	96.3 ∟ 117.2	4/0	—	—	—	25
TU100L-11	12.0																75.0	25.5	35.3	16.5	22.0	16.4	5.7	96.3 ∟ 117.2	4/0	—	—	—	25
TU100L-12	14.0	75.0	25.5	35.3	16.5	22.0	16.4	5.7	96.3 ∟ 117.2	4/0	—	—	—	25															
TU100L-16	18.0	75.0	25.5	35.3	16.5	22.0	16.4	5.7	96.3 ∟ 117.2	4/0	—	—	—	25															

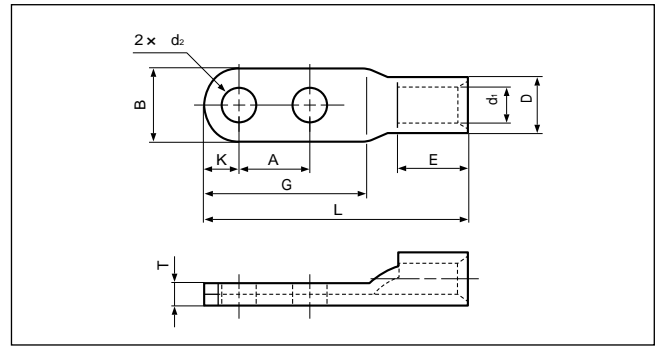
注) 本製品の中には多少納期を要するものもあります。



形番	寸法(mm)									適用電線範囲		適用圧着工具			1箱 入数 (個)			
	ød ₂	B	L	E	G	K	øD	ød ₁	T(約)	(mm ²)	AWG(#)	手動	空気圧式	油圧式				
TU150-10	11.0	38.0	88.0	34.5	36.3	16.5	26.5	19.5	7.0	117.2 ∩ 152.05	250/300 MCM	—	—	YPT-150-1 BCT-8150L-B (本体)YF-1, E-4 (ヘッド) YET-150-2 YET-300-1 YET-300N	20			
TU150-11	12.0																	
TU150-12	14.0																	
TU150M-16	18.0															95.3	43.8	20.0
TU150M-20	22.0																	
TU150L-16	18.0															98.0	46.3	
TU150L-20	22.0																	
TU180-10	11.0	41.0	92.0	36.5	38.3	16.5	28.5	21.0	7.7	152.05 ∩ 192.60	350MCM	—	—	(本体) YF-1 E-4 (ヘッド) YET-300-1 YET-300N	10			
TU180-11	12.0																	
TU180-12	14.0																	
TU180M-16	18.0															104.0	50.0	22.5
TU180M-22	24.0																	
TU200-12	14.0	46.0	101.0	37.0	46.3	21.0	32.5	24.0	8.5	192.60 ∩ 242.27	400MCM	—	—	(本体) YF-1 E-4 (ヘッド) YET-300-1 YET-300N	10			
TU200M-16	18.0															109.0	54.0	26.0
TU200L-20	22.0																	
TU325-10	11.0	53.0	112.5	42.0	51.8	23.0	37.0	28.0	9.0	242.27 ∩ 325	600/650 MCM	—	—	(本体) YF-1 E-4 (ヘッド) YET-300-1 YET-300N	10			
TU325-11	12.0																	
TU325-12	14.0															121.0	60.0	29.0
TU325M-16	18.0																	
TU325L-16	18.0															127.0	66.0	

注) 本製品の中には多少納期を要するものもあります。

銅管圧着端子(ニツ穴)



形番	寸法(mm)										適用電線範囲		適用圧着工具			1箱 入数 (個)
	ød ₂	B	L	E	G	K	A	øD	ød ₁	T(約)	(mm ²)	AWG(#)	手動	空気圧式	油圧式	
TU8A-4	4.3	10.0	40.5	11.0	25.0	5.8	12.0	7.1	4.5	2.4	6.64	8	YHT-8S	YA-4	YPT-60N,YPT-150-1 BCT-0514L	250
TU8A-5	5.3										10.52					
TU8A-6	6.4										10.52					
TU14A-4	4.3	13.0	45.5	14.0	26.5	6.5	12.0	9.0	5.8	3.0	10.52	6	—	YAT-4A YAD-4A	(本体)YF-1,E-4 (ヘッド) YET-60-1,YET-150-2	250
TU14A-5	5.3										16.78					
TU14A-6	6.4										16.78					
TU22A-5	5.3	16.0	53.0	15.0	33.0	7.0	16.0	11.4	7.7	3.6	16.78	4	—	YA-5	YPT-60N YPT-150-1 BCT-860L-1,BCT-8150L-B (本体)YF-1, E-4 (ヘッド) YET-60-1,YET-150-2	100
TU22A-6	6.4										26.66					
TU22A-8	9.0										26.66					
TU38A-6	6.4	19.0	62.0	18.0	37.5	8.5	16.0	13.3	9.4	3.8	26.66	2	—	YA-5	YPT-60N,YPT-150-1,BCT-860L-1, BCT-8150L-B,(本体)YF-1,E-4 (ヘッド)YET-60-1,YET-150-2 YET-300-1,YET-300N	50
TU38A-8	9.0										~ 42.42					
TU60A-10	11.0	22.0	86.0	20.0	56.0	13.0	28.0	15.4	11.4	4.0	42.42	1/0	—	YA-5	YPT-60N,YPT-150-1,BCT-860L-1, BCT-8150L-B,(本体)YF-1,E-4 (ヘッド)YET-60-1,YET-150-2 YET-300-1,YET-300N	50
TU60B-10			90.0	60.0	32.0	~ 60.57										
TU70A-10	11.0	25.0	90.0	22.0	57.0	13.5	28.0	17.5	13.3	4.3	60.57	2/0	—	—	YPT-150-1 BCT-8150L-B (本体) YF-1, E-4 (ヘッド) YET-150-2 YET-300-1 YET-300N	50
TU70B-10			94.0		61.0		32.0				~ 76.28					
TU80A-10	11.0	27.5	95.0	24.5	58.0	13.5	28.0	19.4	14.5	5.1	76.28	3/0	—	—	YPT-150-1 BCT-8150L-B (本体) YF-1, E-4 (ヘッド) YET-150-2 YET-300-1 YET-300N	25
TU80B-10			99.0		62.0		32.0				~ 96.3					
TU100A-10	11.0	31.5	99.0	25.5	59.0	14.5	28.0	22.0	16.4	5.7	96.3	4/0	—	—	YPT-150-1 BCT-8150L-B (本体) YF-1, E-4 (ヘッド) YET-150-2 YET-300-1 YET-300N	25
TU100B-10			103.0		63.0		32.0				~ 117.2					
TU150A-12	14.0	38.0	128.0	34.5	76.0	16.5	40.0	26.5	19.5	7.0	117.2	250/300 MCM	—	—	YPT-150-1 BCT-8150L-B (本体) YF-1, E-4 (ヘッド) YET-150-2 YET-300-1 YET-300N	10
TU150B-12			120.0		68.0		32.0				~ 152.05					
TU180A-12	14.0	41.0	132.0	36.5	78.0	16.5	40.0	28.5	21.0	7.7	152.05	350MCM	—	—	(本体) YF-1 E-4 (ヘッド) YET-300-1 YET-300N	10
TU180B-12			124.0		70.0		32.0				~ 192.60					
TU200A-12	14.0	46.0	141.0	37.0	86.0	21.0	40.0	32.5	24.0	8.5	192.60	400MCM	—	—	(本体) YF-1 E-4 (ヘッド) YET-300-1 YET-300N	5
TU200B-12			133.0		78.0		20.5				32.0					
TU325A-12	14.0	53.0	152.5	42.0	91.5	23.5	40.0	37.0	28.0	9.0	242.27	600/650 MCM	—	—	(本体) YF-1 E-4 (ヘッド) YET-300-1 YET-300N	5
TU325B-12			144.5		83.5		20.5				32.0					

注) 本製品の中には多少納期を要するものもあります。