



# ■ 低圧開閉器用圧着端子(形状A・B)

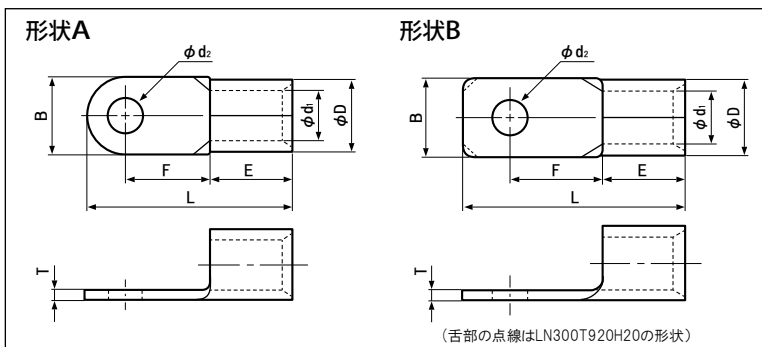
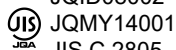
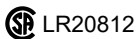
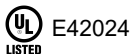


形状A



形状B

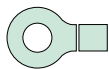
JQ0608019  
JQID08002  
JQMY14001  
JIS C 2805



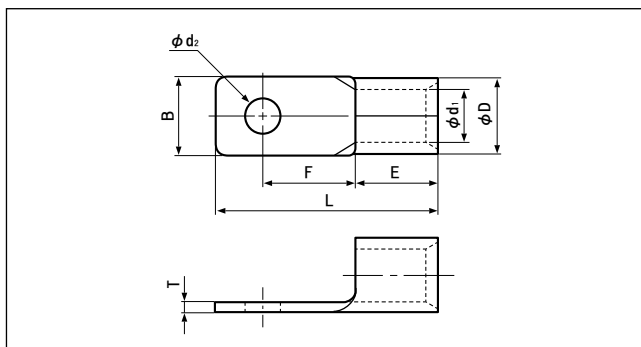
(舌部の点線はLN300T920H20の形状)

形番	規格	使用ネジ径	形状	寸法(mm)								適用電線範囲		適用圧着工具			1箱入数(個)		
				φd2	B	L	F	E	φD	φd1	T	撚線(mm <sup>2</sup> )	手動	空気圧式	油圧式				
R2-5		M5	A	5.3	9.5	16.8	7.3	4.8	4.1	2.3	0.8	1.04	}	YHT-2210 YHT-2214M	YAD-1A YAD-2A YA-1,YAT-1A YA-2,YAT-2A YA-4,YAT-4A YAD-4A	BCT-0514L	1,000		
R2-6		M6		6.4	12.0	21.8	11.0												
R2-8		M8		8.4	15.0	28.0	13.7												
R5.5-5		M5	A	5.3	9.5	19.8	8.3	6.8	5.6	3.4	1.0	2.63	}	YHT-2210	YAD-4A	BCT-0514L	500		
R5.5-6		M6		6.4	12.0	25.8	13.0												
R5.5-8		M8		8.4	15.0	28.0	13.7												
R8-5		M5	A	5.3	12.0	23.8	9.3	8.5	7.1	4.5	1.2	6.64	}	YHT-8S	YA-4 YA-4A YA-5 YAD-4A	YPT-60N YPT-150-1 BCT-0514L BCT-860L-1 BCT-8150L-B (本体)YF-1,E-4 (ヘッド) YET-60-1 YET-150-2	500		
8-5 SC9				9.0															
R8-6		M6	A	6.4	12.0	29.8	13.3	10.5	9.0	5.8	1.5	10.52	}	—	YA-5	YPT-60N YPT-150-1 BCT-860L-1 BCT-8150L-B (本体)YF-1,E-4 (ヘッド) YET-60-1 YET-150-2	200		
R8-8		M8		8.4	15.0													29.8	13.8
R14-5		M5		5.3	12.0													29.8	13.3
R14-6		M6	A	6.4	12.0	32.8	14.5	10.5	9.0	5.8	1.5	10.52	}	—	YA-5	YPT-60N YPT-150-1 BCT-860L-1 BCT-8150L-B (本体)YF-1,E-4 (ヘッド) YET-60-1 YET-150-2	200		
R14-8		M8		8.4	16.0													32.8	14.5
R22-8		M8		8.4	16.5													33.7	13.5
22-S5		M5	A	5.3	12.0	30.0	12.0	12.0	11.5	7.7	1.8	16.78	}	—	YA-5	YPT-60N YPT-150-1 BCT-860L-1 BCT-8150L-B (本体)YF-1,E-4 (ヘッド) YET-60-1 YET-150-2	100		
L330T459-23				6.4	16.5	33.7	13.5												
22-S6				M6	6.4	12.0	30.0											12.0	
R22-6		M8	A	8.4	15.5	38.0	16.0	14.0	13.3	9.4	1.8	26.66	}	—	YA-5	YPT-60N YPT-150-1 BCT-860L-1 BCT-8150L-B (本体)YF-1,E-4 (ヘッド) YET-60-1 YET-150-2	100		
R22-S8				8.4	16.5	33.7	13.5												
R22-8				M8	8.4	15.5	38.0											16.0	
38-S8		M8	A	8.4	15.5	38.0	16.0	14.0	13.3	9.4	1.8	26.66	}	—	YA-5	YPT-60N YPT-150-1 BCT-860L-1 BCT-8150L-B (本体)YF-1,E-4 (ヘッド) YET-60-1 YET-150-2	100		
R38-8				8.4	15.5	38.0	16.0												
R38-12				M12	13.0	22.0	42.7											17.7	
60-S8		M8	A	8.4	16.0	46.7	20.7	18.0	15.5	11.4	2.0	42.42	}	—	YA-5	YPT-60N YPT-150-1 BCT-860L-1 BCT-8150L-B (本体)YF-1,E-4 (ヘッド) YET-60-1 YET-150-2 YET-300-1 YET-300N	50		
L330T459-12				8.4	16.0	46.7													
60-2BA				M8	8.4	16.0												46.7	
R60-8		M12	A	13.0	22.0	49.7	20.7	18.0	15.5	11.4	2.0	60.57	}	—	YA-5	YPT-60N YPT-150-1 BCT-860L-1 BCT-8150L-B (本体)YF-1,E-4 (ヘッド) YET-60-1 YET-150-2 YET-300-1 YET-300N	50		
R60-12				13.0	22.0	49.7													
80-8		M8	A	8.4	27.0	54.2	20.7	20.0	19.5	14.5	2.3	76.28	}	—	—	YPT-150-1 BCT-8150L-B (本体)YF-1,E-4 (ヘッド) YET-150-2 YET-300-1 YET-300N	25		
80-3BA			B	9.0	22.5	51.0	22.0												
80-4B		M10	A	12.0	28.0	52.0	19.5	22.0	26.5	19.5	3.2	96.3	}	—	—	YPT-150-1 BCT-8150L-B (本体)YF-1,E-4 (ヘッド) YET-150-2 YET-300-1 YET-300N	25		
80-12		M12		13.0	27.0	54.2	20.7												
LN300T920H20		M8	B	8.4	22.5	51.0	20.0	21.0	22.3	16.4	2.6	117.2	}	—	—	YPT-150-1 BCT-8150L-B (本体)YF-1,E-4 (ヘッド) YET-150-2 YET-300-1 YET-300N	25		
100-8			A	8.4	28.5	55.6	20.4												
100-3BA		M10	A	12.0	28.0	52.0	19.5	22.0	26.5	19.5	3.2	117.2	}	—	—	YPT-150-1 BCT-8150L-B (本体)YF-1,E-4 (ヘッド) YET-150-2 YET-300-1 YET-300N	20		
100-4B				13.0	28.5	55.6	20.4											21.0	
R100-12		M12	A	13.0	28.5	55.6	20.4	21.0	27.0	26.5	19.5	3.2	117.2	}	—	—	YPT-150-1 BCT-8150L-B (本体)YF-1,E-4 (ヘッド) YET-150-2 YET-300-1 YET-300N	25	
LN300T920-21		M8	B	8.4	22.5	70.0	33.0	27.0	26.5	19.5	3.2	152.05	}	—	—	YPT-150-1 BCT-8150L-B (本体)YF-1,E-4 (ヘッド) YET-150-2 YET-300-1 YET-300N	20		
150-4B		M10	A	12.0	28.0	58.0	20.0	27.0	26.5	19.5	3.2	117.2	}	—	—	(本体)YF-1,E-4 (ヘッド) YET-300-1 YET-300N	10		
R150-12		M12		13.0	36.0	66.0	21.0												
R200-12		M12	A	13.0	44.0	78.0	24.5	31.5	32.7	24.0	4.0	192.6 ~242.27	}	—	—	(本体)YF-1,E-4 (ヘッド) YET-300-1 YET-300N	10		
325-12				13.0	50.5	88.0	33.5	35.5	37.6	28.0	4.5	242.27 ~325							
325-12 SCB-44		M12	A	13.0	44.0	78.0	24.5	31.5	32.7	24.0	4.0	192.6 ~242.27	}	—	—	(本体)YF-1,E-4 (ヘッド) YET-300-1 YET-300N	5		

注1) 100個入をご用意している製品もあります。詳細は弊社までお問い合わせください。 注2) 本製品の中には多少納期を要するものもあります。



# ■ 低圧開閉器用圧着端子CBタイプSシリーズ(形状B)



UL LISTED E42024 SP LR20812

形番	規格	寸法(mm)								適用電線範囲 撚線(mm <sup>2</sup> )	適用圧着工具		1箱 入数 (個)	
		φd <sub>2</sub>	B	L	F	E	φD	φd <sub>1</sub>	T		空気圧式	油圧式		
CB22-S5		5.3	12.0	31.0	13.5	12.0	11.5	7.7	1.8	16.78 }	YA-5	YPT-60N, YPT-150-1 BCT-860L-1, BCT-8150L-B (本体)YF-1, E-4 (ヘッド)YET-60-1 YET-150-2	100	
CB22-S6		6.4												
CB22-S8		8.4												
CB38-S5		5.3	13.5	37.5	16.0	14.0	13.3	9.4	1.8	26.66 ~ 42.42		YPT-60N, YPT-150-1 BCT-860L-1, BCT-8150L-B (本体)YF-1, E-4 (ヘッド)YET-60-1 YET-150-2, YET-300-1 YET-300N	100	
CB38-S6		6.4												
CB60-S6		6.4	16.0	46.7	20.7	18.0	15.5	11.4	2.0	42.42 } 60.57		YPT-60N, YPT-150-1 BCT-860L-1, BCT-8150L-B (本体)YF-1, E-4 (ヘッド)YET-60-1 YET-150-2, YET-300-1 YET-300N	50	
CB60-S8 (CB60-8)		8.4												
CB60-S10 《CB60-10》		10.5												
CB70-S8		8.4	20.5	51.0	20.0	19.0	17.5	13.3	2.0	60.57 ~ 76.28		—	YPT-150-1 BCT-8150L-B (本体) YF-1, E-4 (ヘッド) YET-150-2 YET-300-1 YET-300N	50
CB70-S10		10.5												
CB80-S8 《CB80-8》		8.4	22.0	51.7	20.7	20.0	19.5	14.5	2.3	76.28 } 96.3	YPT-150-1 BCT-8150L-B (本体) YF-1, E-4 (ヘッド) YET-150-2 YET-300-1 YET-300N		25	
CB80-S10 《CB80-10》		10.5												
CB80-S12		13.0												
CB100-S8 (CB100-8)		8.4	22.0	52.5	20.5	21.0	22.3	16.4	2.6	96.3 } 117.2	YPT-150-1 BCT-8150L-B (本体) YF-1, E-4 (ヘッド) YET-150-2 YET-300-1 YET-300N		25	
CB100-S10 (CB100-10)		10.5												
CB100-S12		13.0												
CB150-S8 (CB150-8)		8.4	22.0	61.0	23.0	27.0	26.5	19.5	3.2	117.2 } 152.05	YPT-150-1 BCT-8150L-B (本体) YF-1, E-4 (ヘッド) YET-150-2 YET-300-1 YET-300N		20	
CB150-S10		10.5												
CB150-S12		13.0												
CB200-S8		8.4	36.0	72.0	22.5	30.5	32.7	24.0	4.0	192.6 } 242.27	(本体) YF-1, E-4 (ヘッド) YET-300-1, YET-300N	10		
CB200-S10		10.5												
CB200-S12		13.0												
CB325-S10		10.5	38.5	84.5	32.0	35.5	37.6	28.0	4.5	242.27 } 325	(本体) YF-1, E-4 (ヘッド) YET-300-1, YET-300N	5		
CB325-S12		13.0												
CB325-S12		44.0												

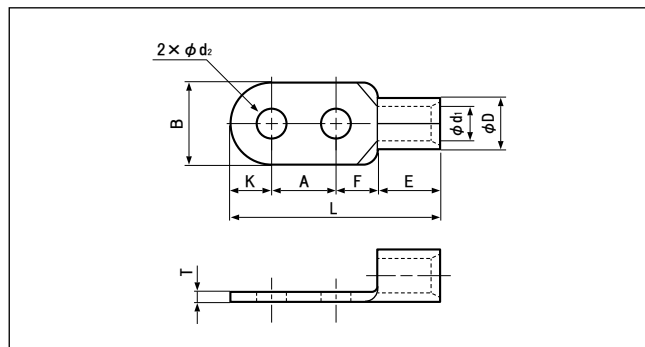
注1) CB60-8、CB100-8、CB100-10、CB150-8、CB150-10は、日本電機工業会規格(JEM-1399)形番を表わしています。

注2) 《 》は、従来形番を表わしています。

注3) 本製品の中には多少納期を要するものもあります。



# ■ 低圧開閉器用圧着端子(ニツ穴)



UL LISTED E42024

SP LR20812

JIS JQID08002  
JIS C 2805

JQ0608019

形番	規格	寸法 (mm)										適用電線範囲		適用圧着工具		1箱 入数 (個)
		ød <sub>2</sub>	B	L	F	A	K	E	øD	ød <sub>1</sub>	T	単線(mm)	撚線(mm <sup>2</sup> )	空気圧式	油圧式	
RD60-10	UL LISTED SP LR20812 JIS JQID08002	11.0	22.0	78.0	17.0	32.0	11.0	18.0	15.5	11.4	2.0	7.34	42.42	YA-5	YPT-60N, YPT-150-1 BCT-860L-1, BCT-8150L-B (本体) YF-1, E-4 (ヘッド) YET-60-1 YET-150-2, YET-300-1 YET-300N	50
RD60-12	UL LISTED SP LR20812 JIS JQID08002	14.0		89.0	20.0	40.0						8.26	60.57			
RD80-10	UL LISTED SP LR20812 JIS JQID08002	11.0	27.0	82.5	17.0	32.0	13.5	20.0	19.5	14.5	2.3	9.27	76.28	—	YPT-150-1 BCT-8150L-B (本体) YF-1, E-4 (ヘッド) YET-60-1 YET-150-2 YET-300-1 YET-300N	25
RD80-12	UL LISTED SP LR20812 JIS JQID08002	14.0		94.2	20.7	40.0						10.41	96.3			
RD100-10	UL LISTED SP LR20812 JIS JQID08002	11.0	28.5	84.3	17.0	32.0	14.3	21.0	22.3	16.4	2.6	10.41	96.3	—	YET-150-2 YET-300-1 YET-300N	20
RD100-12	UL LISTED SP LR20812 JIS JQID08002	14.0		95.5	20.3	40.0						11.68	117.2			
RD150-12	UL LISTED SP LR20812 JIS JQID08002	14.0	36.0	106.0	21.0	40.0	18.0	27.0	26.5	19.5	3.2	11.68 13.8	117.2 152.05	—	(本体) YF-1, E-4 (ヘッド) YET-300-1 YET-300N	10
RD200-12	UL LISTED SP LR20812 JIS JQID08002	14.0	44.0	116.5	23.0	40.0	22.0	31.5	32.7	24.0	4.0	15.6 17.5	192.60 242.27			
RD325-12	UL LISTED SP LR20812 JIS JQID08002	14.0	50.5	123.8	23.0	40.0	25.3	35.5	37.6	28.0	4.5	17.5 20.3	242.27 325	—	YET-300-1 YET-300N	5

注) 本製品の中には多少納期を要するものもあります。