

# JFA CONNECTOR J1700M/2700M/3700M SERIES

Connector for motor (EMI shielding product)

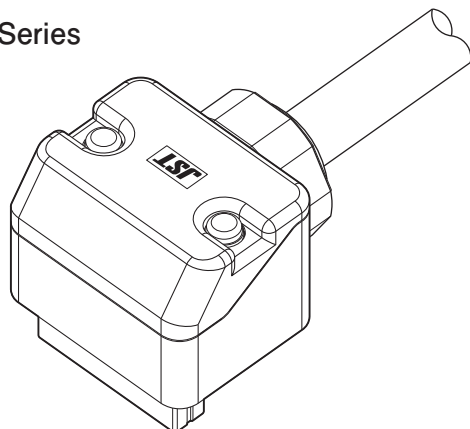
J1700M Series



J2700M Series



J3700M Series



- 6-circuit connector for power supply of servomotor
- EMI shielding product
- Tough metal cover
- Interchangeability with J1700/2700/3700 Series

## Standards

Ⓡ : Recognized E 60389

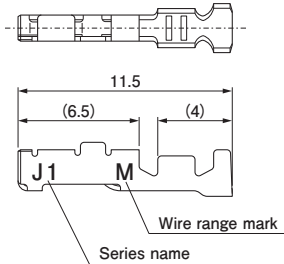
## Specifications

- Current rating:
  - 5 A AC/DC J1700M Series 2.0 mm pitch  
(Applying current to 3-circuit when AWG #20.)
  - 7 A AC/DC J2700M Series 2.5 mm pitch  
(Applying current to 3-circuit when AWG #20.)
  - 10 A AC/DC J3700M Series 3.8 mm pitch  
(Applying current to 3-circuit when AWG #16.)
- Voltage rating: 250 V AC/DC
- Temperature range: -55°C to +105°C  
(including temperature rise in applying electrical current)
- Applicable cable O.D.:  $\phi 7 \pm 0.3$  mm (J1700M/J2700M Series)  
 $\phi 8 \pm 0.3$  mm (J3700M Series)
- Waterproof grade: JIS C0920 Degree of protection 7  
(Waterproof type) [IPX7 of IEC 60529]
- \* Please note that the above general specifications may differ from the safety standards.
- \* In using the products, refer to "Handling Precaution for Terminals and Connectors" described on our website (Technical documents of Product information page).
- \* Dimensional unit: mm
- \* RoHS2 Compliance
- \* Contact JST for details.

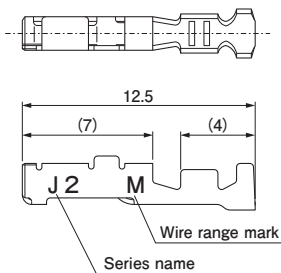
# JFA CONNECTOR J1700M/2700M/3700M SERIES

## Receptacle contact

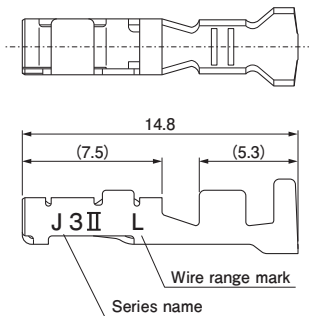
### • J1000 Series



### • J2000 Series



### • J3000 Series



Series	Strip contact Model No.	Wire range mark	Applicable wire range			Q'ty/reel
			mm <sup>2</sup>	AWG #	Insulation O.D. (mm)	
J1000	SJ1F-01GF-P0.8	M	0.20 to 0.50	24 to 20	1.11 to 1.53	6,000
J2000	SJ2F-01GF-P1.0	M	0.20 to 0.50	24 to 20	1.11 to 1.53	6,000
J3000	SJ3F-01GF-P1.8	M	0.20 to 0.50	24 to 20	1.11 to 1.86	3,500
	SJ3F-41GF-P1.8	L	0.50 to 1.25	20 to 16	1.53 to 2.50	3,000

### Material and Finish

Copper alloy (superior conductivity), nickel-undercoated, selective gold-plated

### RoHS2 compliance

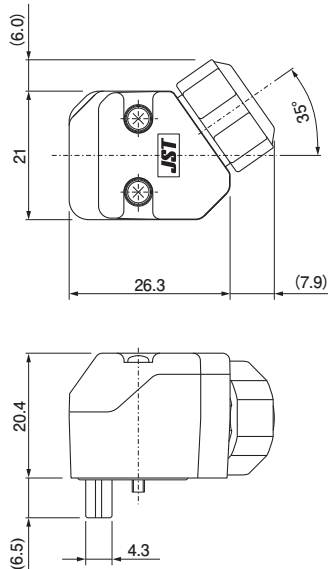
Note: Please note that the above applicable wire range may differ from the safety standards.

## Crimping machine, Applicator

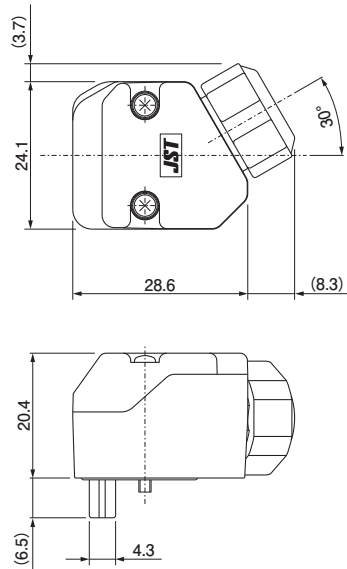
Series	Strip contact Model No.	Crimping machine	Applicator			Hand tools
			Crimp applicator	Dies	Crimp applicator with dies	
J1000	SJ1F-01GF-P0.8	AP-K2N	MKS-L	MK/SJ1F/M01-08	APLMK SJ1F/M01-08	YRS-8841
J2000	SJ2F-01GF-P1.0			MK/SJ2F/M01-10	APLMK SJ2F/M01-10	YRS-8861
J3000	SJ3F-01GF-P1.8			MK/SF3F/M01-20	APLMK SF3F/M01-20	YRF-881
	SJ3F-41GF-P1.8			MK/SF3F/M41-20	APLMK SF3F/M41-20	YRF-880

## Assembly layout

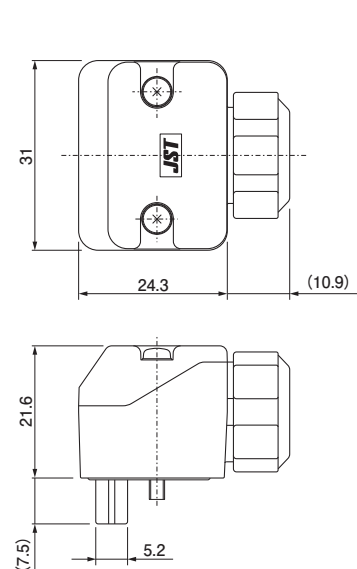
### • J1700M Series



### • J2700M Series

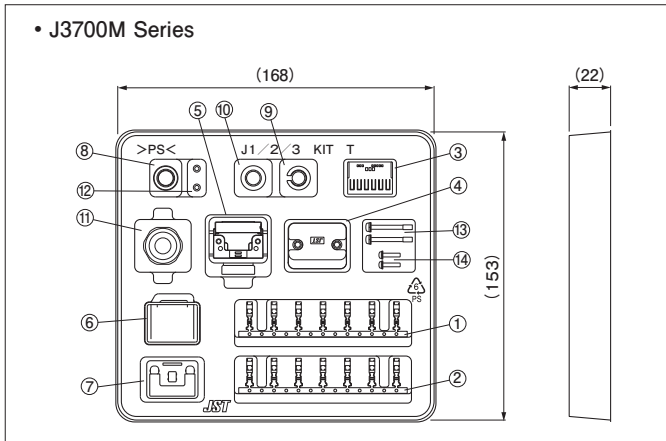
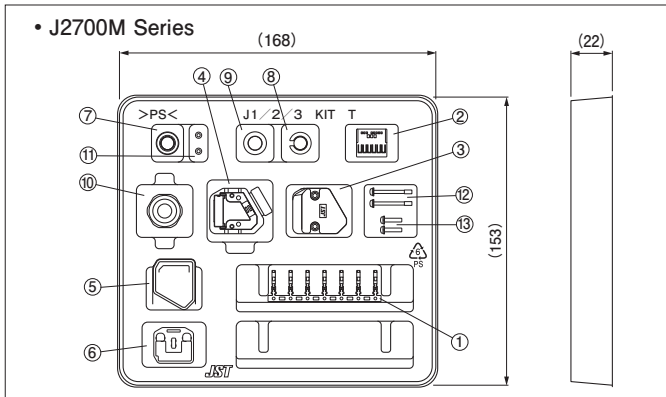
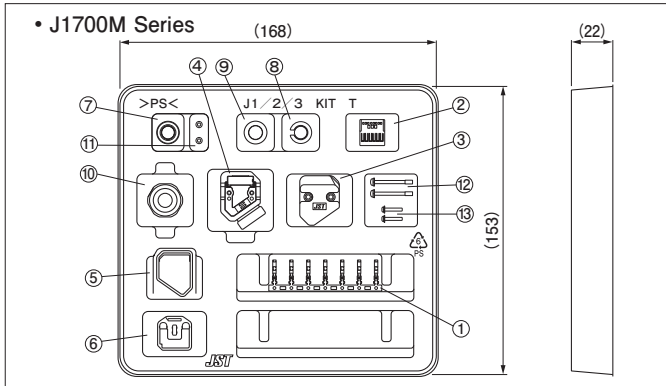


### • J3700M Series



# JFA CONNECTOR J1700M/2700M/3700M SERIES

## Connector kits



Connector kit Model No.	Q'ty/ box	No.	Part Name	Q'ty
J17M-06FMH-7KL-M	12	①	Receptacle contact (M type)	7
		②	Receptacle housing	1
		③	Top cover	1
		④	Bottom cover	1
		⑤	Cover seal	1
		⑥	Seal rubber plate	1
		⑦	Seal ring	1
		⑧	Clamp ring	1
		⑨	Ring	1
		⑩	Clamp nut	1
		⑪	O ring	2
		⑫	M2X21 sems screw	2
		⑬	M1.6X10 sems screw	2

RoHS2 compliance This product displays (PF) on a label.

Connector kit Model No.	Q'ty/ box	No.	Part Name	Q'ty
J27M-06FMH-7KL-M	12	①	Receptacle contact (M type)	7
		②	Receptacle housing	1
		③	Top cover	1
		④	Bottom cover	1
		⑤	Cover seal	1
		⑥	Seal rubber plate	1
		⑦	Seal ring	1
		⑧	Clamp ring	1
		⑨	Ring	1
		⑩	Clamp nut	1
		⑪	O ring	2
		⑫	M2X21 sems screw	2
		⑬	M2X10 sems screw	2

RoHS2 compliance This product displays (PF) on a label.

Connector kit Model No.	Q'ty/ box	No.	Part Name	Q'ty
J37M-06FMH-8KL-ML	12	①	Receptacle contact (M type)	7
		②	Receptacle contact (L type)	7
		③	Receptacle housing	1
		④	Top cover	1
		⑤	Bottom cover	1
		⑥	Cover seal	1
		⑦	Seal rubber plate	1
		⑧	Seal ring	1
		⑨	Clamp ring	1
		⑩	Ring	1
		⑪	Clamp nut	1
		⑫	O ring	2
		⑬	M2.5X23 sems screw	2
		⑭	M2X10 sems screw	2

RoHS2 compliance This product displays (PF) on a label.

Note: M and L types of receptacle contact are the same packing specification.

## Model number allocation

### Receptacle contact

S J1 F - 01 GF - P 08	
Form: S...Strip form	
Series name: J1...J1000, J2...J2000, J3...J3000	
Type of terminal: F...Receptacle contact	
Applicable wire range: 01...AWG #24 to #20 41...AWG #20 to #16	
Surface finish: GF...Nickel-undercoated, 0.38 $\mu$ m selective gold-plated	
Material: P...Copper alloy	
Terminal size: 0.8...J1000, 1.0...J2000, 1.8...J3000	

### Kit

J17M - 06 FMH - 7 K L - M	
Series name: J17M...J1700M, J27M...J2700M, J37M...J3700M	
No. of circuits: 6	
Part name	
Applicable cable O.D.: 7... $\phi$ 7, 8... $\phi$ 8	
Color: K...Black	
Packaging form: L...Tray for kit	
Wire range mark: M...M type, ML...M, L types (Same packing spec.)	