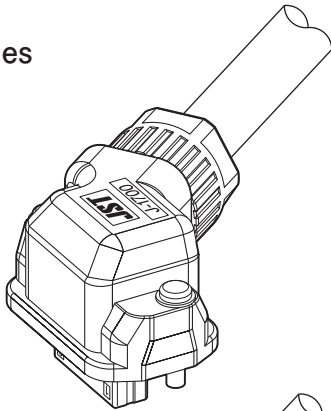


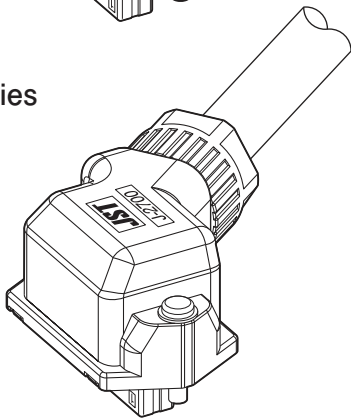
JFA CONNECTOR J1700/2700/3700 SERIES (S TYPE)

Connector for motor (Reversed mounting arrangement product)

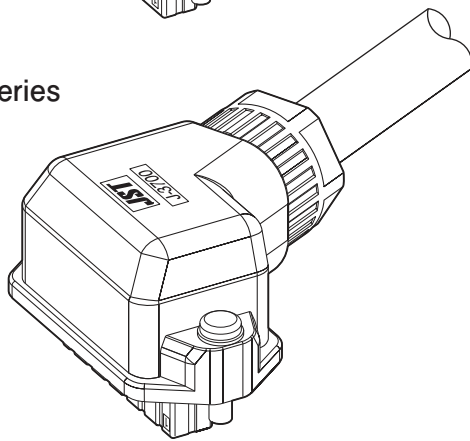
J1700 Series



J2700 Series



J3700 Series



- 6-circuit connector for power supply of servomotor
- Direction of drawing out cable can be selected at left or right.

■ Standards

Ⓜ : Recognized E 60389

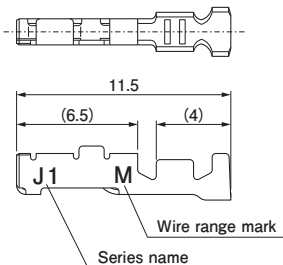
■ Specifications

- Current rating:
 - 5 A AC/DC J1700 Series 2.0 mm pitch
(When applying current to 3-circuit and using AWG #20.)
 - 7 A AC/DC J2700 Series 2.5 mm pitch
(When applying current to 3-circuit and using AWG #20.)
 - 10 A AC/DC J3700 Series 3.8 mm pitch
(When applying current to 3-circuit and using AWG #16.)
- Voltage rating: 250 V AC/DC
- Temperature range: -55°C to +105°C
(including temperature rise in applying electrical current)
- Applicable cable O.D.: $\phi 7 \pm 0.3$ mm (J1700/J2700 Series)
 $\phi 8 \pm 0.3$ mm (J3700 Series)
- Waterproof grade: JIS C0920 Degree of protection 7
(Waterproof type) [IPX7 of IEC 60529]
- * Model number of connector kits is only registered to UL standard. (Each part number except the receptacle contact is unregistered.)
- * Please note that the above general specifications may differ from the safety standards.
- * In using the products, refer to "Handling Precaution for Terminals and Connectors" described on our website (Technical documents of Product information page).
- * Dimensional unit: mm
- * RoHS2 Compliance
- * Contact JST for details.

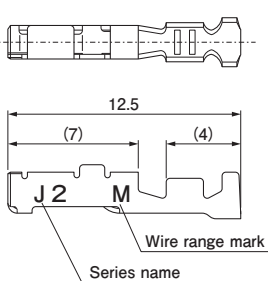
JFA CONNECTOR J1700/2700/3700 SERIES (S TYPE)

Receptacle contact

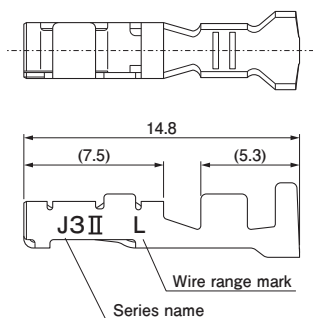
• J1000 Series



• J2000 Series



• J3000 Series



Series	Strip contact Model No.	Wire range mark	Applicable wire range			Q'ty/reel
			mm ²	AWG #	Insulation O.D. (mm)	
J1000	SJ1F-01GF-P0.8	M	0.20 to 0.50	24 to 20	1.11 to 1.53	6,000
J2000	SJ2F-01GF-P1.0	M	0.20 to 0.50	24 to 20	1.11 to 1.53	6,000
J3000	SJ3F-01GF-P1.8	M	0.20 to 0.50	24 to 20	1.11 to 1.86	3,500
	SJ3F-41GF-P1.8	L	0.50 to 1.25	20 to 16	1.53 to 2.50	3,000

Material and Finish

Copper alloy (superior conductivity), nickel-undercoated, selective gold-plated

RoHS2 compliance

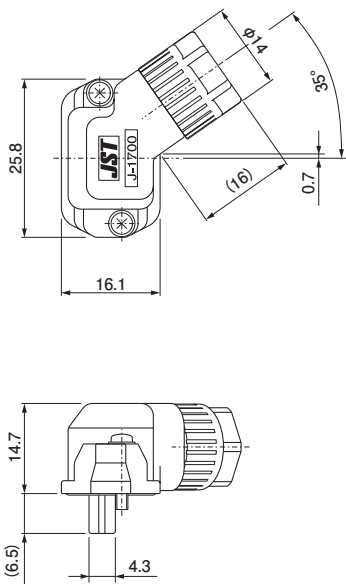
Note: Please note that the above applicable wire range may differ from the safety standards.

Crimping machine, Applicator

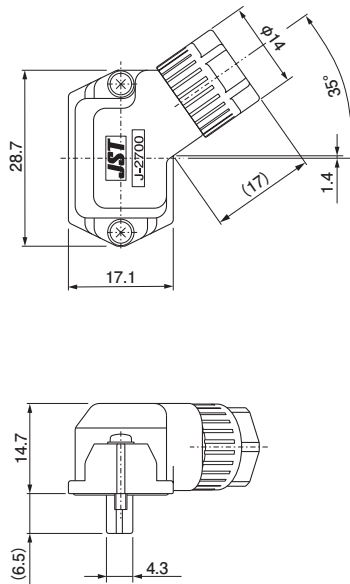
Series	Strip contact Model No.	Crimping machine	Applicator		Hand tools	
			Crimp applicator	Dies		
J1000	SJ1F-01GF-P0.8	AP-K2N	MKS-L	MK/SJ1F/M01-08	APLMK SJ1F/M01-08	YRS-8841
J2000	SJ2F-01GF-P1.0			MK/SJ2F/M01-10	APLMK SJ2F/M01-10	YRS-8861
J3000	SJ3F-01GF-P1.8			MK/SF3F/M01-20	APLMK SF3F/M01-20	YRF-881
	SJ3F-41GF-P1.8			MK/SF3F/M41-20	APLMK SF3F/M41-20	YRF-880

Assembly layout

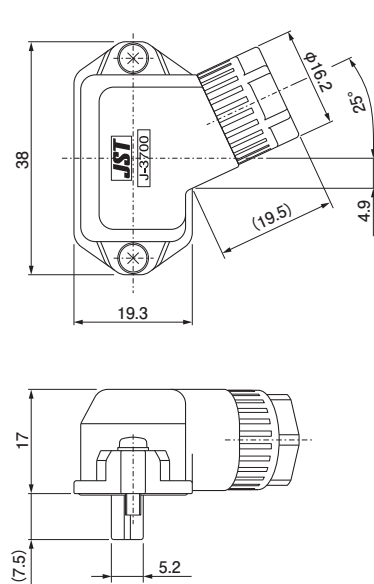
• J1700 Series



• J2700 Series



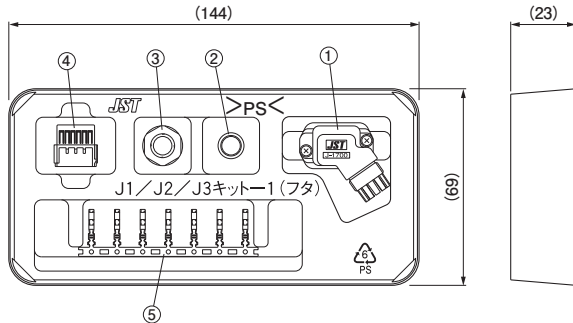
• J3700 Series



JFA CONNECTOR J1700/2700/3700 SERIES (S TYPE)

Connector kits

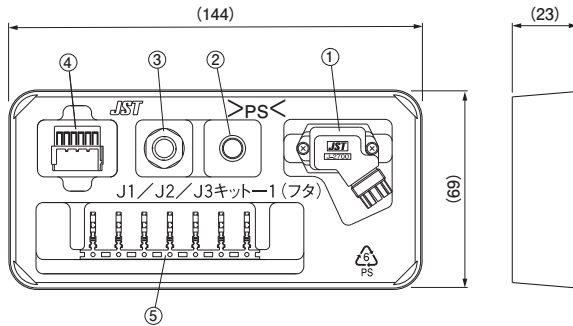
• J1700 Series



Connector kit Model No.	Q'ty/box	No.	Part Name	Q'ty
J17S-06FMH-7KL-M-CF	10	①	Cover assembly	1
		②	Seal ring	1
		③	Clamp nut	1
		④	Receptacle housing	1
		⑤	Receptacle contact (M type)	7

RoHS2 compliance

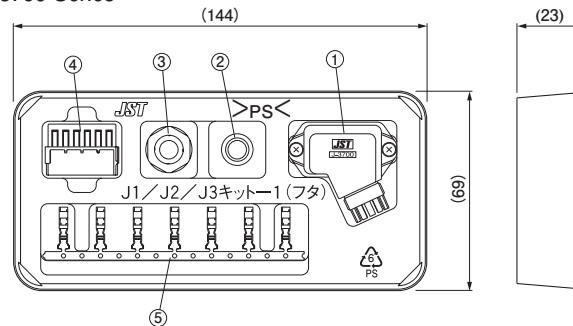
• J2700 Series



Connector kit Model No.	Q'ty/box	No.	Part Name	Q'ty
J27S-06FMH-7KL-M-CF	10	①	Cover assembly	1
		②	Seal ring	1
		③	Clamp nut	1
		④	Receptacle housing	1
		⑤	Receptacle contact (M type)	7

RoHS2 compliance

• J3700 Series



Connector kit Model No.	Q'ty/box	No.	Part Name	Q'ty
J37S-06FMH-8KL-L-CF	10	①	Cover assembly	1
		②	Seal ring	1
		③	Clamp nut	1
		④	Receptacle housing	1
		⑤	Receptacle contact (L type)	7

RoHS2 compliance

Connector parts

Components	J1700 Series			J2700 Series			J3700 Series		
	Model No.	Wire range mark	Q'ty/box	Model No.	Wire range mark	Q'ty/box	Model No.	Wire range mark	Q'ty/box
Cover assembly	*J17S-COA-KR	—	45	*J27S-COA-KR	—	45	*J37S-COA-KR	—	30
Seal ring	*JSSR-7KN	—	1,000 (bag)	*JSSR-7KN	—	1,000 (bag)	*JSSR-8KN	—	500 (bag)
Clamp nut	*JSCN-M12V-K	—	800	*JSCN-M12V-K	—	800	*JSCN-M14V-K	—	600
Receptacle housing	*J1SFSN-06V-K	—	800	*J2SFSN-06V-K	—	700	*J3SFSN-06V-K	—	400
Receptacle contact	SJ1F-01GF-P0.8	M	6,000 (reel)	SJ2F-01GF-P1.0	M	6,000 (reel)	SJ3F-01GF-P1.8	M	3,500 (reel)
							SJ3F-41GF-P1.8	L	3,000 (reel)

RoHS2 compliance

Note: *Marked products are unlisted in UL.

JFA CONNECTOR J1700/2700/3700 SERIES (S TYPE)

Model number allocation

Receptacle contact

S J1 F - 01 GF - P 08

Form: S...Strip form

Series name: J1...J1000, J2...J2000, J3...J3000

Type of terminal: F...Receptacle contact

Applicable wire range: 01...AWG #24 to #20, 41...AWG #20 to #16

Surface finish: GF...Nickel-undercoated, 0.38 μm selective gold-plated

Material: P...Copper alloy

Terminal size: 0.8...J1000, 1.0...J2000, 1.8...J3000

Kit

J17S - 06 FMH - 7 K L - M - CF

Series name: J17S...J1700, J27S...J2700, J37S...J3700

No. of circuits: 6

Part name

Applicable cable O.D.: 7... φ7, 8... φ8

Color: K...Black

Packaging form: L...Tray for kit

Wire range mark: M...M type, L...L type

Hexavalent chromium free

Cover assembly

J17S - COA - K R

Series name: J17S...J1700, J27S...J2700, J37S...J3700

Part name

Color: K...Black

Packaging form: R...Tray

Seal ring

JS SR - 7 K N

Series name

Part name

Applicable cable O.D.: 7... φ7, 8... φ8

Color: K...Black

Material

Clamp nut

JS CN - M12 V - K

Series name

Part name

Screw size: M12...M12 screw, M14...M14 screw

Flammability: V...UL94V-0

Color: K...Black

Receptacle housing

J1S F S N - 06 V - K

Series name: J1S...J1700, J2S...J2700, J3S...J3700

Part name

Rows: S...Single-row

Mounting arrangement: N...Non-locking type

No. of circuits: 6

Flammability: V...UL94V-0

Color: K...Black