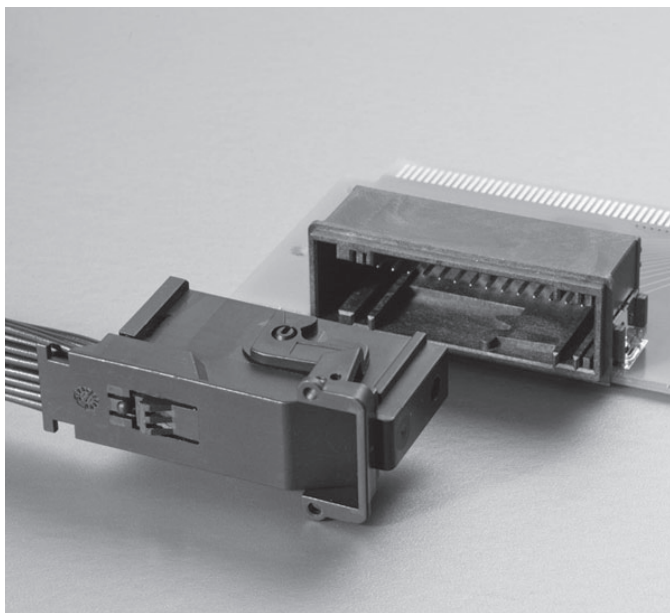


ACA CONNECTOR

Board-to-wire



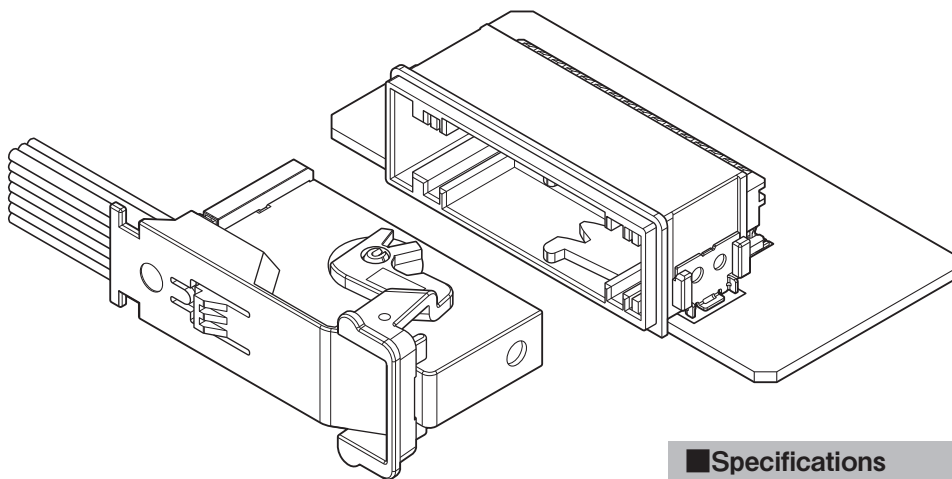
■ Features

- **High Soldering Quality by Auto Coplanarity Technology**
 - Auto Coplanarity Technology(*1) achieves stable mounting to PCB.
 - Self Alignment Effects(*2) enable soldering parts to perform better.
- **Terminal Construction**
 - Four contact points and Dual Springs achieve high reliability.

*1. Auto coplanarity technology:
Terminals align to PCB without having influence of PCB warpage or thermal expansion of housing.

*2. Self alignment effects:
Terminals are drawn by surface tension force and align to center position during re-flow process.

2.54mm pitch, 0.64 unsealed surface mounting type connector with Auto Coplanarity Technology.
This technology achieves stable mounting to PCB during re-flow process.

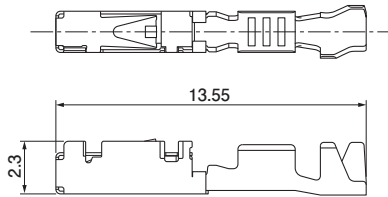


■ Specifications

- Current rating: 3 A AC, DC
- Voltage rating: 14 V AC, DC
- Temperature range: -40°C to +100°C
(including temperature rise in applying electrical current)
- Contact resistance: Initial value/ 20 mΩ max.
After environmental tests/ 20 mΩ max.
- Insulation resistance: 100 MΩ min.
- Withstanding voltage: 1,000 VAC/minute
- Applicable wire: AVSS
0.3 mm² to 0.5 mm²

* Compliant with ELV/RoHS.
* Contact JST for details.

Female terminal



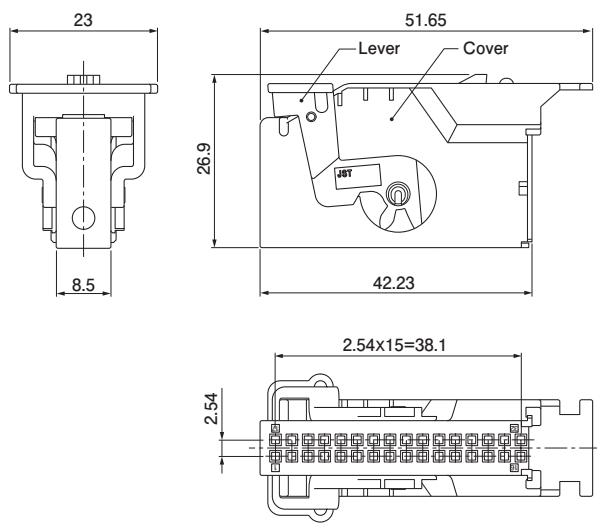
Model No.	Applicable wire range		Q'ty/reel
	Conductor (mm ²)	Insulation O.D. (mm)	
SGIT-B021T-MS0.64	0.3 to 0.5	1.4 to 1.7	9,000

Material and Finish

Terminal box: SUS
Terminal spring: Copper alloy, tin-plated

Female connector

Cover housing assembly



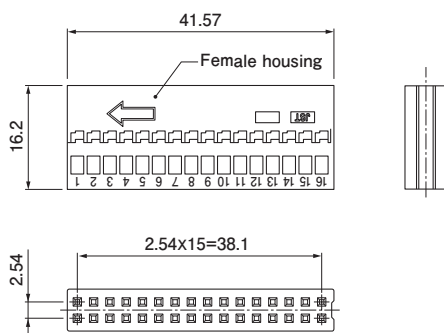
Circuits	Model No.	Q'ty/box
32	32GIT-CL-1A-()-()	600

Material

Glass-filled PBT, black

Note: Color/Key codes other than above-mentioned housing are also available.

Female housing

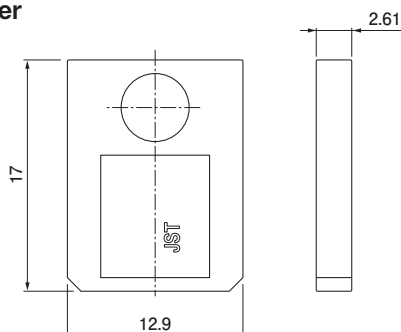


Circuits	Model No.	Q'ty/box
32	GITR-32H-1A-K	975

Material

Glass-filled PBT, black

Slide cover



Model No.	Q'ty/box
GITSL-H-2A-K	500

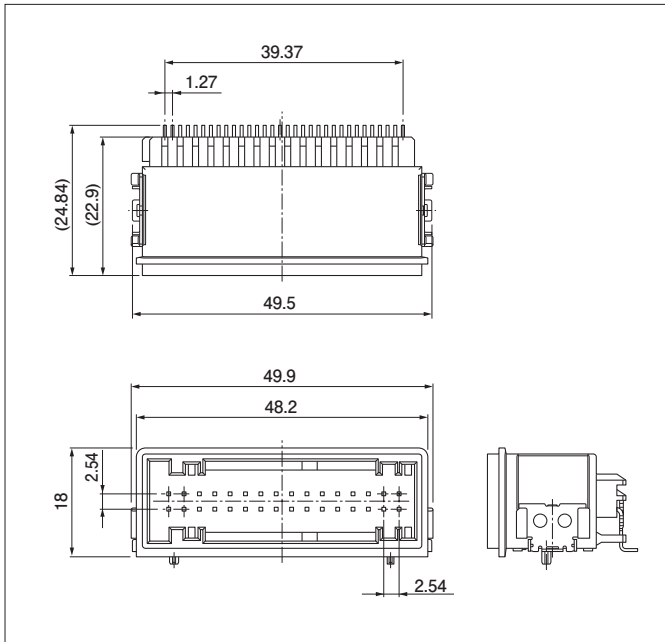
Material

Glass-filled PBT, black

Note: The above Q'ty/box indicates inner box Q'ty. Contact JST for details.

ACA CONNECTOR

Male connector



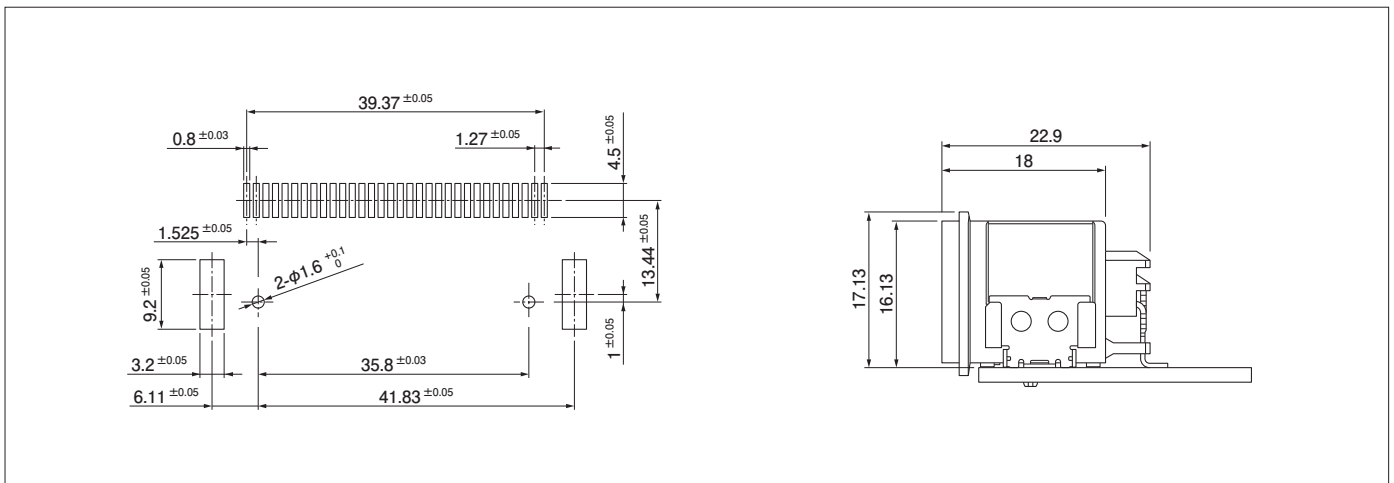
Circuits	Model No.	Q'ty/box
32	SM32B-ACAK-1A-()M	600

Material and Finish

Housing: Glass-filled LCP, black
 Terminal: Brass, nickel-undercoated, tin-plated
 Tab: Brass, nickel-undercoated, tin-plated

- Note: 1. This product displays (LF)(SN) on a label.
 2. Key codes other than above-mentioned housing are also available. Contact JST for details.

PC board layout (viewed from component side), Assembly layout



- Note: 1. Tolerances are non-cumulative: 0.05mm for all centers.
 2. The dimensions above should serve as guideline. Contact JST for details.

Crimping machine, Applicator

Strip terminal	Crimping machine	Crimp applicator MKS-L	
		Dies	Crimp applicator with dies
SGIT-B021T-MS0.64	AP-K2N	MK/SGIT-B021-064	APLMK SGIT-B021-064

Note: When crimping operation is conducted using an applicator and die set other than the above, JST cannot guarantee the performance of the terminal.