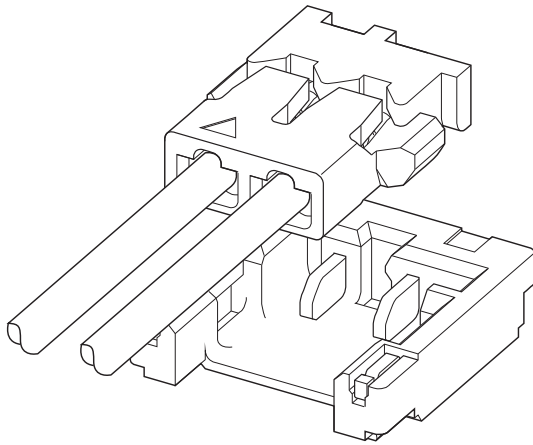


ACHL CONNECTOR

1.2 mm pitch/Wire-to-Board connectors/Crimp style and Mating style



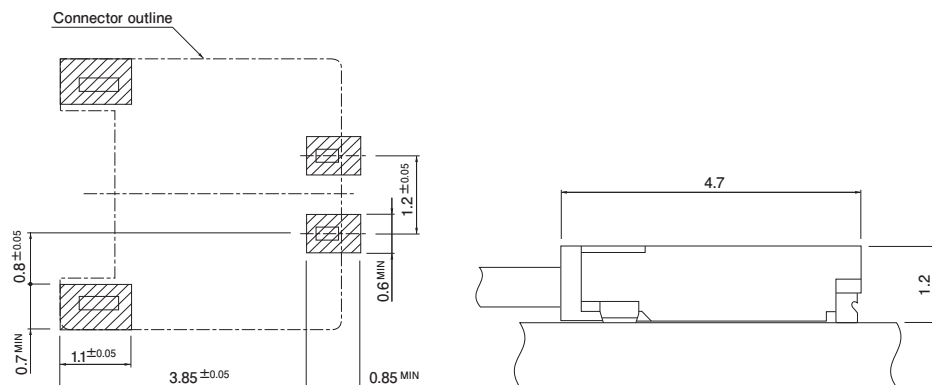
This connector is stacking height 1.2 mm and 1.2 mm pitch. In addition, in spite of it, rated current is 2 A with wire size AWG #28. And about the crimping tool such as the applicator, it is possible to use that of ACH connector.

- Top entry but side feed type
- Connector for power supply
- Corresponding to sucking nozzle of pick and place machine

Specifications

- Current rating: 2.0 A AC/DC (AWG #28)
 - Voltage rating: 50 V AC/DC
 - Temperature range: -25°C to +85°C
(including temperature rise in applying electrical current)
 - Contact resistance: Initial value/ 10 mΩ max.
After environmental tests/ 20 mΩ max.
 - Insulation resistance: 100 MΩ min.
 - Withstanding voltage:
There shall be no breakdown or flashover while applying 500 VAC for one minute.
 - Applicable wire range:
Conductor size/ AWG #30 to AWG #28
Insulation O.D./ ϕ 0.50 mm to ϕ 0.63 mm
- * Please refer to the "Handling Precautions for Terminals and Connectors" on our website (listed in the "Technical Documents" column on the Product Information page) before use.
- * RoHS2 compliance
- * Dimensional unit: mm
- * Contact JST for details.

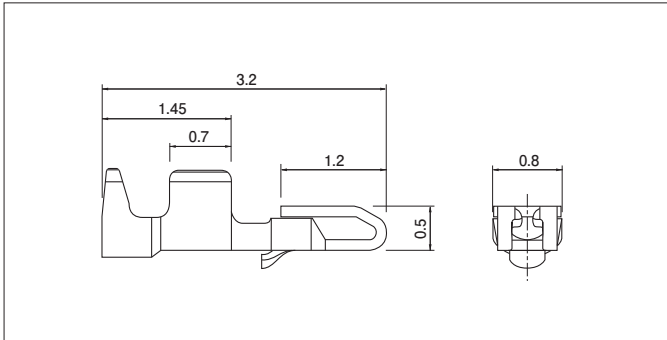
PC board layout and Assembly layout



Note: 1. Tolerance for the PCB pattern pitch shall be ± 0.05 and shall not accumulate. The above dimensions are reference values. Please contact JST for details.

ACHL CONNECTOR

Contact



Model No.	Applicable wire range		Insulation O.D. (mm)	Q'ty / reel
	mm ²	AWG#		
SACHL-003G-P0.2	0.05 to 0.08	30 to 28	0.50 to 0.63	30,000

Material and Surface finish, etc.

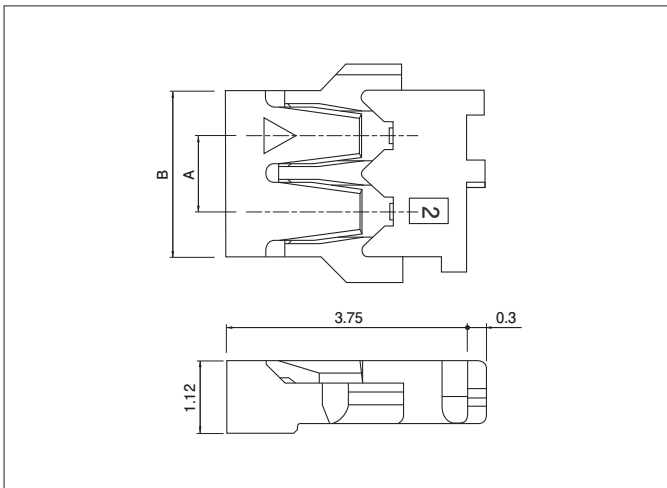
Copper alloy, nickel-undercoated, gold-plated

Crimping machine

Contact	Crimping machine	Applicator	Crimp applicator with dies
SACHL-003G-P0.2	AP-K2N	MKS-L-10-3	APLMK SACH003-02

Note: Contact JST for fully automatic crimping applicator.

Housing

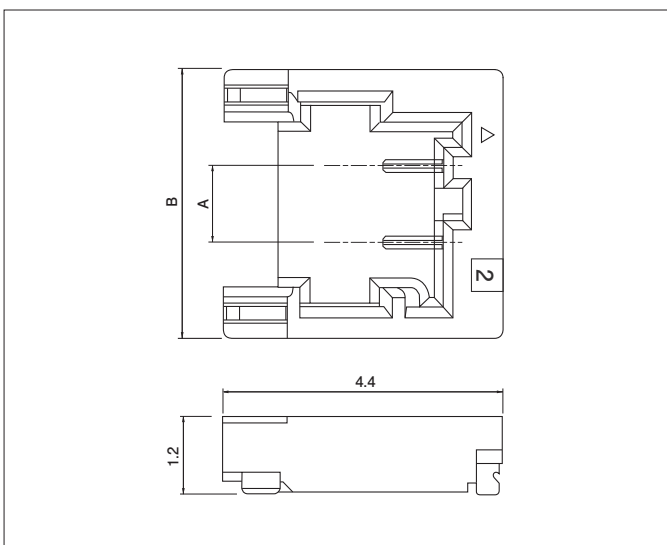


No. of circuits	Model No.	Dimensions (mm)		Q'ty / bag
		A	B	
2	ACHLR-02V-S	1.2	2.6	1,000

Material and Surface finish, etc.

PBT, UL94V-0, natural

Header



No. of circuits	Model No.	Dimensions (mm)		Q'ty / reel
		A	B	
2	BM02B-ACHLKS-GAN-ETF	1.2	4.2	5,000

Material and Surface finish, etc.

Contact: Copper alloy, nickel-undercoated, gold-plated (nickel-stripe)

Housing: Heat resisting resin, UL94V-0, black

Reinforcement: Copper alloy, copper-undercoated, tin-plated

Note: This product displays (LF)(SN) on a label.

Model number allocation

Contact

S ACHL - 003 G - P 0.2

Form: S··Strip form

Series name

Applicable wire range: 003··AWG #30 to AWG #28

Surface finish: G··Nickel-undercoated gold-plated

Material: Copper alloy

Terminal size

Housing

ACHL R - 02 V - S

Series name

Part name: Receptacle

No. of circuits: 2

Flammability: V··UL94V-0

Color: S··Natural

Header

BM 02 B - ACHLKS - GAN - ETF

PCB mounting style:
BM··SMT top entry type

No. of circuits: 2

Part name: Header

Series name

Color: K··Black

Sub model number

Surface finish: GAN··Nickel-undercoated gold-plated (nickel stripe)

Packaging style: ETF··Embossed-taping