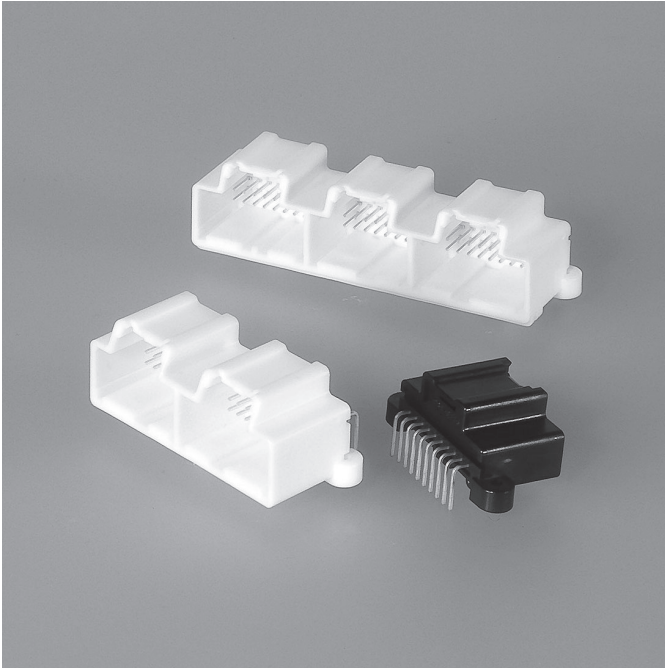


# AIT CONNECTOR

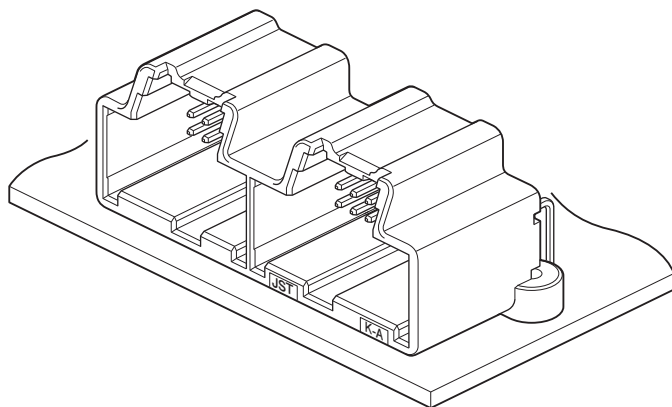
Board-to-wire/Wire-to-wire

## ■ Features

- Compliant with the Standard 0.64 Unsealed USCAR Footprints and USCAR Performance Standards
- Variations in PCB mountings



0.64 unsealed connector series compliant with the standard USCAR footprints.  
Variations of Keying / Color options and PC Board mounting features are available to satisfy customer's needs.

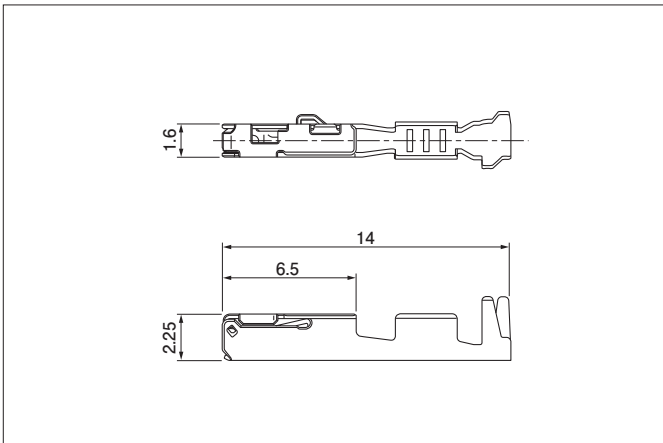


## ■ Specifications

- Current rating: 5 A DC max.
- Voltage rating: 14 V DC
- Temperature range: -40°C to +100°C  
(including temperature rise in applying electrical current)
- Contact resistance: Initial value/ 15 mΩ max.  
After environmental tests/ 15 mΩ max.
- Insulation resistance: 100 MΩ min.
- Applicable wire: SAE/ AVSS / CAVS  
0.3 mm<sup>2</sup> to 0.8 mm<sup>2</sup>

\* Compliant with ELV/RoHS.  
\* Contact JST for details.

## Female terminal

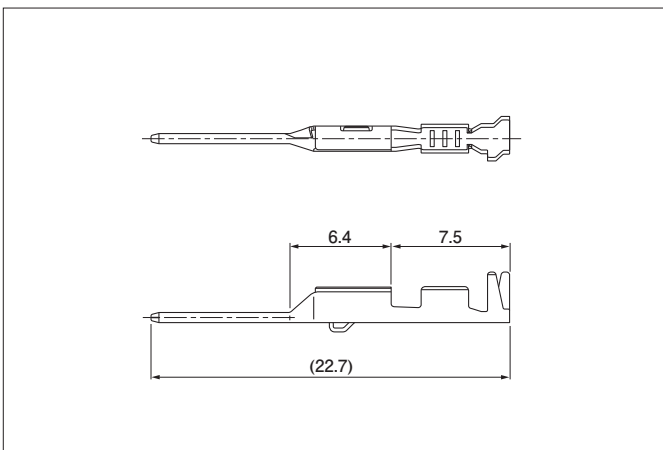


Size	Model No.	Applicable wire range		Q'ty/reel
		Conductor (mm <sup>2</sup> )	Insulation O.D. (mm)	
S	①SAIT-A03T-M064	0.3 to 0.5	≤1.9	6,500
	②SAIT-A03GF-M064	0.3 to 0.5	≤1.9	6,500
M	①SAIT-A02T-M064	0.75 to 0.8	≤1.9	6,500
	②SAIT-A02GF-M064	0.75 to 0.8	≤1.9	6,500

### Material and Finish

- ①Copper alloy, tin-plated (reflow treatment)
- ②Copper alloy, Contact area; gold-plated  
Barrel area; tin-plated

## Male terminal

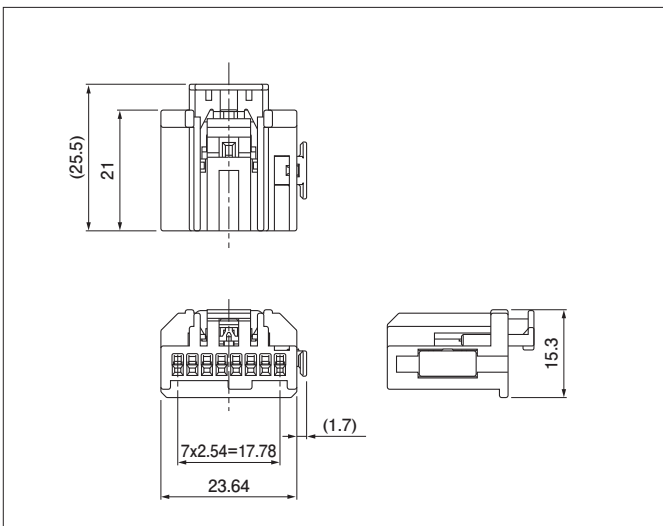


Size	Model No.	Applicable wire range		Q'ty/reel
		Conductor (mm <sup>2</sup> )	Insulation O.D. (mm)	
S	①SAITW-A03T-064	0.3 to 0.5	≤1.9	9,000
	②SAITW-A03GF-064	0.3 to 0.5	≤1.9	9,000
M	①SAITW-A02T-064	0.75 to 0.8	≤1.9	7,000
	②SAITW-A02GF-064	0.75 to 0.8	≤1.9	7,000

### Material and Finish

- ①Brass, tin-plated (reflow treatment)
- ②Brass, Contact area; gold-plated  
Barrel area; tin-plated

## Female Connector

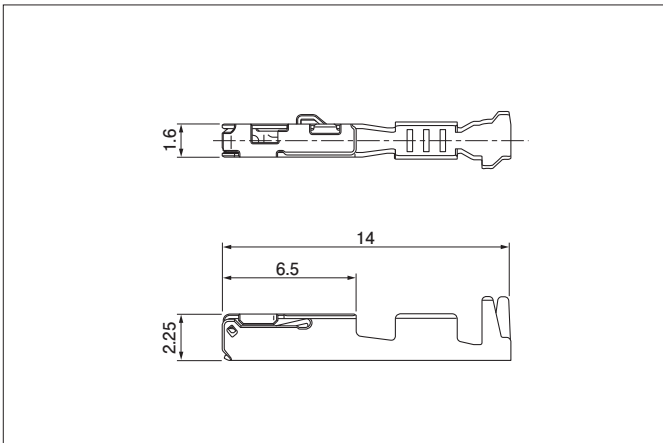


Circuits	Model No.	Q'ty/box
8	AITPB-C08-1A-K	1,500

### Material

Housing: Glass-filled PBT, Black  
TPA: Glass-filled PBT, Red  
CPA: Glass-filled PBT, Red

## Female terminal

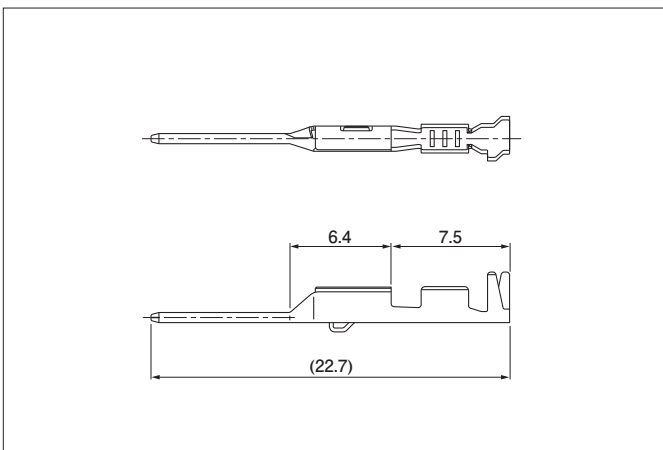


Size	Model No.	Applicable wire range		Q'ty/reel
		Conductor (mm <sup>2</sup> )	Insulation O.D. (mm)	
S	①SAIT-A03T-M064	0.3 to 0.5	≤1.9	6,500
	②SAIT-A03GF-M064	0.3 to 0.5	≤1.9	6,500
M	①SAIT-A02T-M064	0.75 to 0.8	≤1.9	6,500
	②SAIT-A02GF-M064	0.75 to 0.8	≤1.9	6,500

### Material and Finish

- ①Copper alloy, tin-plated (reflow treatment)
- ②Copper alloy, Contact area; gold-plated  
Barrel area; tin-plated

## Male terminal

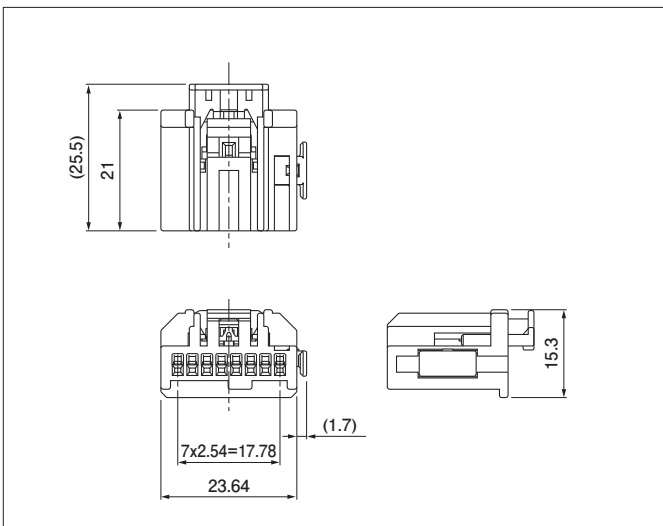


Size	Model No.	Applicable wire range		Q'ty/reel
		Conductor (mm <sup>2</sup> )	Insulation O.D. (mm)	
S	①SAITW-A03T-064	0.3 to 0.5	≤1.9	7,000
	②SAITW-A03GF-064	0.3 to 0.5	≤1.9	7,000
M	①SAITW-A02T-064	0.75 to 0.8	≤1.9	7,000
	②SAITW-A02GF-064	0.75 to 0.8	≤1.9	7,000

### Material and Finish

- ①Brass, tin-plated (reflow treatment)
- ②Brass, Contact area; gold-plated  
Barrel area; tin-plated

## Female Connector



Circuits	Model No.	Q'ty/box
8	AITPB-C08-1A-K	1,500

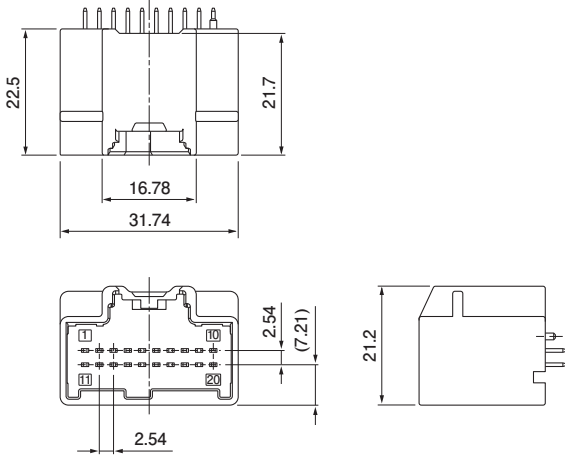
### Material

Housing: Glass-filled PBT, Black  
 TPA: Glass-filled PBT, Red  
 CPA: Glass-filled PBT, Red

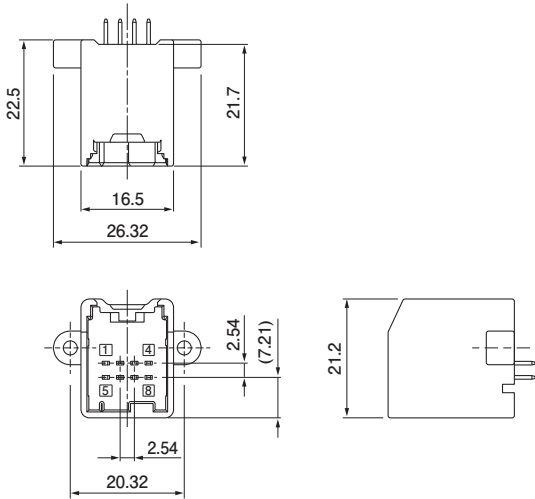
# AIT CONNECTOR

## Male connector (Top entry type)

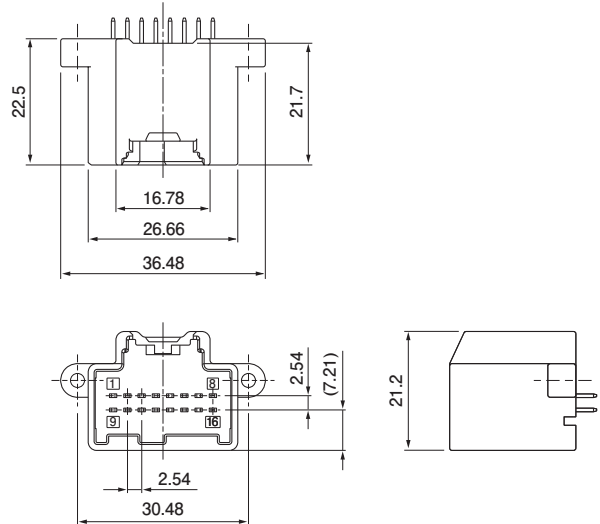
### With boss ●20 circuits



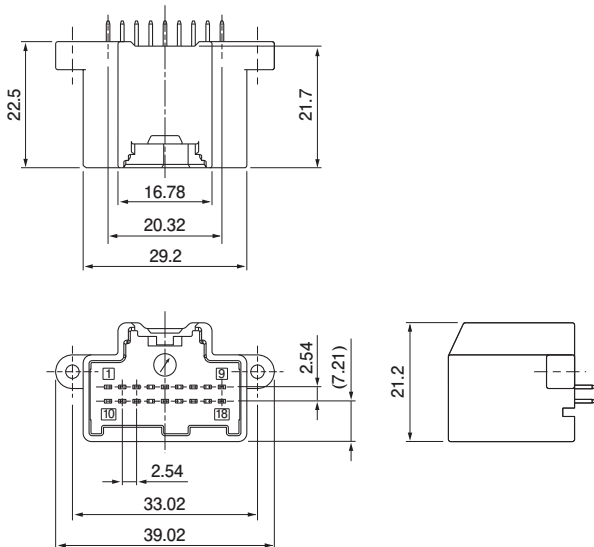
### Screw hole type ●8 circuits



### ●16 circuits



### ●18 circuits



PCB Mounting Style	Circuits	Model No.	Q'ty/box	Housing Color
Boss	20	B20B2-AIT-A2A-KS	700	Black
		B20B2-AIT-A2C-NS	700	Brown
Screw hole	8	B08B-AIT-A2A-KS	810	Black
		B08B-AIT-A2B-HS	810	Gray
	16	B16B-AIT-A2A-KS	600	Black
		B16B-AIT-A2B-HS	600	Black
18	B18B-AIT-A2F-SS	600	Natural (White)	

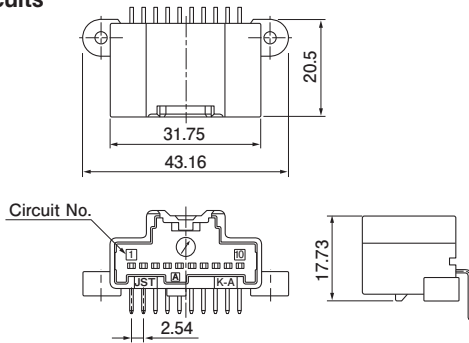
#### Material and Finish

Housing: Glass-filled PA  
Pin: Brass, tin-plated

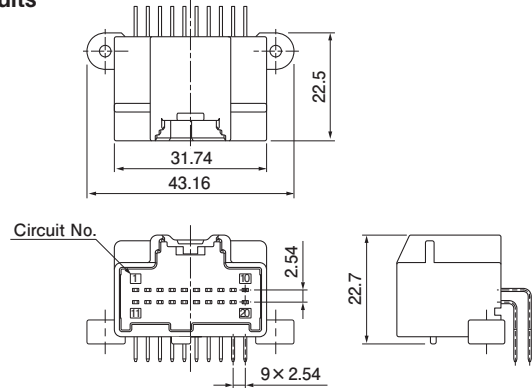
## Male connector (Side entry type)

### Screw hole type

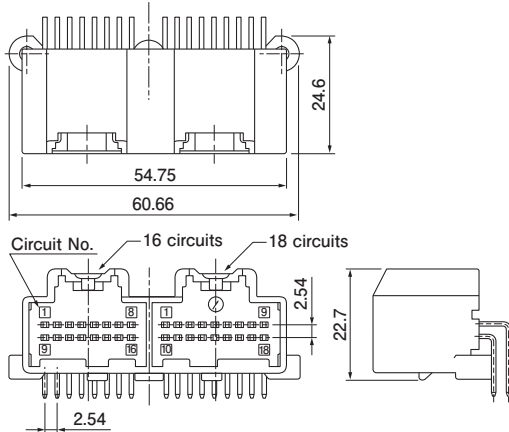
#### ●10 circuits



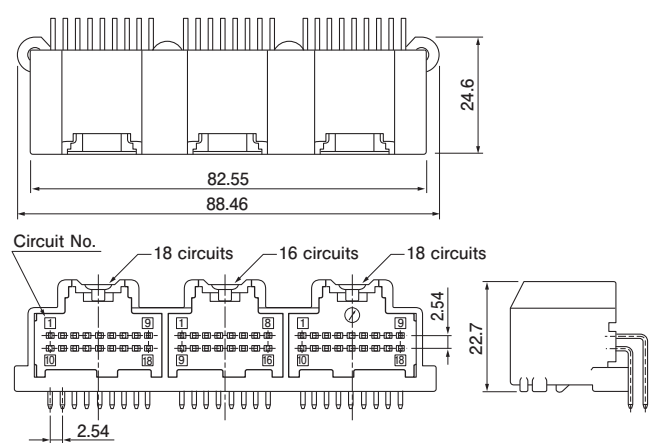
#### ●20 circuits



#### ●34 circuits

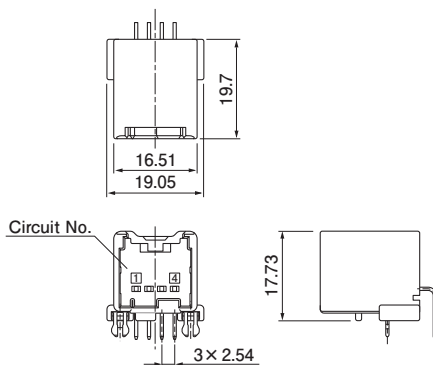


#### ●52 circuits

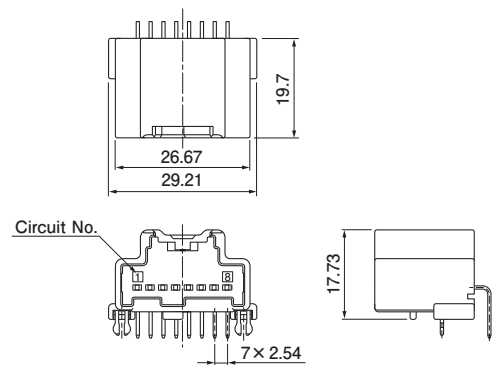


### Reinforcement type

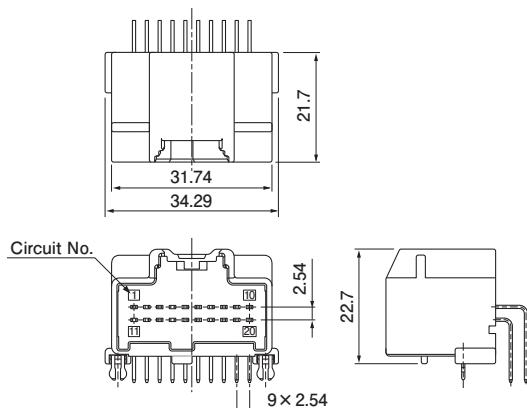
#### ●4 circuits



#### ●8 circuits



#### ●20 circuits



PCB Mounting Style	Circuits	Model No.	Q'ty/box	Housing Color
Screw hole	10	S10B-AIT-A1A-KS(M)(LF)(SN)	585	Black
	20	S20B-AIT-A2A-KS	336	Black
		S20B-AIT-A2B-HS	336	Gray
		S34B-AIT-A22-SS(M)(LF)(SN)	252	Natural (White)
	52	S52B-AIT-A23-SS(M)(LF)(SN)	168	Natural (White)
*Reinforcement	4	S04B1-AIT-A1A-KS	880	Black
	8	S08B1-AIT-A1A-KS	560	Black
	20	S20B1-AIT-A2A-KS	360	Black
		S20B1-AIT-A2B-HS	360	Gray

#### Material and Finish

Housing: Glass-filled PBT

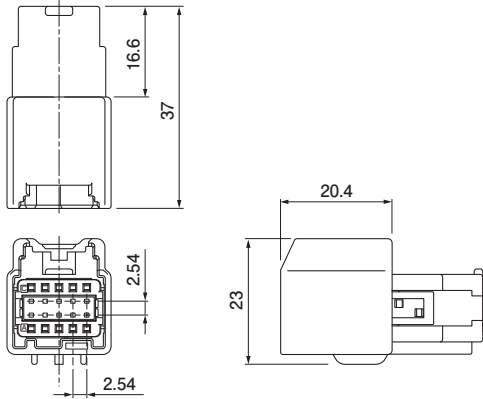
Pin: Brass, tin-plated

\*Reinforcement: Brass, tin-plated

# AIT CONNECTOR

## Male connector (Wire-to-wire type)

●10 circuits



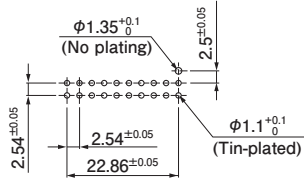
Circuits	Model No.	Q'ty/box
10	AITWSB-10-2AK	100
<b>Material</b>		
Housing: Glass-filled PBT, Black		
TPA: Glass-filled PBT, Red		

## PC board layout

### Top entry type

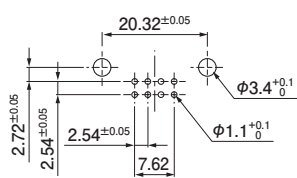
With boss

●20 circuits

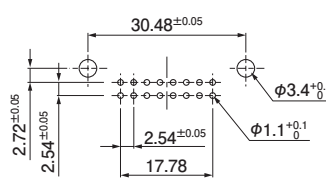


### Screw hole type

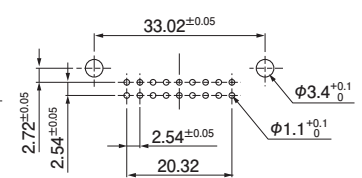
●8 circuits



●16 circuits



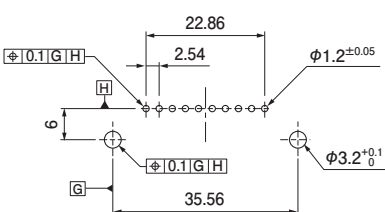
●18 circuits



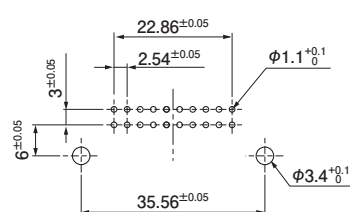
### Side entry type

Screw hole type

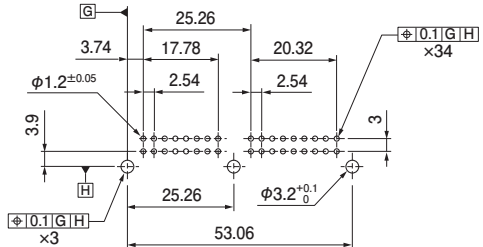
●10 circuits



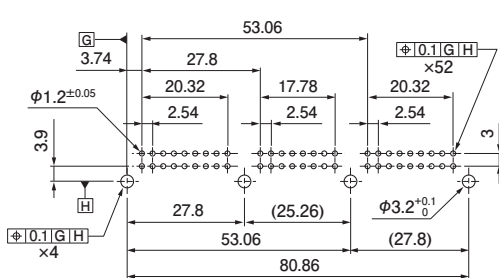
●20 circuits



●34 circuits

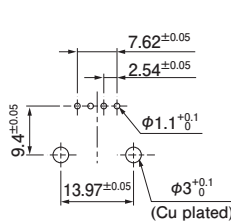


●52 circuits

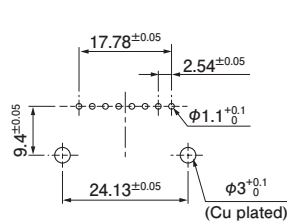


### Reinforcement type

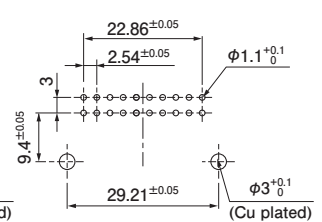
●4 circuits



●8 circuits



●20 circuits



Note: 1. Tolerances are non-cumulative.  
2. Hole dimensions differ according to the type of PC board and piercing method. The dimensions above should serve as guideline. Contact JST for details.

## Crimping machine, Applicator

Strip terminal	Crimping machine	Crimp applicator MKS-L	
		Dies	Crimp applicator with dies
SAIT-A03( )-M064	AP-K2N	MK/SAIT-A03-064	APLMK SAIT-A03-064
SAIT-A02( )-M064		MK/SAIT-A02-064	APLMK SAIT-A02-064
SAITW-A03( )-064		MK/SAITW-A03-064	APLMK SAITW-A03-064
SAITW-A02( )-064		MK/SAITW-A02-064	APLMK SAITW-A02-064

Note: When crimping operation is conducted using an applicator and die set other than the above, JST cannot guarantee the performance of the terminal.