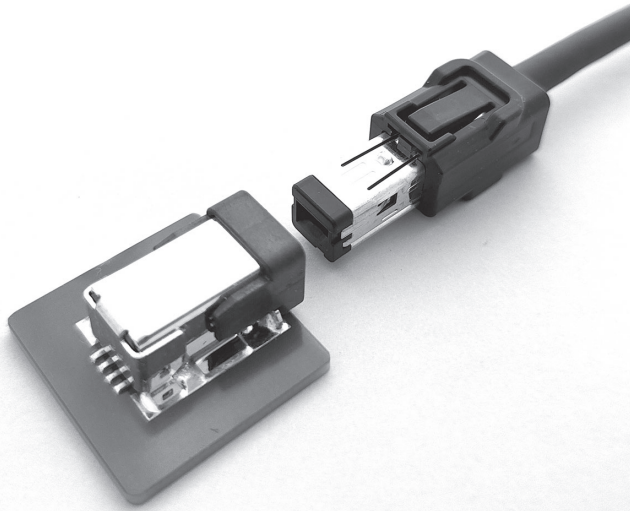
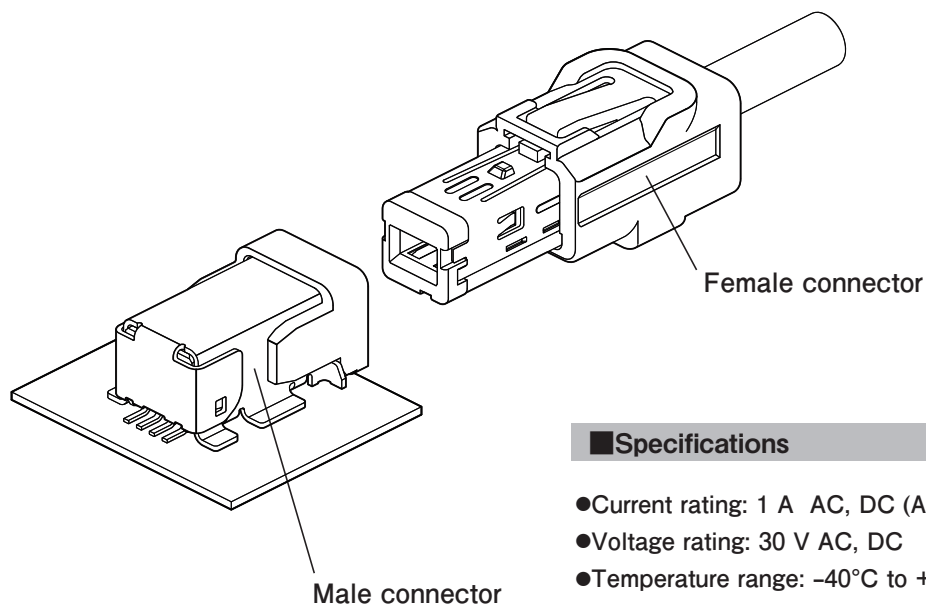


# ASU CONNECTOR

Board-to-wire



ASU is a compact, high-speed transmission connector ideal for in-vehicle equipment such as Electronic Toll Collection Systems (ETC), navigation systems and Human Machine Interface (HMI). Designed for SMT termination.



## ■ Features

### ● High Reliability

Terminal structure for automotive equipments.  
This small connector enables the retention force of more than 98N with unique reinforcement tabs structure.

### ● Supports high-speed data transmission

Transmission speed: up to 2 Gbps

### ● Compact Design

Connector width: 10.7mm/ Height: 7.7mm

### ● Noise Performance

Excellent performance by metal shell shielding structure.

## ■ Specifications

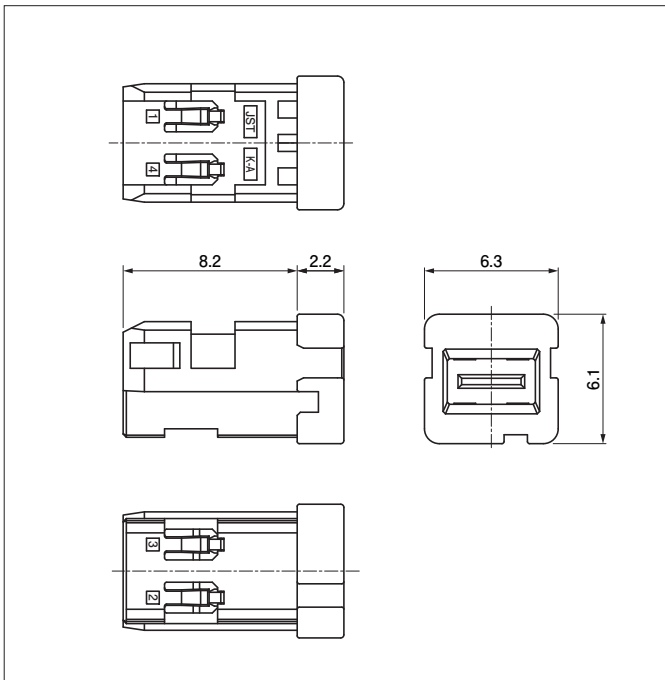
- Current rating: 1 A AC, DC (AWG #28)
- Voltage rating: 30 V AC, DC
- Temperature range: -40°C to +105°C  
(including temperature rise in applying electrical current)
- Applicable wire: Inner conductor / AWG #28 to AWG #26  
Sheath /  $\phi$ 4 mm
  - \* Contact JST for detail about applicable wire.
- Transmission speed: up to 2 Gbps
- Circuits: 4-circuit
- Keying features: 3 kinds of keying features
  - \* Only two kinds of keying features is under mass production.
- PC board mounting direction: Side entry (SMT)

\* Compliant with ELV/RoHS2.

\* Contact JST for details.

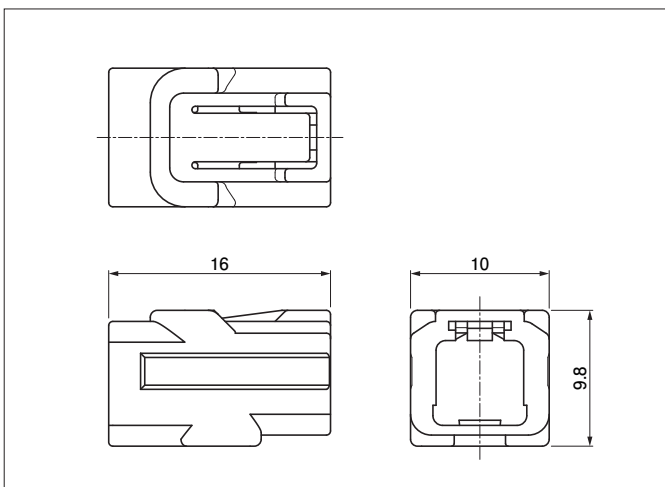
# ASU CONNECTOR

## Female inner housing



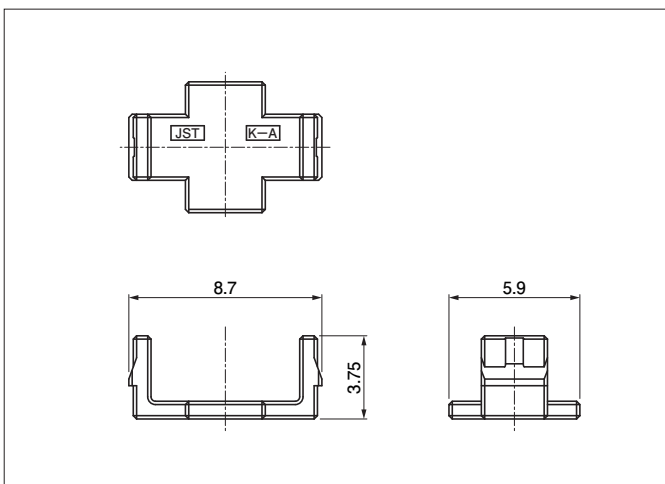
Circuits	Model No.	Q'ty/box	Housing Color
4	ASU-PHN4-K	500	Black
Material and Finish			
Thermoplastic resin			

## Female outer housing



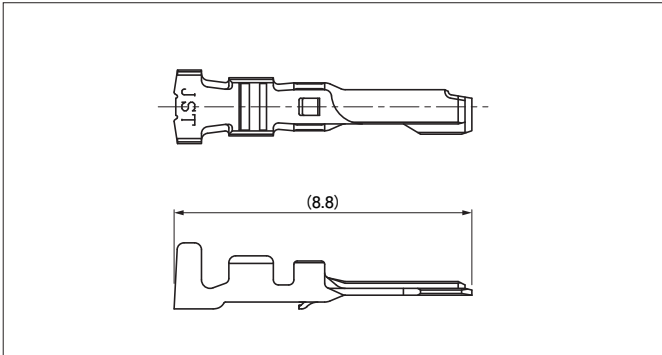
Model No.	Q'ty/box	Housing Color
ASU-PHG4-K	250	Black
Material and Finish		
Thermoplastic resin		

## Female retainer



Model No.	Q'ty/box	Housing Color
ASU-PRT-H	2,000	Gray
Material and Finish		
Thermoplastic resin		

## Female contact

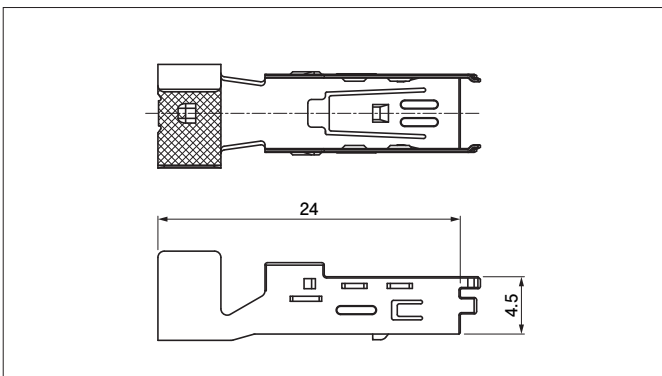


Model No.	Applicable wire range		Q'ty/reel
	Conductor (mm <sup>2</sup> )	Insulation O.D. (mm)	
SASU-002GD-P0.15	0.08 to 0.13	0.8 to 1.0	10,000

### Material and Finish

Copper alloy, nickel-undercoated, Contact mating area/ gold-plated  
Barrel/ tin-plated

## Female shell

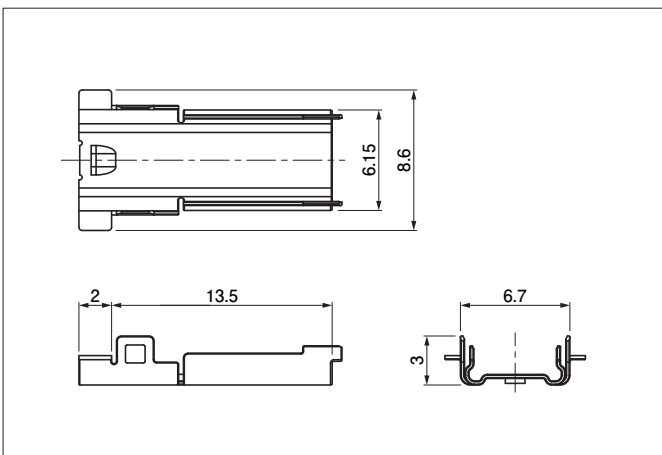


Model No.	Q'ty/reel
ASU-PS4-3RPT-1	1,200

### Material and Finish

Copper alloy, tin-plated

## Female cover shell

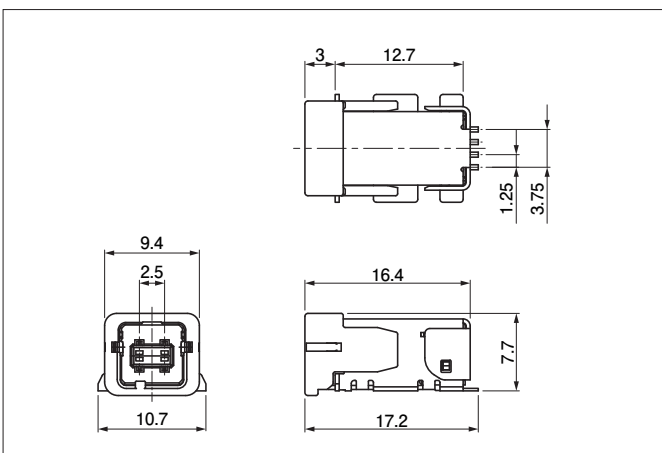


Model No.	Q'ty/reel
ASU-PCS4-3RPT	5,000

### Material and Finish

Copper alloy, tin-plated

## Male connector



Circuits	Model No.	Q'ty/reel
4	ASU-4RASM-12T1-K1-TR	500

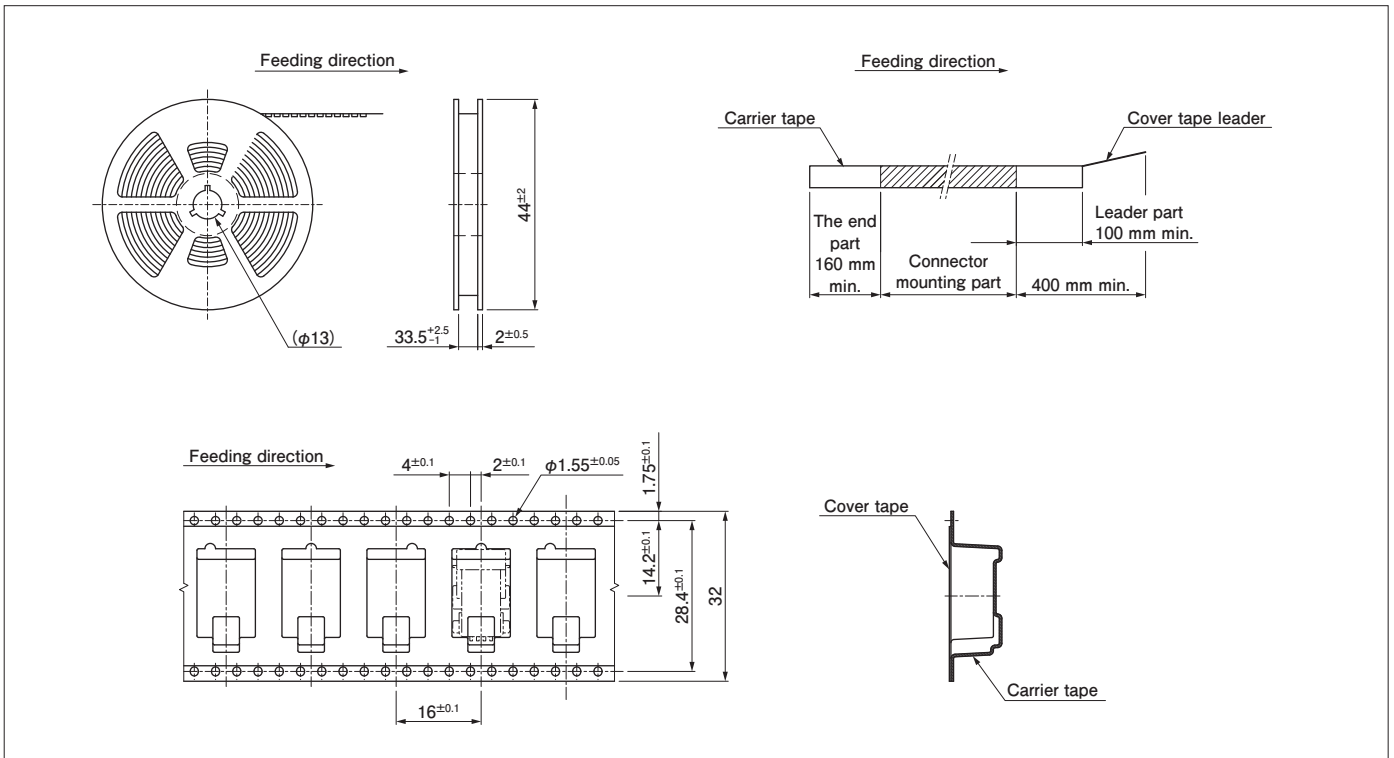
### Material and Finish

Male inner housing: Heat resisting resin, Black  
Male outer housing: Heat resisting resin, Black  
Male contact: Copper alloy, nickel-undercoated  
Contact mating area/ gold-plated  
Solder tail tin-plated  
Male shell: Copper alloy, copper-undercoated, tin-plated

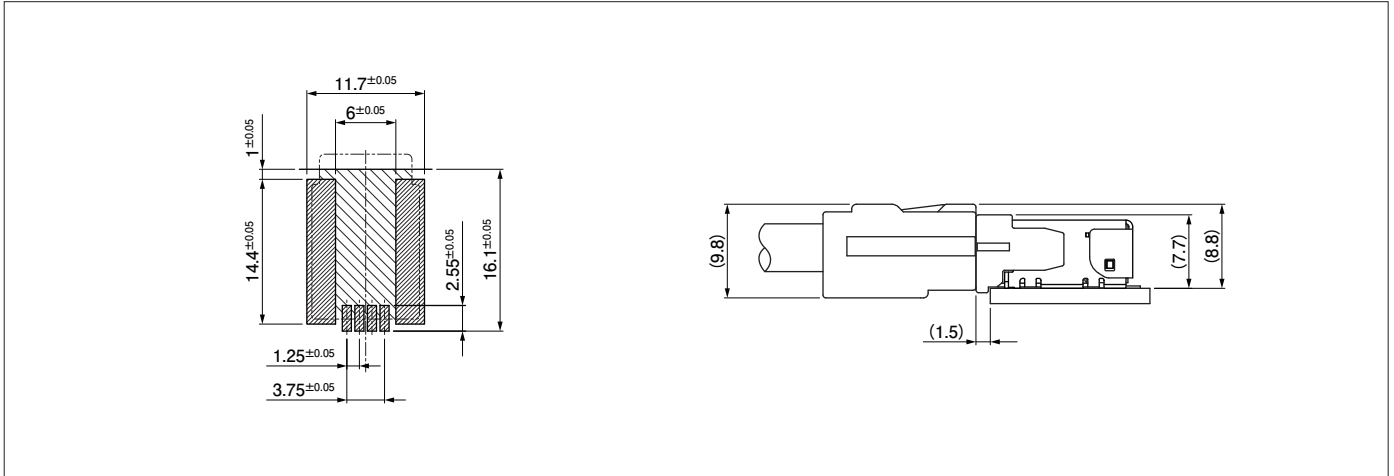
Note: This product displays (LF)(SN) on a label.

# ASU CONNECTOR

## Taping Specifications



## PC board layout, Assembly layout



Note: 1. Tolerances are non-cumulative:  $\pm 0.05$  mm for all centers.  
2. The dimensions above should serve as guideline. Contact JST for details.

## Crimping machine, Applicator

Strip terminal	Crimping machine	Crimp applicator MKS-L	
		Dies	Crimp applicator with dies
SASU-002GD-P0.15	AP-K2N	MK/SASU-002-015	APLMK SASU-002-015

Note: When crimping operation is conducted using an applicator and die set other than the above, JST cannot guarantee the performance of the terminal.

## Jig

Jig	Hand crimp tool
Shell crimping jig	H2-CP-ASU
Hand press	HPD-M2A