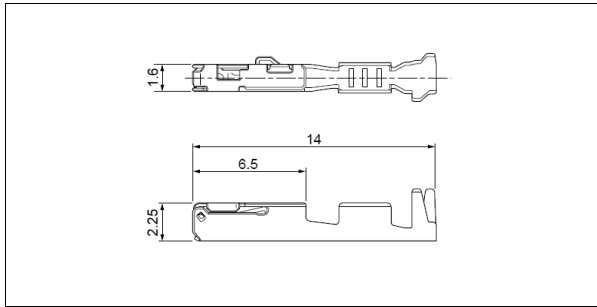
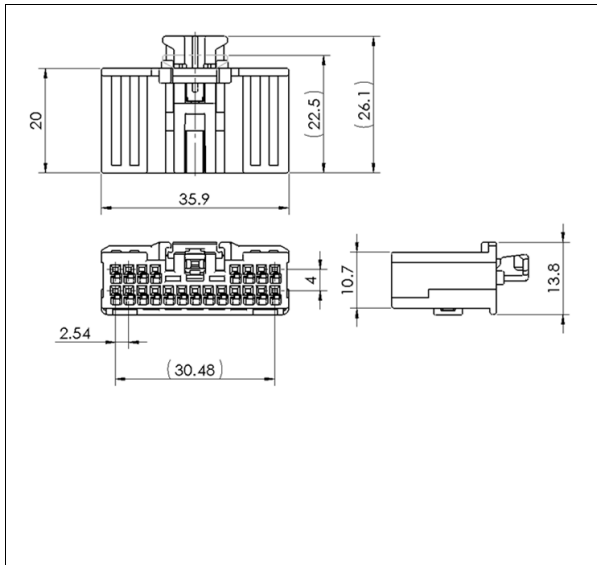




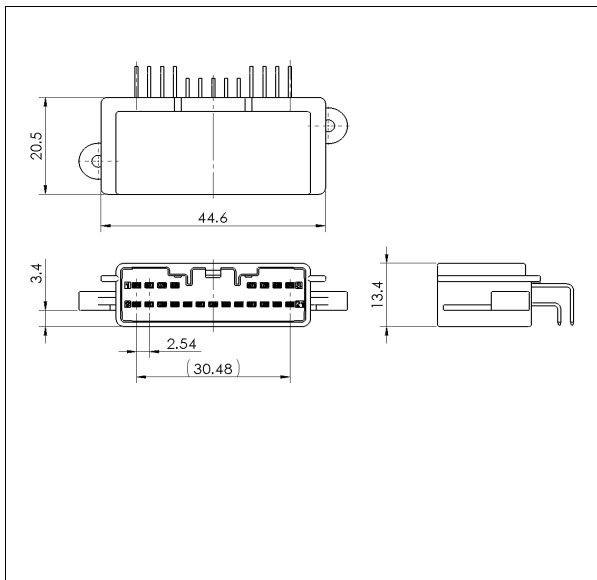
## Female terminal



## Female connector



## Male connector



Model No.	Applicable wire range		Q'ty/reel
	Conductor (mm <sup>2</sup> )	Insulation O.D. (mm)	
<b>SAIT-A03T-M064</b>	0.3 to 0.5	≤1.9	6,500
<b>SAIT-A02T-M064</b>	0.75	≤1.9	6,500

### Material and Finish

Copper alloy, tin-plated (reflow treatment)

Circuits	Model No.	Key Code	Housing Color	TPA Color	Q'ty/box
21	<b>ATLFPB-21-2GS</b>	G	White	Black	1,000
	<b>ATLFPB-21-2HK</b>	H	Black	Natural	1,000
	<b>ATLFPB-21-2JH</b>	J	Grey	Black	1,000
	<b>ATLFPB-21-2KE</b>	K	Blue	Natural	1,000
	<b>ATLFPB-21-2LM</b>	L	Green	Natural	1,000
	<b>ATLFPB-21-2MPK</b>	M	Pink	Black	1,000
	<b>ATLFPB-21-2NP</b>	N	Purple	Natural	1,000
	<b>ATLFPB-21-2PN</b>	P	Brown	Natural	1,000
<b>ATLFPB-21-2RD</b>	R	Orange	Black	1,000	

### Material and Finish

Housing: PBT  
 TPA: Glass-filled PBT  
 CPA: Glass-filled PBT, Red

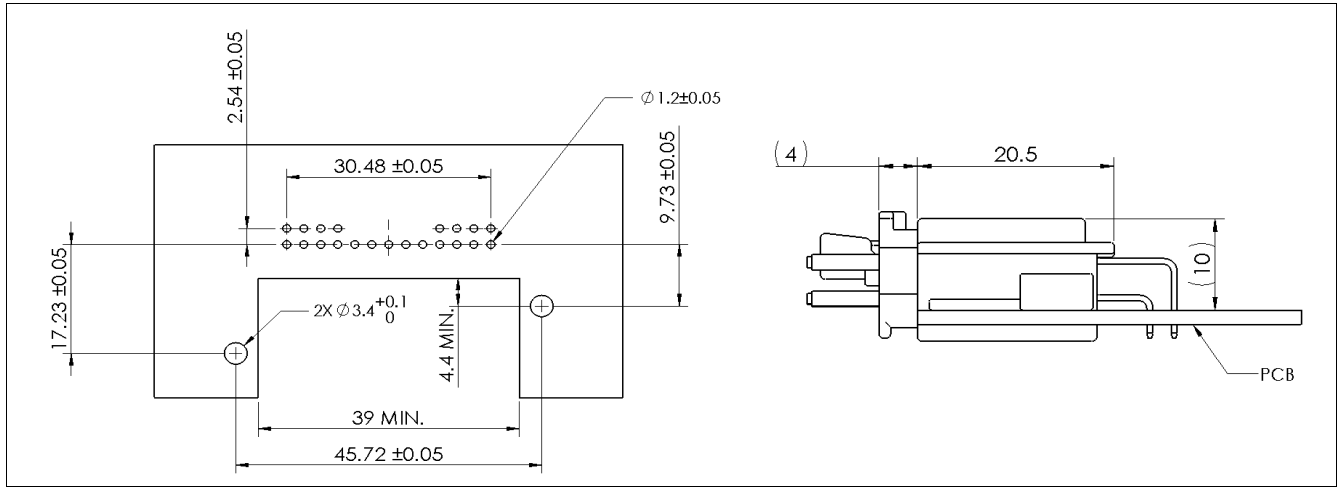
Circuits	Model No.	Key Code	Housing Color	Q'ty/box
21	<b>S21B-ATLF-2GS</b>	G	White	700
	<b>S21B-ATLF-2HK</b>	H	Black	700
	<b>S21B-ATLF-2JH</b>	J	Grey	700
	<b>S21B-ATLF-2KE</b>	K	Blue	700
	<b>S21B-ATLF-2LM</b>	L	Green	700
	<b>S21B-ATLF-2MPK</b>	M	Pink	700
	<b>S21B-ATLF-2NP</b>	N	Purple	700
	<b>S21B-ATLF-2PN</b>	P	Brown	700
<b>S21B-ATLF-2RD</b>	R	Orange	700	

### Material and Finish

Housing: Glass-filled PBT  
 Pin: Brass, tin-plated

# ATLF CONNECTOR

## PC Board layout, Assembly layout



## Crimping machine, Applicator

Strip terminal	Crimping machine	Crimp applicator MKS-L	
		Dies	Crimp applicator with dies
<b>SAIT-A03T-M064</b>	AP-K2N	MK/SAIT-A03-064	APLMK SAIT-A03-064
<b>SAIT-A02T-M064</b>		MK/SAIT-A02-064	APLMK SAIT-A02-064

Note: When crimping operation is conducted using an applicator and die set other than the above, JST cannot guarantee the performance of the terminal.