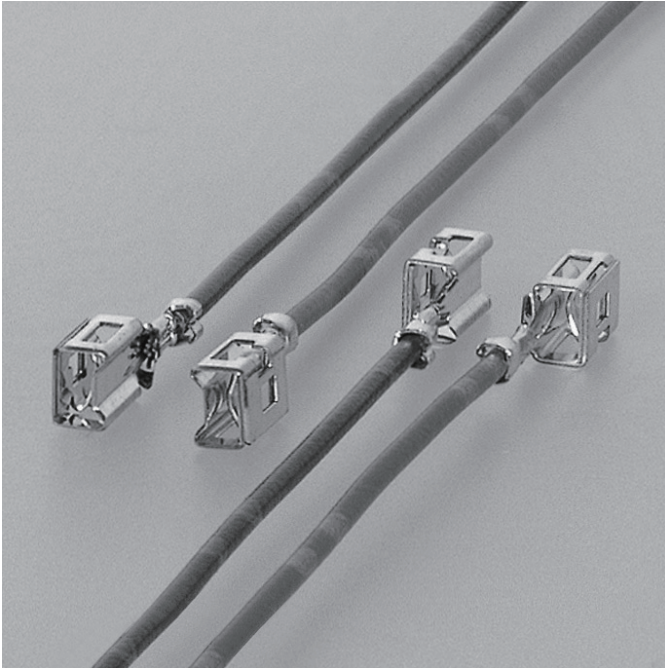
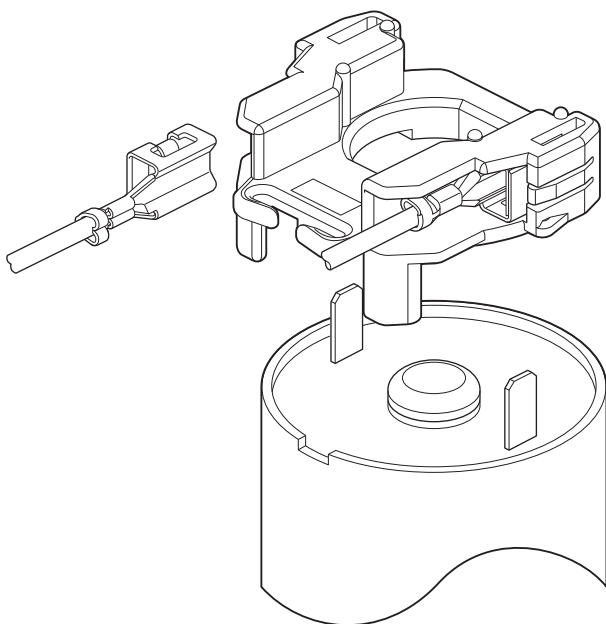


# BICCONNECTOR

## Connector for motor



This is a connector for motor connection developed for the electric door mirror unit for automotive.



### ■ Features

#### ● Compact, low profile design

Side mating type, and the motor terminal to be able to mate from both sides.

This connector achieves miniaturization and low profile.

#### ● Heat resisting creep

An excellent material in the high temperature heat creep characteristic is adopted in consideration of heat from motor.

#### ● Terminal construction

It is designed to prevent the deformation of the contact area when processing wire harness by protecting the contact area of each terminal with a box.

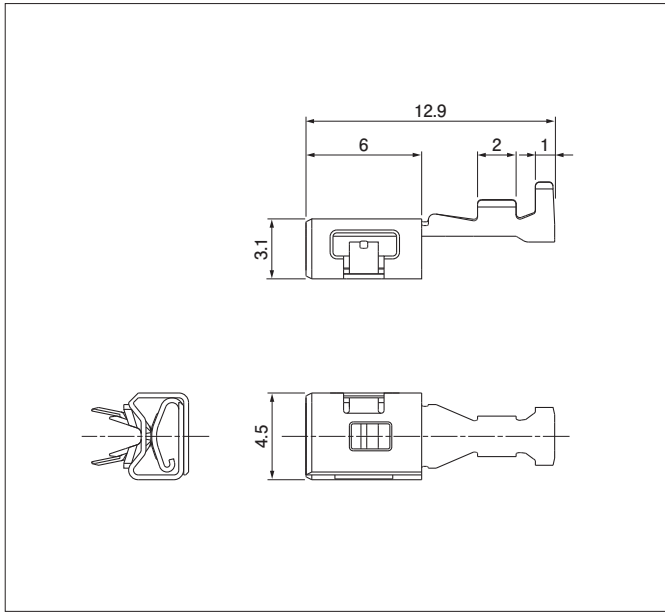
### ■ Specifications

- Current rating: 3A AC, DC (Single circuit)
- Voltage rating: 16V AC, DC
- Temperature range: -40°C to +80°C  
(including temperature rise in applying electrical current)
- Contact resistance: Initial value/8mΩ max.  
After environmental testing/16mΩ max.
- Insulation resistance: 100MΩ min.
- Withstanding voltage: 1,000V AC/minute
- Applicable wire: AVSS  
0.3mm<sup>2</sup>

\* Compliant with ELV/RoHS.

\* Contact JST for details.

## Contact

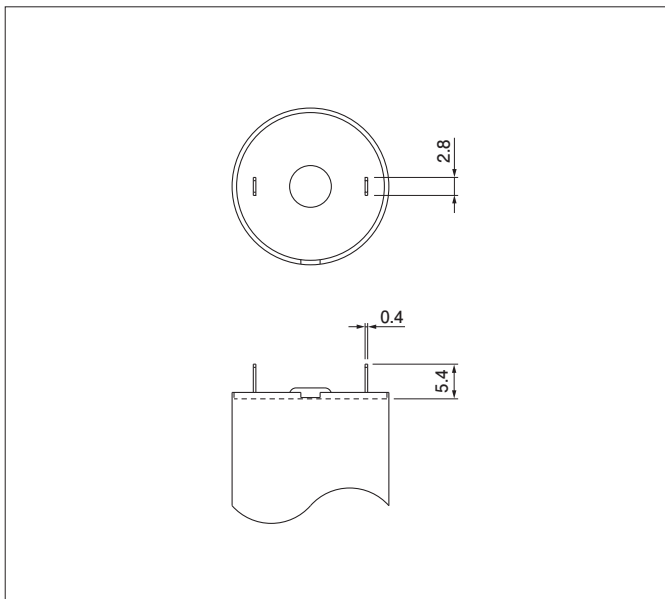


Model No.	Applicable wire range		Q'ty/reel
	Conductor (mm <sup>2</sup> )	Insulation O.D. (mm)	
SBIC-01T-P2.8	0.3	1.4	1,500

### Material and Finish

Copper alloy, tin-plated (reflow treatment)

## Motor terminal size



Note: The mating motor terminal size of this connector is shown above.  
The dimensions above should serve as guideline. Contact JST for details.

## Crimping machine, Applicator

Contact	Crimping machine	Crimp applicator MKS-L	
		Dies	Crimp applicator with dies
SBIC-01T-P2.8	AP-K2N	MK/SBIC-01-28	APLMK SBIC01-28

Note: When crimping operation is conducted using an applicator and die set other than the above, JST cannot guarantee the performance of the terminal.