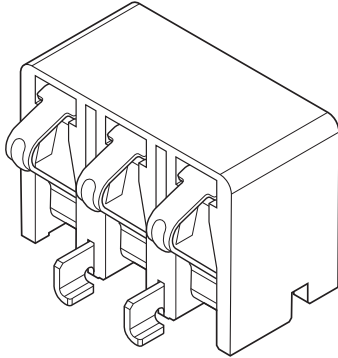


# BTT CONNECTOR CM Type

Connector for battery



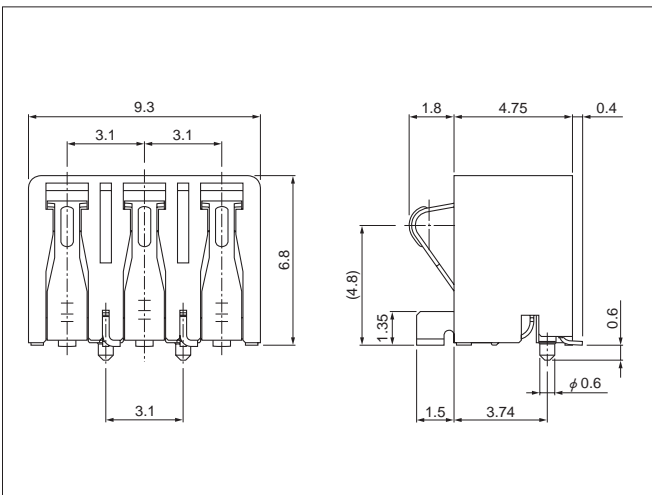
Connector for batteries used in the compact mobile equipment such as mobile router. It is the high durability which number of durability is 10,000 cycles.

- Connector for 3-circuit battery
- High durability
- Long stroke

## Specifications

- Current rating: 2 A AC, DC
  - Voltage rating: 20 V AC, DC
  - Temperature range: -25°C to +85°C  
(including temperature rise in applying electrical current)
  - Contact resistance: Initial value/ 40 mΩ max.  
After environmental tests/ 80 mΩ max.
  - Insulation resistance: 1,000 MΩ min.
  - Withstanding voltage: Initial value/ 500 VAC/minute  
After humidity test/ 300 VAC/minute
- \* Refer to "General Instruction and Notice when using Terminals and Connectors" at the end of this catalog.  
\* Contact JST for details.  
\* Compliant with RoHS.

## Connector



Circuits	Model No.	Q'ty/reel
3	<b>BTT-CM3S-00-TF</b>	800

### Material and Finish

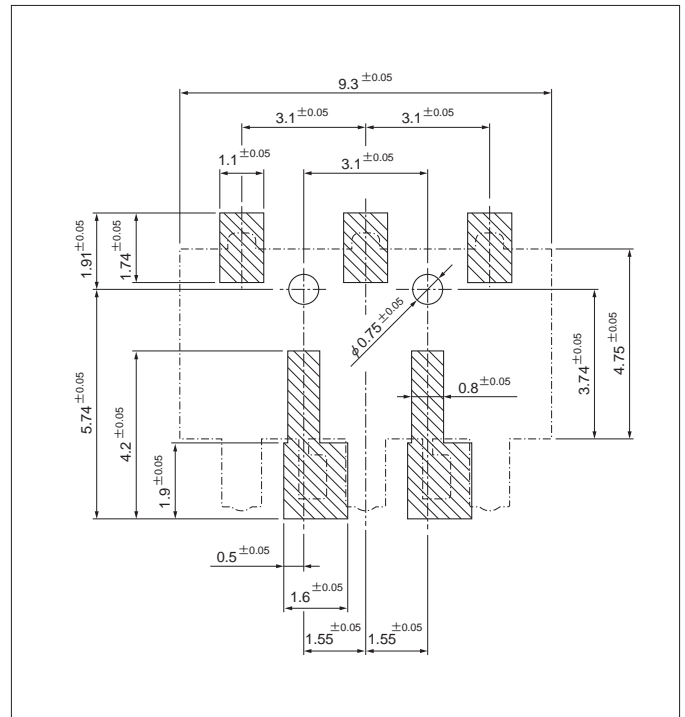
Contact: Copper alloy, Overall nickel-undercoated,  
Mating part; nickel-palladium gold-plated  
Solder tail; gold-plated

Housing: PA 9T, UL94V-0, black  
Reinforcement: Copper alloy, copper-undercoated, tin-plated (reflow treatment)

### RoHS compliance

The product listed above is supplied on embossed-tape.

## PC board layout



Note: 1. The above figure is the figure viewed from the connector mounting side.  
2. Tolerances are non-cumulative: ±0.05 mm for all centers.  
The dimensions above should serve as a guideline. Contact JST for details.