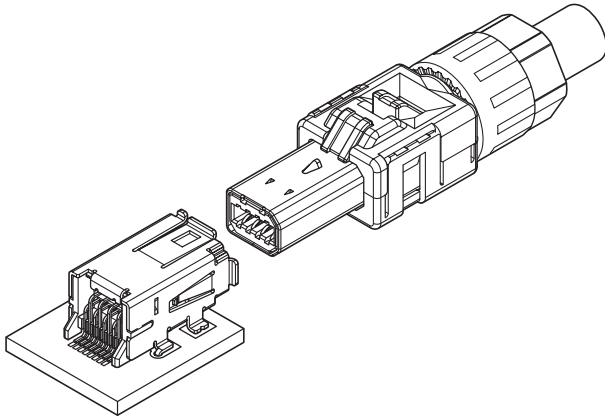


CIF CONNECTOR

1.27mm pitch/For Interface



This connector is an interface connector with shielding where equipped the function to locking.

• **Header: SMT/Dipping type Small Header**

• **Plug**

Cable type: No need of dedicated tool, Easy assembling method

Bypass connecting: Simplified plug with bypass circuit

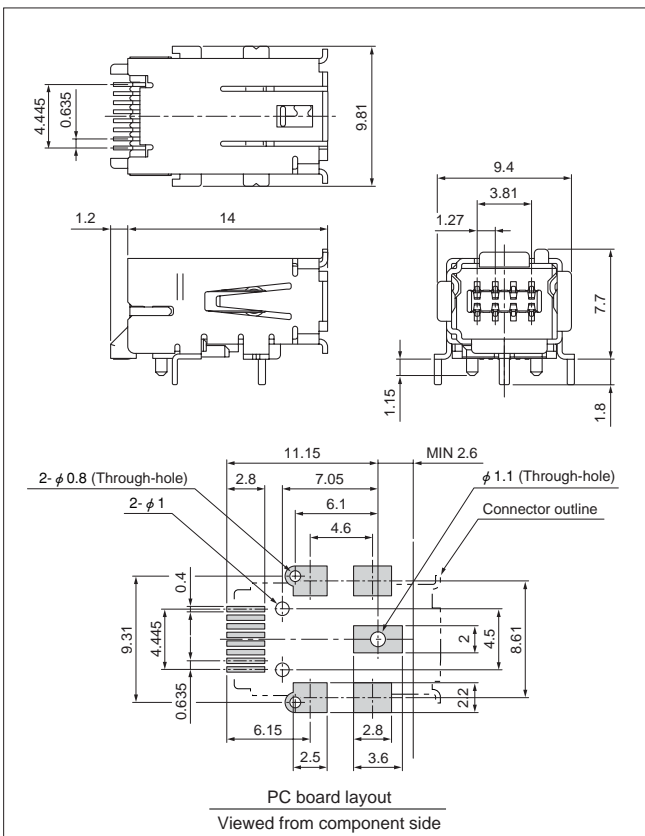
• **Keying: Corresponding to the mis-insertion prevention.**

Provide the 2 types keying.

Specifications

- Current rating: 0.5 A AC, DC
 - Voltage rating: 30 V AC, DC
 - Temperature range: -40°C to +70°C
(including temperature rise in applying electrical current)
 - Contact resistance: Cable type
Initial value/ 40 mΩ max.
After environmental tests/ 50 mΩ max.
 - Insulation resistance: Initial/ 500 MΩ min.
 - Withstanding voltage: Initial/ 250 VAC/minute
 - Applicable wire: AWG #30 to #24
Conductor insulation O.D./1.27 mm max.
Cable O.D./6.0 mm (Reference value)
 - Applicable PC board thickness: 1.6 mm
- * Refer to "General Instruction and Notice when using Terminals and Connectors" at the end of this catalog.
* Contact JST for details.
* Compliant with RoHS.

Header



Circuits	Keying	Model No.	Q'ty/reel
8	Type-1	CIF-HS08SK-071-TB	440
	Type-2	CIF-HS08SS-072-TB	440

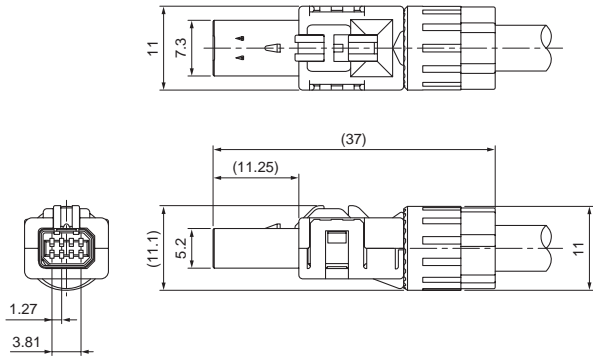
Material and Finish

Contact: Copper alloy, nickel-undercoated, selective gold-plated
Housing: Thermoplastic resin, UL94V-0, black (Type-1), natural/white (Type-2)
Metal shell: Copper alloy, nickel-undercoated, tin-plated

RoHS compliance This product displays (LF) on a label.

Plug (Cable type)

Assembly layout (Reference)



Circuits	Keying	Model No.	Q'ty/box
8	Type-1	CIF-PCNS08KK-071R	24
	Type-2	CIF-PCNS08KK-072R	24

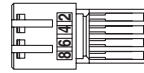
Material and Finish

Contact: Copper alloy, nickel-undercoated, selective gold-plated
 Housing: Thermoplastic resin, UL94V-0, black
 Housing cover: Thermoplastic resin, UL94V-0, black
 Top shell/Bottom shell: Copper alloy, nickel-plated
 Top cover/Bottom cover: Thermoplastic resin, UL94V-0, black
 Clamp nut: Thermoplastic resin, UL94V-0, black
 Lever for releasing lock: Thermoplastic resin, UL94V-0, black

RoHS compliance

KIT Parts

Housing Ass'y



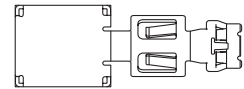
Top shell



Housing cover
(2 pcs.)



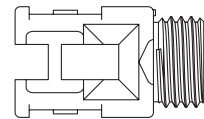
Bottom shell



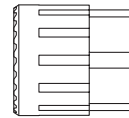
Lever for releasing lock



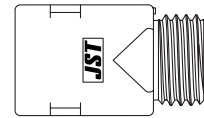
Top cover



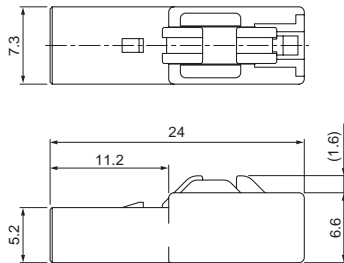
Clamp nut



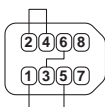
Bottom cover



Plug (Bypass type)



Bypass circuit



Short-circuit

Circuit No.1-5
Circuit No.2-4
Circuit No.3-6

Circuits	Keying	Model No.	Q'ty/box
8	Type-1	CIF-PB08AK-GF1R	630

Material and Finish

Contact: Copper alloy, nickel-undercoated, selective gold-plated
 Housing: Thermoplastic resin, UL94V-0, black
 Lever for releasing lock: Thermoplastic resin, UL94V-0, black

RoHS compliance