



D SUBMINIATURE JH SERIES

Right angle through-hole plug and socket

RIGHT ANGLE THROUGH-HOLE PLUG AND SOCKET



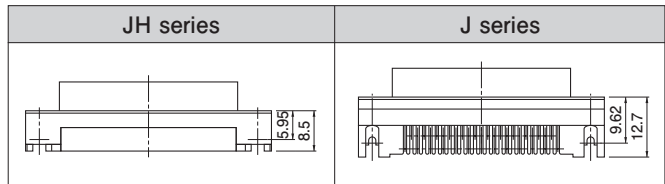
Right angle through-hole plug (with hexagonal lock screw blocks)



Right angle through-hole socket (without lock screw blocks, but with grounding adapters having a No.4-40UNC inch thread)

Features

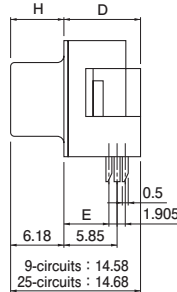
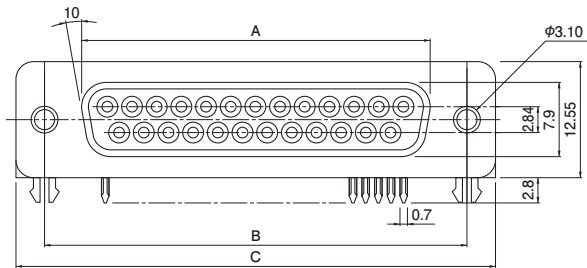
- The depth is trimmed to 8.5 mm, reducing the surface mounting area by 33% compared with our J series subminiature connectors.
- The weight of the JH series is 10% lighter than our J series.
- EJH series D subminiature connectors with noise filters are available.



Right angle through-hole plug		Type A						
<p>H: Height of the lock screw block (for Types A, B & J)</p>		<p>With hexagonal lock screw blocks (H: 6.3 mm) having a No.4-40UNC inch thread</p>						
<p>9-circuits : 5.95 25-circuits : 5.84</p>		<p>9-circuits : 14.35 25-circuits : 14.34</p>						
Circuits	Model No.		Dimensions (mm)					Q'ty/box
	Gold-plated (flash) plug	Gold-plated 0.76 micron	A	B	C	D	E	
9	JHEY-9P-1A**	JHEY-9P-1A**14	16.90	24.99	30.8	8.4	4.9	100
25	JHBY-25P-1A**	JHBY-25P-1A**14	38.97	47.04	53.0	8.5	5.0	40
<p>RoHS2 compliance This product displays (LF)(SN) on a label. Note: ** shows the location where a two-digit code (see the table below for codes) should be entered. For example, if a gold-plated (flash) receptacle with hexagonal lock screw blocks having a No. 4-40UNC inch thread and with grounding adapters having a spring lock device is required, specify the model number as JHEY-9P-1A3A.</p>								
<p>With grounding adapters with a spring lock device</p>				<p>3A</p>				

D SUBMINIATURE CONNECTOR JH SERIES

Right angle through-hole socket



H: Height of the lock screw block (for Types A, B & J)

Circuits	Model No.		Dimensions (mm)					Q'ty/ box
	Gold-plated (flash) socket	Gold-plated [0.76 micron] socket	A	B	C	D	E	
9	JHEY-9S-1A**	JHEY-9S-1A**14	16.34	24.99	30.8	8.4	4.9	100
25	JHBY-25S-1A**	JHBY-25S-1A**14	38.38	47.04	53.0	8.5	5.0	40

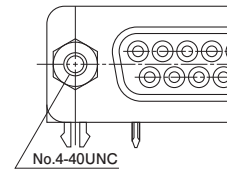
RoHS2 compliance This product displays (LF)(SN) on a label.

Note: ** shows the location where a two-digit code (see the table below for codes) should be entered. For example, if a 9-circuit gold-plated (flash) socket with hexagonal lock screw blocks having a No. 4-40UNC inch thread and with grounding adapters having a spring lock device is required, specify the model number as JHEY-9S-1A3A.

Type A



With hexagonal lock screw blocks (H: 6.3 mm) having a No.4-40UNC inch thread

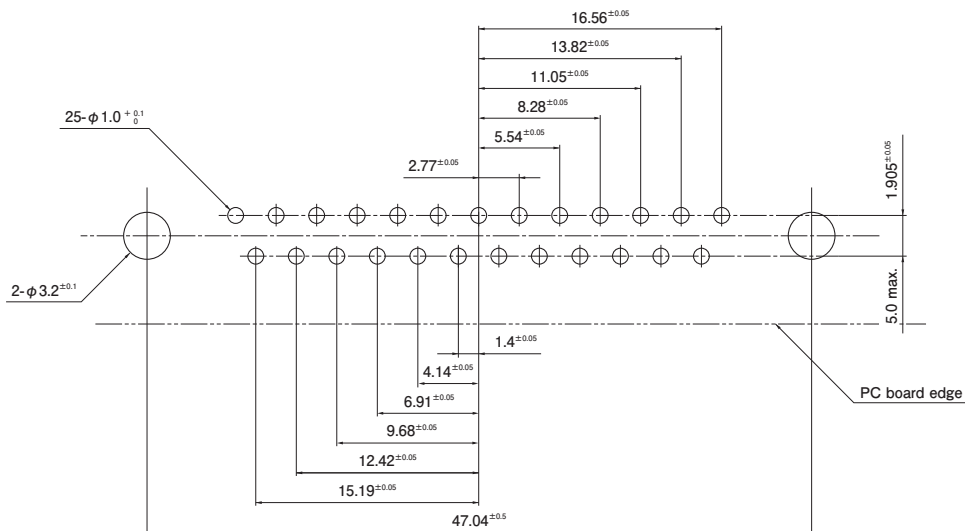


With grounding adapters with a spring lock device








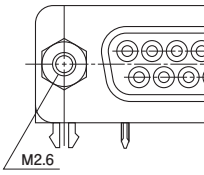
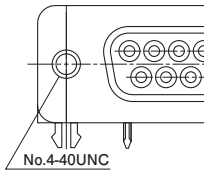
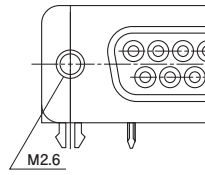
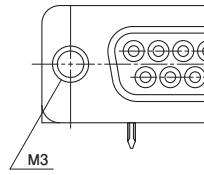
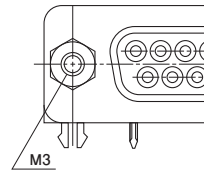
3A

PC board layout (viewed from component side)

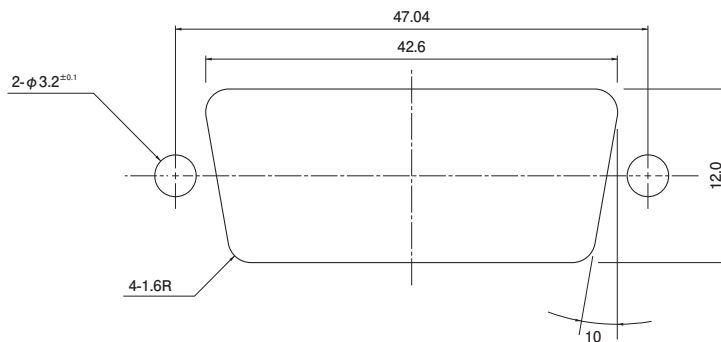


- Note: 1. Tolerances are non-cumulative: ± 0.05 mm for all centers.
 2. Hole dimensions differ according to the type of PC board and piercing method. The dimensions above should serve as a guideline. Contact JST for details.

D SUBMINIATURE CONNECTOR JH SERIES

Type B	Type F	Type G	Type H	Type J
				
With hexagonal lock screw blocks (H: 6.3 mm) having an M2.6 thread	Without lock screw blocks F, G, H: Grounding adapters have a thread (*1) for securing separately-purchased lock screw blocks (*2)			With hexagonal lock screw blocks (H: 6.3 mm) having an M3 thread
	*1: No.4-40UNC inch thread *2: Model number HFS-4S-()1W(M) 	*1: M2.6 thread *2: Model number HFS-2.6S-()1W(M) 	*1: M3 thread *2: Model number HFS-3S-()1W(M) 	
3B	3F	3G	3H	3J

Panel layout



Note: The dimensions above should serve as a guideline. Contact JST for details.




D SUBMINIATURE CONNECTOR J·JH·JK&KH SERIES

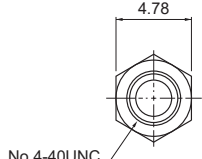
Accessories/Lock screw block

A variety of accessories are available for the D subminiature connectors.

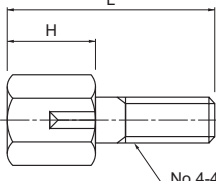
LOCK SCREW BLOCK



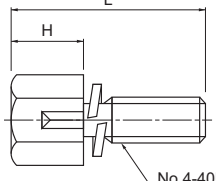
**Hexagonal lock screw block
(inch thread: No.4-40UNC)**



No.4-40UNC



No.4-40UNC




No.4-40UNC

Type A

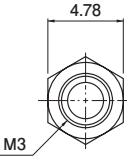
Type B
Hexagonal lock screw & spring washer are integrated

Dimension / Model No.	Applicable series	J series right angle through-hole type	JK series right angle through-hole type	J series straight through-hole type	JH series right angle through-hole type	Dimension H (mm)	Type	Attachment	Q'ty/box
	J series straight through-hole type	JH series right angle through-hole type	KH series right angle through-hole type						
Dimension L (mm)		13.1	15.0	10.0	11.8				
Model No.	JFS-4S-C1N	KFS-4S-C1N	—	—	—	5.5	A	Spring washer .. 1 pc. Nut 1 pc.	2,000
	JFS-4S-B1W	KFS-4S-B1W	SFS-4S-B1W	HFS-4S-B1W	4.8	Spring washer .. 1 pc.			
	JFS-4S-C1W	KFS-4S-C1W	—	—	5.5	B	—		
	JFS-4S-B1WM	KFS-4S-B1WM	SFS-4S-B1WM	HFS-4S-B1WM	4.8				
	JFS-4S-C1WM	KFS-4S-C1WM	—	HFS-4S-C1WM	5.5				

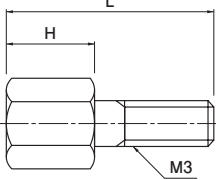
RoHS2 compliance



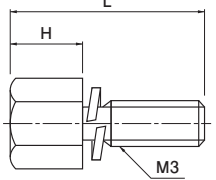
**Hexagonal lock screw block
(metric thread: M3)**



M3



M3



M3


Type A

Type B
Hexagonal lock screw & spring washer are integrated

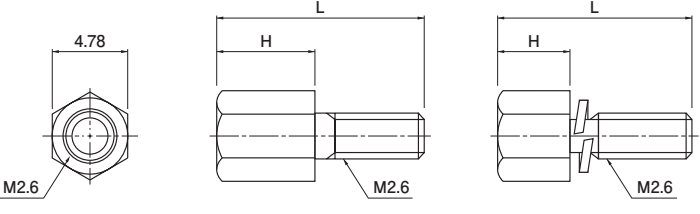
Dimension/ Model No.	Applicable series	JK series right angle through-hole type	J series straight through-hole type	JH series right angle through-hole type	Dimension H (mm)	Type	Attachment	Q'ty/box
	JK series right angle through-hole type	JH series right angle through-hole type	KH series right angle through-hole type					
Dimension L (mm)		15.0	10.0	11.8				
Model No.	—	—	SFS-3S-B1W	—	4.8	A	Spring washer .. 1 pc.	2,000
	—	—	SFS-3S-C1W	HFS-3S-C1W	5.5			
	—	—	—	—	4.8	B	—	
	KFS-3S-C1WM	—	—	—	5.5			

RoHS2 compliance

D SUBMINIATURE CONNECTOR J·JH·JK&KH SERIES




**Hexagonal lock screw block
(metric thread: M2.6)**



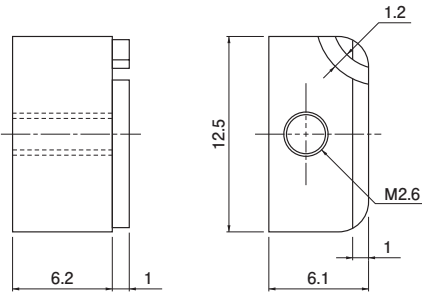
Type A **Type B**
Hexagonal lock screw & spring washer are integrated

Applicable series	J series right angle through-hole type JK series straight through-hole type	JK series right angle through-hole type	J series straight through-hole type	JH series right angle through-hole type KH series right angle through-hole type	Dimension H (mm)	Type	Attachment	Q'ty/box
Dimension L (mm)	13.1	15.0	10.0	11.8				
Model No.	JFS-2.6S-C1N	—	—	—	5.5	A	Spring washer .. 1 pc. Nut 1 pc.	2,000
	JFS-2.6S-B1W	KFS-2.6S-B1W	SFS-2.6S-B1W	—	4.8		Spring washer .. 1 pc.	
	JFS-2.6S-B1WM	—	SFS-2.6S-B1WM	HFS-2.6S-B1WM	4.8	B	—	
	JFS-2.6S-C1WM	—	SFS-2.6S-C1WM	—	5.5			

RoHS2 compliance



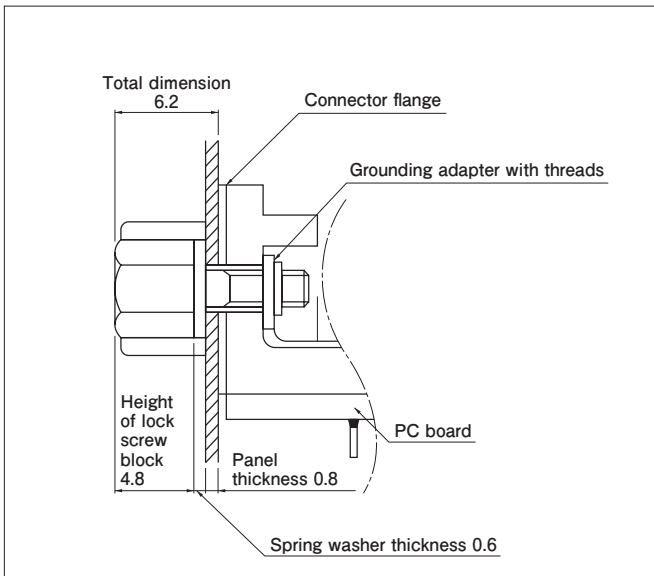
**Rectangular lock screw block
(metric thread: M2.6)**



Model No.	Attachment	Q'ty/box
JFS-2.6R-N	Spring washer 1 pc. Set screw 1 pc.	1,000

RoHS2 compliance

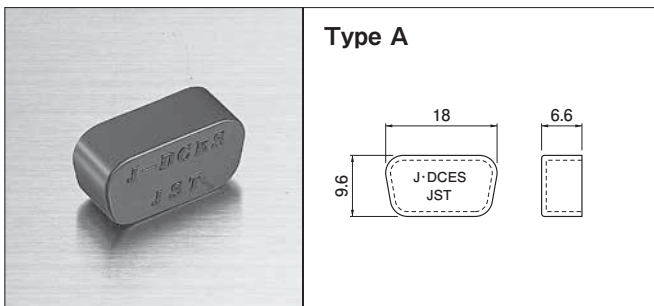
D SUBMINIATURE CONNECTOR J·JH·JK&KH SERIES



Application examples of hexagonal lock screw blocks

- The resulting total dimension from the connector flange to the top of the hexagonal lock screw block must be 6.2 mm after assembly.
- The D subminiature connector can be installed on the Panel by simply tightening the hexagonal lock screw block together with grounding adapter, which has an identical thread to that of the F, G, and H types.

DUST COVER (for receptacles)



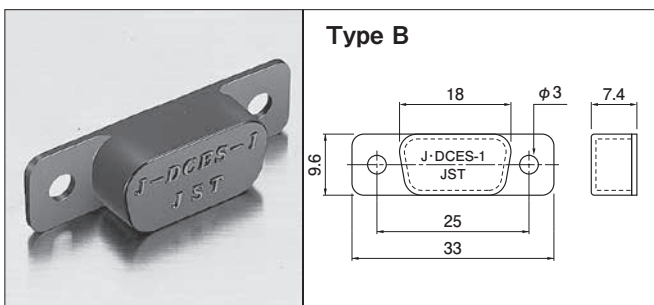
Type A

Type	Circuits		Model No.	Q'ty/box
	J series	JK series		
A	9	15	J-DCES	1,000
B			J-DCES-1	

Material

PA, UL94V-0, black

RoHS2 compliance



Type B

EXTRACTION TOOL



With this tool, contacts (connected to wires by crimping) can be easily removed if they are improperly inserted into plug and receptacle housings.

Applicable Connector		Model No.
J series		DEJ-0.3
JK series	Plug	KEJ-0.7
	Receptacle	KEJ-0.4