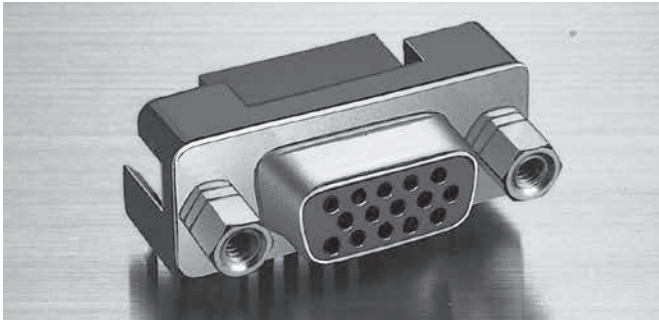




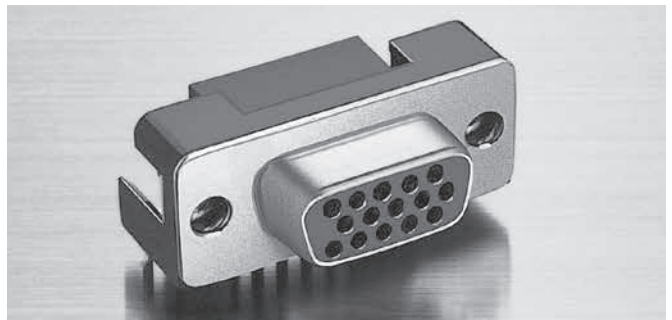
# D SUBMINIATURE CONNECTOR KH SERIES

Right angle through-hole socket

## RIGHT ANGLE THROUGH-HOLE SOCKET



(with hexagonal lock screw blocks)



(without lock screw blocks, but with grounding adapters having a No.4-40UNC inch thread)

## Features

- The depth is trimmed to 13.0 mm, reducing the surface mounting area by 20% compared with our JK series subminiature connectors.
- \* RoHS2 compliance
- \* Please refer to the "Handling Precautions for Terminals and Connectors" on our website (listed in the "Technical Documents" column on the Product Information page) before use.
- \* Contact JST for details.

KH series	JK series

## Standards

- Recognized E60389
- Certified LR20812

Right angle through-hole socket			Type A										
<p>H: Height of the lock screw block (for Types A, B &amp; J)</p> <table border="1"> <thead> <tr> <th rowspan="2">No. of circuits</th> <th colspan="2">Model No.</th> <th rowspan="2">Q'ty/box</th> </tr> <tr> <th>Gold-plated (flash) receptacle</th> <th>Gold-plated (0.76 micron) receptacle</th> </tr> </thead> <tbody> <tr> <td>15</td> <td>KHEY-15S-1A**</td> <td>KHEY-15S-1A**14</td> <td>100</td> </tr> </tbody> </table> <p>RoHS2 compliance This product displays (LF)(SN) A on a label.            Note: ** shows the location where a two-digit code (see the table below for codes) should be entered. For example, if a 15-circuit gold-plated (flash) socket with hexagonal lock screw blocks having a No.4-40UNC inch thread and with grounding adapters having a spring lock device is required, specify the model number as KHEY-15S-1A3A.</p>		No. of circuits	Model No.		Q'ty/box	Gold-plated (flash) receptacle	Gold-plated (0.76 micron) receptacle	15	KHEY-15S-1A**	KHEY-15S-1A**14	100	<p>With hexagonal lock screw blocks (H:6.3 mm) having a No.4-40UNC inch thread</p>	
No. of circuits	Model No.		Q'ty/box										
	Gold-plated (flash) receptacle	Gold-plated (0.76 micron) receptacle											
15	KHEY-15S-1A**	KHEY-15S-1A**14	100										
<p>With grounding adapters with a spring lock device</p>		<p>3A</p>											

# D SUBMINIATURE CONNECTOR KH SERIES

## Specifications

### Materials

Part name	Material and Surface finish, etc.
Contact	Phosphor bronze, nickel-undercoated, Mating part: gold-plated Solder tail: tin-plated (reflow treatment)
Insulator	Glass-filled PBT, UL94-0, black
Shell	Steel, copper-undercoated, nickel-plated
Grounding adapter with spring lock device	Brass, nickel-undercoated, tin/copper alloy-plated

### Characteristics

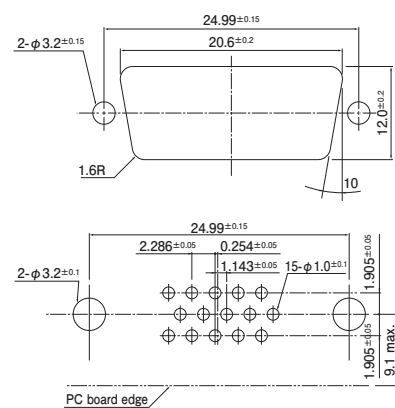
Current rating	1.0 A AC/DC
Voltage rating	250 V AC/DC
Temperature range	-40°C to +85°C (including temperature rise in applying electrical current)
Contact resistance	Initial value/ 15 mΩ max. After environmental tests/ 30 mΩ max.
Insulation resistance	5,000 MΩ min.
Withstanding voltage	1,000 VAC/minute
Applicable PC board thickness	1.6 mm

\*Contact JST for details.

### Model number identification

	K H E	Y	-	15	S	-	1A	3	A	14
• Series name										
• Shell size: E										
• Wire connection type: Y ... Right angle through-hole type										
• Number of circuits: 15										
• Connector type: S ... Socket										
• Connector construction/dimensions: Standard KH series right angle through-hole type										
• Types of grounding adapter: 3 ... With grounding adapters having a spring lock device										
• Type of lock screw block: A ... With hexagonal lock screw blocks having a No. 4-40UNC inch thread B ... With hexagonal lock screw blocks having an M2.6 thread F ... Without lock screw blocks, but with grounding adapters having a No. 4-40UNC inch thread G ... Without lock screw blocks, but with grounding adapters having an M2.6 thread H ... Without lock screw blocks, but with grounding adapters having an M3 thread J ... With hexagonal lock screw blocks having an M3 thread										
• Surface finish of mating part Blank ... Gold-plated (flash) 14 ... 0.76 micron gold-plated										

### PC board layout (viewed from component side) and Panel layout



Note: 1. Tolerances are non-cumulative:  $\pm 0.05$  mm for all centers.  
2. Hole dimensions differ according to the type of PC board and piercing method.  
The dimensions above should serve as a guideline. Contact JST for details.

Type B	Type D	Type F	Type G	Type H
With hexagonal lock screw blocks (H:6.3 mm) having an M2.6 thread	Without lock screw blocks F, G, H: Grounding adapters have a thread (*1) for securing separately-purchased lock screw blocks (*2)			With hexagonal lock screw blocks (H:6.3 mm) having an M3 thread
	*1: No.4-40UNC inch thread *2: Model number HFS-4S-( )1W(M)	*1: M2.6 thread *2: Model number HFS-2.6S-( )1W(M)	*1: M3 thread *2: Model number HFS-3S-( )1W(M)	
<b>3B</b>	<b>3F</b>	<b>3G</b>	<b>3H</b>	<b>3J</b>




# D SUBMINIATURE CONNECTOR J·JH·JK&KH SERIES

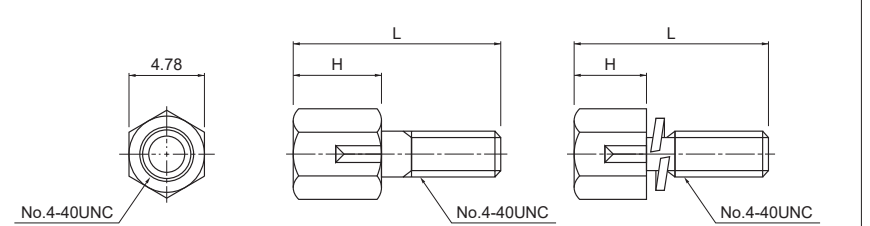
## Accessories/Lock screw block

A variety of accessories are available for the D subminiature connectors.

### LOCK SCREW BLOCK



**Hexagonal lock screw block  
(inch thread: No.4-40UNC)**




**Type A**                      **Type B**

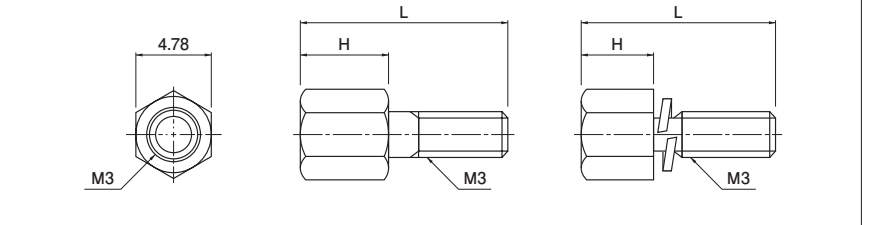
Hexagonal lock screw &  
spring washer are integrated

Dimension / Model No.	Applicable series	J series right angle through-hole type	JK series right angle through-hole type	J series straight through-hole type	JH series right angle through-hole type KH series right angle through-hole type	Dimensions H (mm)	Type	Attachment	Q'ty/box
	JK series right angle through-hole type	J series straight through-hole type	JH series right angle through-hole type	KH series right angle through-hole type					
Dimension L (mm)		13.1	15.0	10.0	11.8				
Model No.	JFS-4S-C1N	KFS-4S-C1N	—	—	—	5.5	A	Spring washer .. 1 pc. Nut ..... 1 pc.	2,000
	JFS-4S-B1W	KFS-4S-B1W	SFS-4S-B1W	HFS-4S-B1W	4.8	Spring washer .. 1 pc.			
	JFS-4S-C1W	KFS-4S-C1W	—	—	5.5	B	—		
	JFS-4S-B1WM	KFS-4S-B1WM	SFS-4S-B1WM	HFS-4S-B1WM	4.8				
	JFS-4S-C1WM	KFS-4S-C1WM	—	HFS-4S-C1WM	5.5				

RoHS2 compliance



**Hexagonal lock screw block  
(metric thread: M3)**



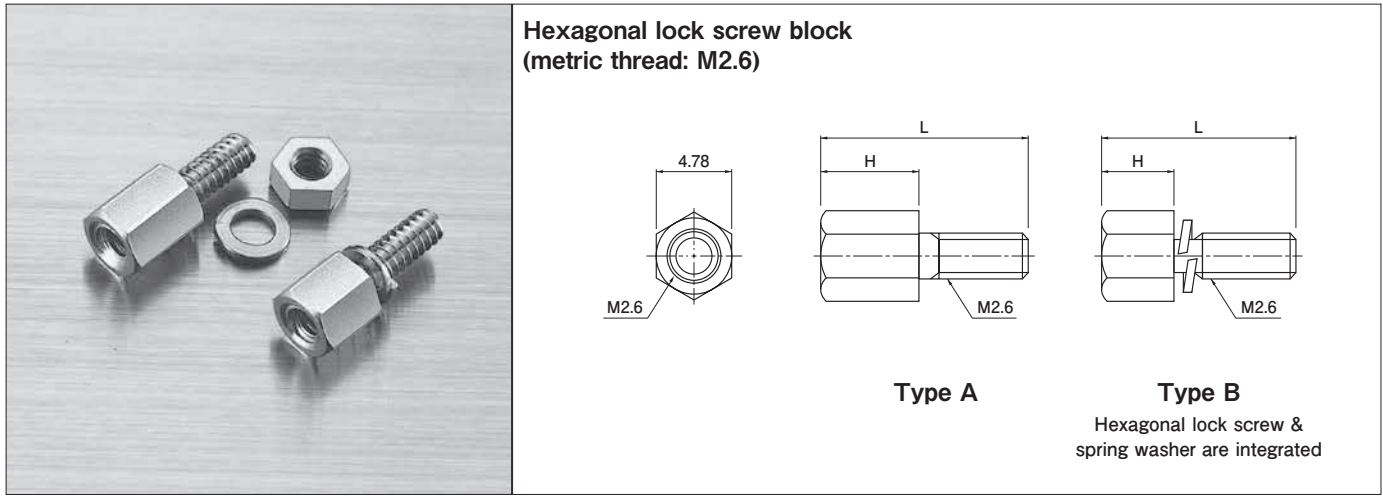
**Type A**                      **Type B**

Hexagonal lock screw &  
spring washer are integrated

Dimension / Model No.	Applicable series	JK series right angle through-hole type	J series straight through-hole type	JH series right angle through-hole type KH series right angle through-hole type	Dimensions H (mm)	Type	Attachment	Q'ty/box
	JK series right angle through-hole type	J series straight through-hole type	JH series right angle through-hole type	KH series right angle through-hole type				
Dimension L (mm)		15.0	10.0	11.8				
Model No.	—	—	SFS-3S-B1W	—	4.8	A	Spring washer .. 1 pc.	2,000
	—	—	SFS-3S-C1W	HFS-3S-C1W	5.5			
	—	—	—	—	4.8	B	—	
	KFS-3S-C1WM	—	—	—	5.5			

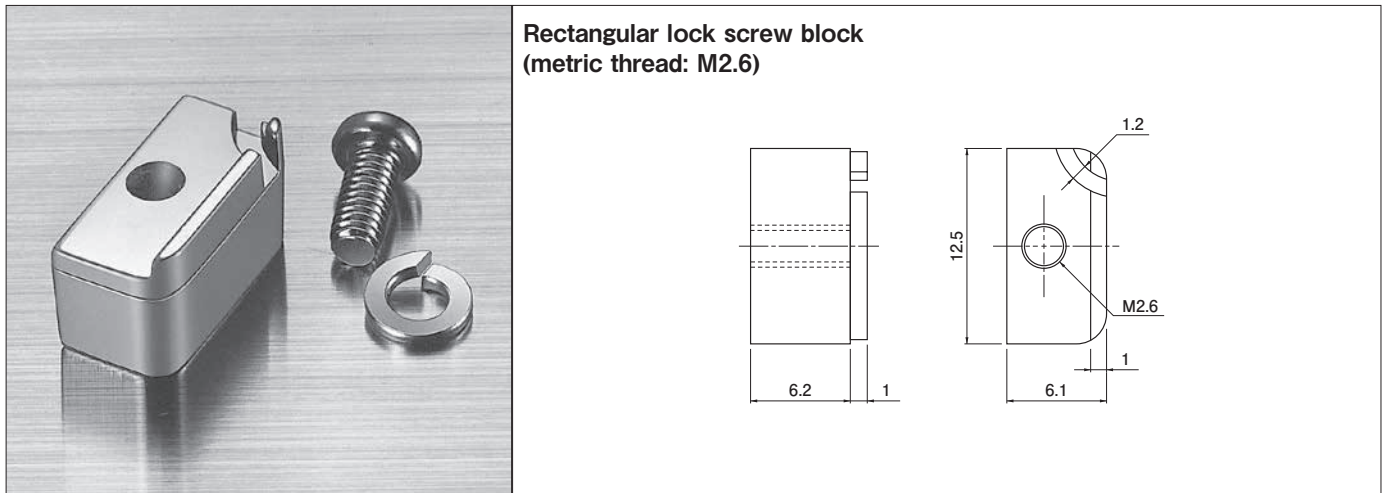
RoHS2 compliance

# D SUBMINIATURE CONNECTOR J·JH·JK&KH SERIES



Applicable series	J series right angle through-hole type JK series straight through-hole type	JK series right angle through-hole type	J series straight through-hole type	Dimensions H (mm)	Type	Attachment	Q'ty/box
Dimension/Model No.	Dimension L (mm)	13.1	15.0				
Model No.	JFS-2.6S-C1N	—	—	5.5	A	Spring washer .. 1 pc. Nut ..... 1 pc.	2,000
	JFS-2.6S-B1W	KFS-2.6S-B1W	SFS-2.6S-B1W	4.8		Spring washer .. 1 pc.	
	JFS-2.6S-B1WM	—	SFS-2.6S-B1WM	4.8	B	—	
	JFS-2.6S-C1WM	—	SFS-2.6S-C1WM	5.5			

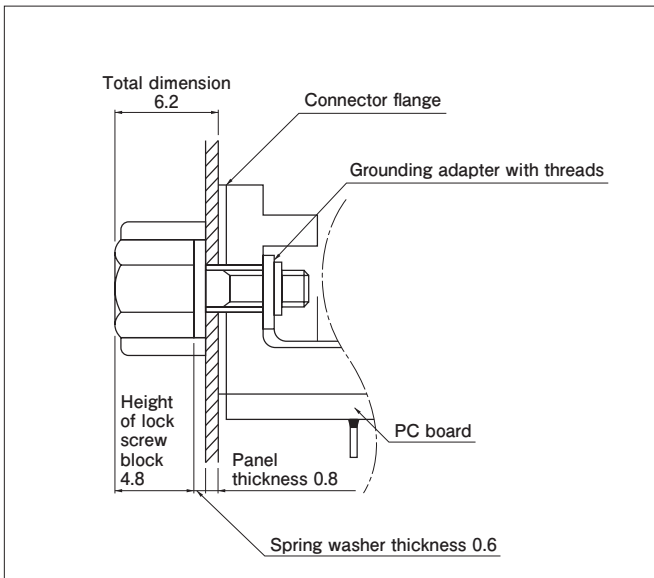
RoHS2 compliance



Model No.	Attachment	Q'ty/box
JFS-2.6R-N	Spring washer ..... 1 pc. Set screw ..... 1 pc.	1,000

RoHS2 compliance

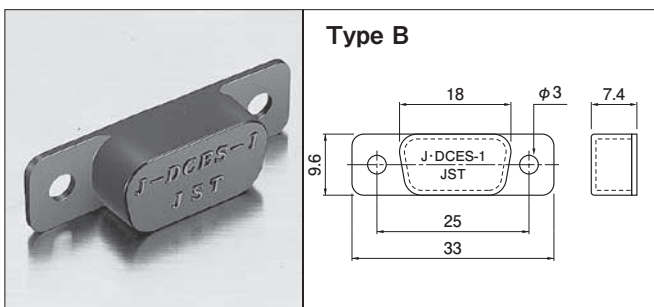
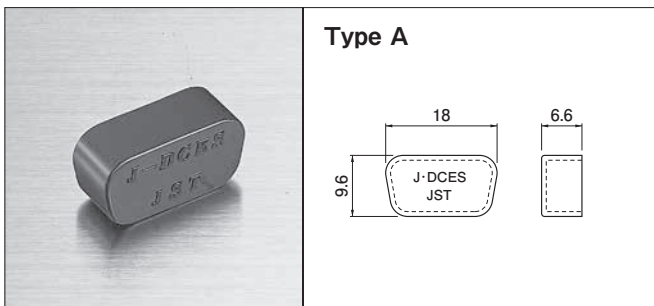
# D SUBMINIATURE CONNECTOR J·JH·JK&KH SERIES



## Application examples of hexagonal lock screw blocks

- The resulting total dimension from the connector flange to the top of the hexagonal lock screw block must be 6.2 mm after assembly.
- The D subminiature connector can be installed on the Panel by simply tightening the hexagonal lock screw block together with grounding adapter, which has an identical thread to that of the F, G, and H types.

## DUST COVER (for receptacles)



Type	No. of circuits		Model No.	Q'ty/box
	J series	JK series		
A	9	15	J-DCES	1,000
B			J-DCES-1	

Material and Surface finish, etc.

PA, UL94V-0, black

RoHS2 compliance

## EXTRACTION TOOL



With this tool, contacts (connected to wires by crimping) can be easily removed if they are improperly inserted into plug and receptacle housings.

Applicable Connector		Model No.
J series		DEJ-0.3
JK series	Plug	KEJ-0.7
	Receptacle	KEJ-0.4