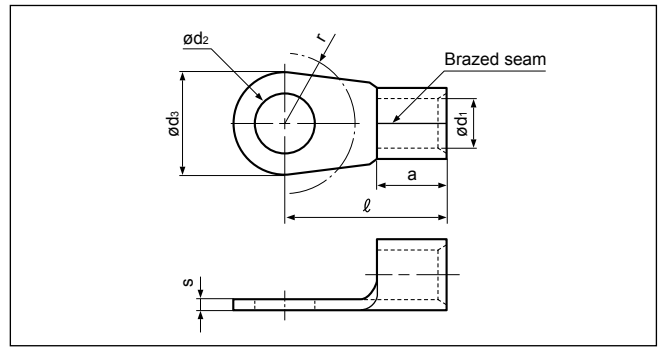
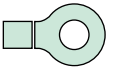
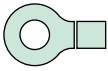


# RING TONGUE *Non-insulated*

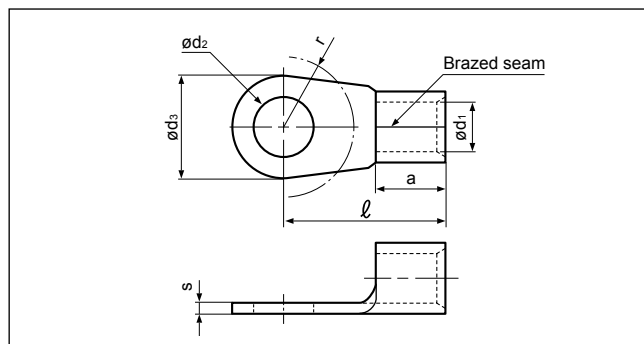
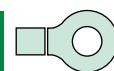


Applicable Wire mm <sup>2</sup>	Stud Size Metric	Part No.	Nominal Size	Dimensions mm (in.)							Tool No.	Qty/box
				$\phi d_2$	$\phi d_3$	r	$\ell$	a	$\phi d_1$	s		
0.1 to <0.5	2	<b>GS2-0.5</b>	2-0.5	2.2 (.087)	5.0 (.197)	5.0 (.197)	9.8 (.386)	4.0 (.157)	1.0 (.039)	0.5 (.020)	WC-0510DIN	2,000
	2.5	<b>GS2.5-0.5</b>	2.5-0.5	2.7 (.106)	5.0 (.197)	5.0 (.197)	9.8 (.386)					
	3	<b>GS3-0.5</b>	3-0.5	3.2 (.126)	5.0 (.197)	5.0 (.197)	9.8 (.386)					
	3.5	<b>GS3.5-0.5</b>	3.5-0.5	3.7 (.146)	6.0 (.236)	5.0 (.197)	12.0 (.472)					
	4	<b>GS4-0.5</b>	4-0.5	4.3 (.169)	6.5 (.256)	6.0 (.236)	11.7 (.461)					
0.5 to 1	5	<b>GS5-0.5</b>		5.3 (.209)	8.0 (.315)	6.5 (.256)	11.0 (.433)	1.6 (.063)	0.8 (.031)	WC-0510DIN	2,000	
	2	<b>GS2-1</b>		2.2 (.087)	6.0 (.236)	4.5 (.177)	11.0 (.433)					
	2.5	<b>GS2.5-1</b>	2.5-1	2.7 (.106)	6.0 (.236)	4.5 (.177)	11.0 (.433)					
	3	<b>GS3-1</b>	3-1	3.2 (.126)	6.0 (.236)	4.5 (.177)	11.0 (.433)					
	3	<b>GS3L-1</b>		3.2 (.126)	6.5 (.256)	3.5 (.138)	8.0 (.315)					
	3.5	<b>GS3.5-1</b>	3.5-1	3.7 (.146)	6.0 (.236)	4.5 (.177)	11.0 (.433)					
	3.5	<b>GS3.5L-1</b>		3.7 (.146)	6.5 (.256)	3.5 (.138)	8.0 (.315)					
	4	<b>GS4S-1</b>		4.3 (.169)	6.5 (.256)	3.5 (.138)	8.0 (.315)					
	4	<b>GS4M-1</b>		4.3 (.169)	7.0 (.276)	5.5 (.217)	11.0 (.433)					
	4	<b>GS4-1</b>	4-1	4.3 (.169)	8.0 (.315)	6.0 (.236)	12.0 (.472)					
	5	<b>GS5S-1</b>		5.3 (.209)	8.0 (.315)	6.0 (.236)	12.0 (.472)					
	5	<b>GS5-1</b>	5-1	5.3 (.209)	10.0 (.394)	6.5 (.256)	13.0 (.512)					
	6	<b>GS6S-1</b>		6.5 (.256)	10.0 (.394)	6.5 (.256)	13.0 (.512)					
6	<b>GS6-1</b>		6.5 (.256)	12.0 (.472)	10.0 (.394)	17.0 (.669)						
8	<b>GS8-1</b>		8.4 (.331)	12.0 (.472)	10.0 (.394)	17.0 (.669)						
>1 to 2.5	3	<b>GS3-2.5</b>	3-2.5	3.2 (.126)	6.0 (.236)	4.5 (.177)	11.0 (.433)	5.0 (.197)	2.3 (.091)	0.8 (.031)	WC-0510DIN	2,000
	3.5	<b>GS3.5-2.5</b>	3.5-2.5	3.7 (.146)	6.0 (.236)	4.5 (.177)	11.0 (.433)					
	3.5	<b>GS3.5L-2.5</b>		3.7 (.146)	6.8 (.268)	4.5 (.177)	11.0 (.433)					
	4	<b>GS4S-2.5</b>		4.3 (.169)	6.8 (.268)	4.5 (.177)	11.0 (.433)					
	4	<b>GS4-2.5</b>	4-2.5	4.3 (.169)	8.0 (.315)	6.0 (.236)	12.0 (.472)					
	5	<b>GS5S-2.5</b>		5.3 (.209)	8.0 (.315)	6.0 (.236)	12.0 (.472)					
	5	<b>GS5-2.5</b>	5-2.5	5.3 (.209)	10.0 (.394)	6.5 (.256)	14.0 (.551)					
	6	<b>GS6S-2.5</b>		6.5 (.256)	10.0 (.394)	6.5 (.256)	14.0 (.551)					
	6	<b>GS6-2.5</b>	6-2.5	6.5 (.256)	11.0 (.433)	7.5 (.295)	16.0 (.630)					
	8	<b>GS8-2.5</b>	8-2.5	8.4 (.331)	14.0 (.551)	10.0 (.394)	17.0 (.669)					
	10	<b>GS10-2.5</b>		10.5 (.413)	18.0 (.709)	12.0 (.472)	20.0 (.787)					
12	<b>GS12-2.5</b>		13.0 (.512)	18.0 (.709)	12.0 (.472)	20.0 (.787)						
16	<b>GS16-2.5</b>		17.0 (.669)	27.0(1.063)	16.0 (.630)	26.0(1.024)						
>2.5 to 6	4	<b>GS4-6</b>	4-6	4.3 (.169)	8.0 (.315)	6.0 (.236)	14.0 (.551)	6.0 (.236)	3.6 (.142)	1.0 (.039)	WC-0510DIN	1,000
	5	<b>GS5-6</b>	5-6	5.3 (.209)	10.0 (.394)	6.5 (.256)	15.0 (.591)					
	6	<b>GS6-6</b>	6-6	6.5 (.256)	11.0 (.433)	7.5 (.295)	16.0 (.630)					
	8	<b>GS8-6</b>	8-6	8.4 (.331)	14.0 (.551)	10.0 (.394)	19.0 (.748)					
	10	<b>GS10-6</b>	10-6	10.5 (.413)	18.0 (.709)	12.0 (.472)	21.0 (.827)					
	12	<b>GS12-6</b>		13.0 (.512)	18.0 (.709)	12.0 (.472)	21.0 (.827)					

Note: 1) Contact J.S.T.(U.K.) Ltd for the above tools.  
 2) Reference: DIN46234 Contact J.S.T. DEUTSCHLAND GMBH for details.  
 3) Delivery lead times may vary depending on the product. Contact JST for details.

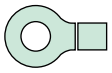


# RING TONGUE Non-insulated

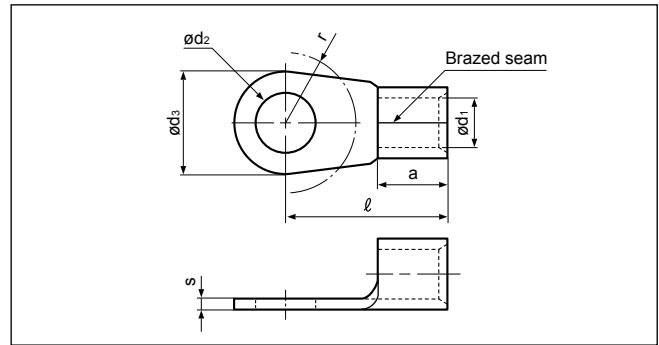
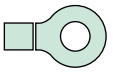


Applicable Wire mm <sup>2</sup>	Stud Size Metric	Part No.	Nominal Size	Dimensions mm (in.)							Tool No.	Qty/box
				$\phi d_2$	$\phi d_3$	r	$\ell$	a	$\phi d_1$	s		
>6 to 10	4	<b>GS4-10</b>		4.3 (.169)	10.0 (.394)	6.5 (.256)	16.0 (.630)	8.0 (.315)	4.5 (.177)	1.1 (.043)	WC-0510DIN WC-1016DIN	500
	6	<b>GS6-10</b>	6-10	6.5 (.256)	11.0 (.433)	7.5 (.295)	17.0 (.669)					
	8	<b>GS8-10</b>	8-10	8.4 (.331)	14.0 (.551)	10.0 (.394)	20.0 (.787)					
	10	<b>GS10-10</b>	10-10	10.5 (.413)	18.0 (.709)	12.0 (.472)	21.0 (.827)					
	12	<b>GS12-10</b>	12-10	13.0 (.512)	22.0 (.866)	13.0 (.512)	23.0 (.906)					
>10 to 16	5	<b>GS5-16</b>	5-16	5.3 (.209)	11.0 (.433)	7.5 (.295)	20.0 (.787)	10.0 (.394)	5.8 (.228)	1.2 (.047)	WC-1016DIN	200
	6	<b>GS6-16</b>	6-16	6.5 (.256)	11.0 (.433)	7.5 (.295)	20.0 (.787)					
	8	<b>GS8-16</b>	8-16	8.4 (.331)	14.0 (.551)	10.0 (.394)	22.0 (.866)					
	10	<b>GS10-16</b>	10-16	10.5 (.413)	18.0 (.709)	12.0 (.472)	24.0 (.945)					
	12	<b>GS12-16</b>	12-16	13.0 (.512)	22.0 (.866)	13.0 (.512)	26.0(1.024)					
>16 to 25	5	<b>GS5-25</b>	5-25	5.3 (.209)	12.0 (.472)	7.5 (.295)	25.0 (.984)	11.0 (.433)	7.5 (.295)	1.5 (.059)	—	100
	6	<b>GS6-25</b>	6-25	6.5 (.256)	12.0 (.472)	7.5 (.295)	25.0 (.984)					
	8	<b>GS8-25</b>	8-25	8.4 (.331)	16.0 (.630)	10.0 (.394)	25.0 (.984)					
	10	<b>GS10-25</b>	10-25	10.5 (.413)	18.0 (.709)	12.0 (.472)	26.0(1.024)					
	12	<b>GS12-25</b>	12-25	13.0 (.512)	22.0 (.866)	13.0 (.512)	31.0(1.220)					
	16	<b>GS16-25</b>	16-25	17.0 (.669)	28.0(1.102)	16.0 (.630)	35.0(1.378)					
>25 to 35	6	<b>GS6-35</b>	6-35	6.5 (.256)	15.0 (.591)	10.0 (.394)	26.0(1.024)	12.0 (.472)	9.0 (.354)	1.6 (.063)	—	100
	8	<b>GS8-35</b>	8-35	8.4 (.331)	16.0 (.630)	10.0 (.394)	26.0(1.024)					
	10	<b>GS10-35</b>	10-35	10.5 (.413)	18.0 (.709)	12.0 (.472)	27.0(1.063)					
	12	<b>GS12-35</b>	12-35	13.0 (.512)	22.0 (.866)	13.0 (.512)	31.0(1.220)					
	16	<b>GS16-35</b>	16-35	17.0 (.669)	28.0(1.102)	16.0 (.630)	36.0(1.417)					
	20	<b>GS20-35</b>		21.0 (.827)	30.0(1.181)	18.0 (.709)	37.5(1.476)	14.0 (.551)	9.4(.370)	1.8(.071)		
>35 to 50	6	<b>GS6-50</b>	6-50	6.5 (.256)	18.0 (.709)	12.0 (.472)	34.0(1.339)	16.0 (.630)	11.0 (.433)	1.8 (.071)	—	50
	8	<b>GS8-50</b>	8-50	8.4 (.331)	18.0 (.709)	12.0 (.472)	34.0(1.339)					
	10	<b>GS10-50</b>	10-50	10.5 (.413)	18.0 (.709)	12.0 (.472)	34.0(1.339)					
	12	<b>GS12-50</b>	12-50	13.0 (.512)	22.0 (.866)	13.0 (.512)	36.0(1.417)					
	16	<b>GS16-50</b>	16-50	17.0 (.669)	28.0(1.102)	16.0 (.630)	40.0(1.575)					
	20	<b>GS20-50</b>		21.0 (.827)	32.0(1.260)	18.0 (.709)	41.5(1.634)	18.0(.709)	11.4(.449)	2.0(.079)		
>50 to 70	6	<b>GS6-70</b>	6-70	6.5 (.256)	22.0 (.866)	13.0 (.512)	38.0(1.496)	18.0 (.709)	13.0 (.512)	2.0 (.079)	—	25
	8	<b>GS8-70</b>	8-70	8.4 (.331)	22.0 (.866)	13.0 (.512)	38.0(1.496)					
	10	<b>GS10-70</b>	10-70	10.5 (.413)	22.0 (.866)	13.0 (.512)	38.0(1.496)					
	12	<b>GS12-70</b>	12-70	13.0 (.512)	22.0 (.866)	13.0 (.512)	38.0(1.496)					
	16	<b>GS16-70</b>	16-70	17.0 (.669)	28.0(1.102)	16.0 (.630)	42.0(1.654)					
	20	<b>GS20-70</b>		21.0 (.827)	32.0(1.260)	18.0 (.709)	45.0(1.772)	19.0(.748)	13.3(.524)			

Note: 1) Contact J.S.T.(U.K.) Ltd for the above tools.  
 2) Reference: DIN46234 Contact J.S.T. DEUTSCHLAND GMBH for details.  
 3) Delivery lead times may vary depending on the product. Contact JST for details.



# RING TONGUE *Non-insulated*



Applicable Wire mm <sup>2</sup>	Stud Size Metric	Part No.	Nominal Size	Dimensions mm (in.)							Tool No.	Qty/box
				$\varnothing d_2$	$\varnothing d_3$	r	$\ell$	a	$\varnothing d_1$	s		
>70 to 95	8	GS8-95	8-95	8.4 (.331)	24.0 (.945)	13.0 (.512)	42.0(1.654)	20.0 (.787)	15.0(.591)	2.5 (.098)	—	25
	10	GS10-95	10-95	10.5 (.413)	24.0 (.945)	13.0 (.512)	42.0(1.654)					
	10	GS10L-95		10.5 (.413)	27.0(1.063)	14.0 (.551)	40.7(1.602)					
	12	GS12-95	12-95	13.0 (.512)	24.0 (.945)	13.0 (.512)	42.0(1.654)					
	12	GS12L-95		13.0 (.512)	27.0(1.063)	14.0 (.551)	40.7(1.602)					
	16	GS16-95	16-95	17.0 (.669)	28.0(1.102)	16.0 (.630)	44.0(1.732)					
	16	GS16LL-95		17.0 (.669)	32.0(1.260)	18.0 (.709)	52.0(2.047)					
	20	GS20L-95		21.0 (.827)	32.0(1.260)	18.0 (.709)	52.0(2.047)					
>95 to 120	8	GS8-120	8-120	8.4 (.331)	24.0 (.945)	13.0 (.512)	44.0(1.732)	22.0 (.866)	16.5 (.650)	3.0 (.118)	—	25
	10	GS10-120	10-120	10.5 (.413)	24.0 (.945)	13.0 (.512)	44.0(1.732)					
	12	GS12-120	12-120	13.0 (.512)	24.0 (.945)	13.0 (.512)	44.0(1.732)					
	16	GS16-120	16-120	17.0 (.669)	28.0(1.102)	16.0 (.630)	48.0(1.890)					
	16	GS16S-120		17.0 (.669)	32.0(1.260)	20.0 (.787)	53.0(2.087)					
	20	GS20-120		21.0 (.827)	32.0(1.260)	25.0 (.984)	53.0(2.087)					
>120 to 150	10	GS10-150	10-150	10.5 (.413)	30.0(1.181)	16.0 (.630)	50.0(1.969)	24.0 (.946)	19.0 (.748)	3.2 (.126)	—	25
	12	GS12-150	12-150	13.0 (.512)	30.0(1.181)	16.0 (.630)	50.0(1.969)					
	16	GS16-150	16-150	17.0 (.669)	30.0(1.181)	16.0 (.630)	50.0(1.969)					
	20	GS20-150		21.0 (.827)	36.0(1.417)	30.0(1.181)	63.0(2.480)					
>150 to 185	10	GS10-185	10-185	10.5 (.413)	36.0(1.417)	16.0 (.630)	50.0 (1.969)	28.0 (1.102)	21.0 (.827)	3.5 (.138)	—	20
	12	GS12-185	12-185	13.0 (.512)								
	16	GS16-185	16-185	17.0 (.669)								
>185 to 240	10	GS10-240	10-240	10.5 (.413)	38.0(1.496)	20.0 (.787)	56.0(2.205)	32.0(1.260)	23.5(.925)	4.0 (.157)	—	10
	12	GS12-240	12-240	13.0 (.512)								
	16	GS16-240	16-240	17.0 (.669)								
>240 to 300	10	GS10-300		10.5 (.413)	50.5(1.988)	26.0(1.024)	69.0(2.717)	35.5 (1.398)	28.0 (1.102)	4.5 (.177)	—	5
	12	GS12L-300		13.0 (.512)								
	16	GS16-300		17.0 (.669)								
	22	GS22L-300		23.0 (.906)								

Note: 1) Contact J.S.T.(U.K.) Ltd for the above tools.  
 2) Reference: DIN46234 Contact J.S.T. DEUTSCHLAND GMBH for details.  
 3) Delivery lead times may vary depending on the product. Contact JST for details.