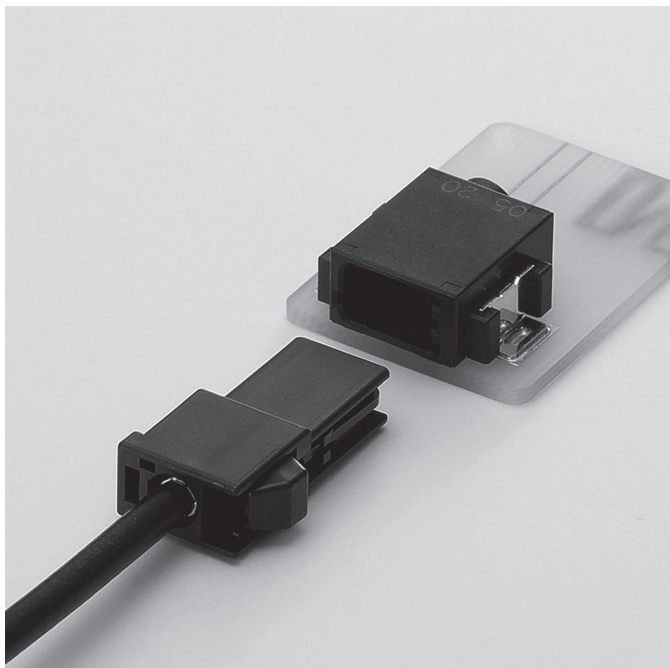
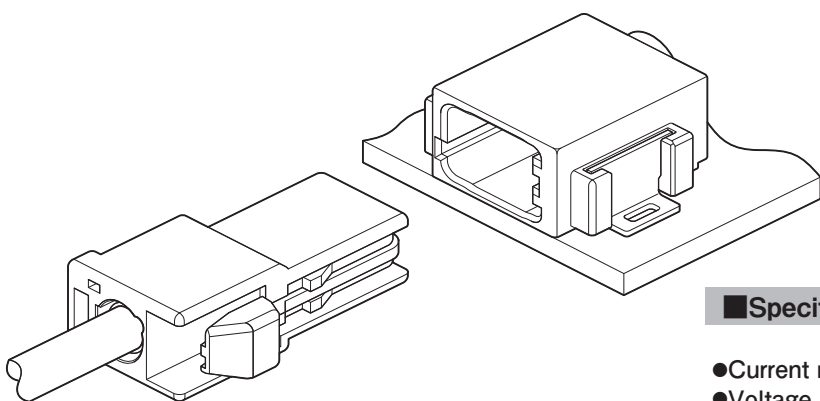


EA1 CONNECTOR

Board-to-wire/High frequency



Connector was developed as a coaxial connector for high-frequency application to automobile. This connector achieves low profile and miniaturization.



■Features

●Compact, low profile design

Miniaturized compared to the conventional coaxial connector for automobile.

The lowest profile is achieved as an on-board type connector.

●Superb high-frequency performance

V.S.W.R of this connector achieves 1.5 or less.

●Locking structure

The locking feature will avoid the housing coming off due to wiring process and external shock and mis-insertion of the connector.

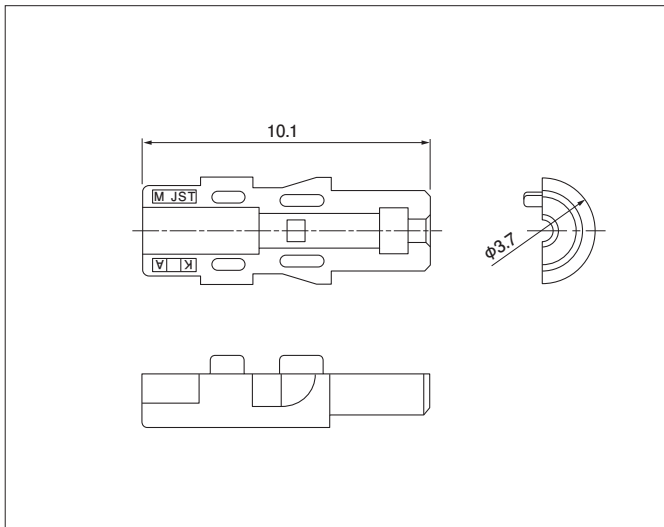
■Specifications

- Current rating: 1.0 A AC, DC
- Voltage rating: 250 V
- Temperature range: -40°C to +105°C
(including temperature rise in applying electrical current)
- Contact resistance:
 - Inner conductor; Initial value/ 20 mΩ max.
After environmental tests/ 20 mΩ max.
 - Outer conductor; Initial value/ 35 mΩ max.
After environmental tests/ 35 mΩ max.
- Insulation resistance: 1,000 MΩ min.
- Withstanding voltage: 300 VAC/minute
- Applicable wire: 1.5DS-GXC-SP
made by Sumitomo (SEI) Electronic Wire, Inc.
(Inner conductor/ ϕ 0.6 mm, Insulation/ ϕ 1.6 mm,
Outer conductor O.D./ ϕ 2.2 mm, Sheath/ ϕ 3.0 mm)
- Frequency range: DC to 6 GHz
- Characteristic impedance: 50 Ω

* Compliant with ELV/RoHS.

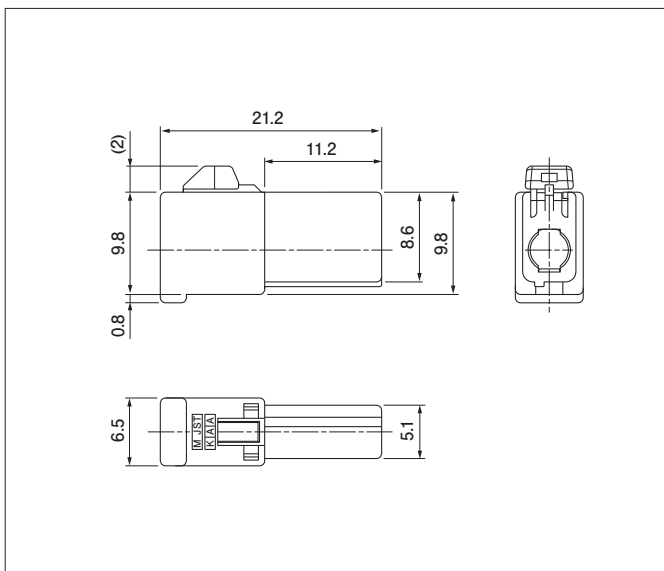
* Contact JST for details.

Inner housing



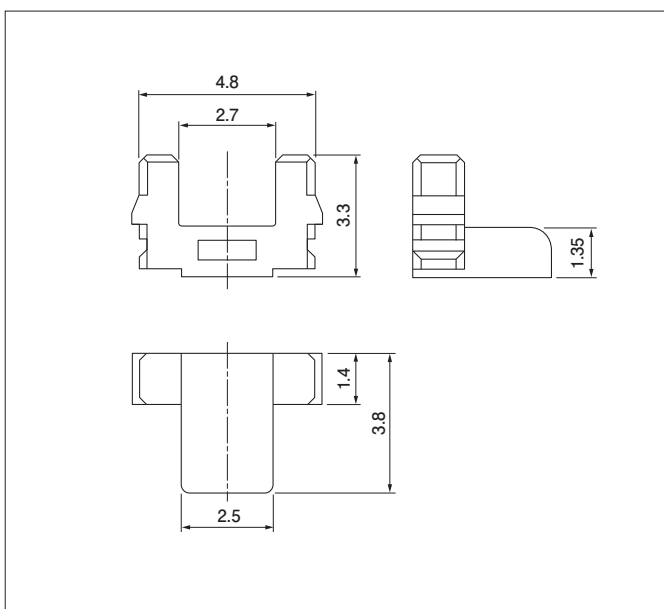
Model No.	Q'ty/box
EA1-PHN-4S	1,000
Material and Finish	
Thermoplastic resin, Natural (White)	

Outer housing



Model No.	Q'ty/box
EA1-PHG-1K-A	240
Material and Finish	
PBT, Black	

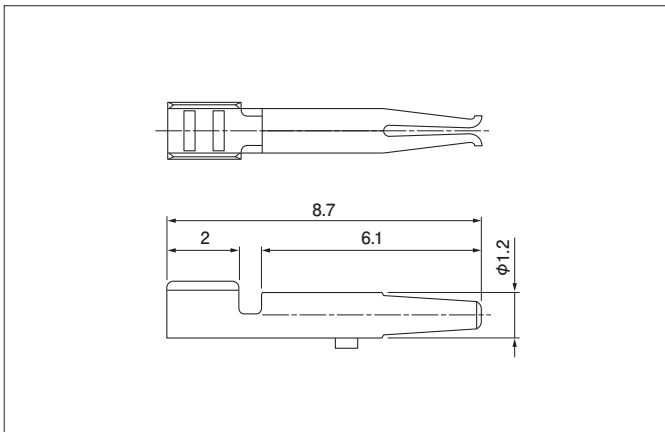
Retainer



Model No.	Q'ty/box
EA1-PRT-3H	5,000
Material and Finish	
Glass-filled PBT, Gray	

EA1 CONNECTOR

Female terminal



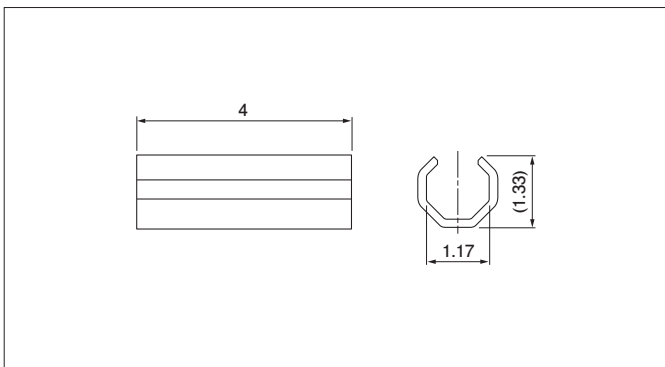
Model No.	Q'ty/reel
EA1-SCS342	25,000

Material and Finish

Phosphor bronze, nickel-undercoated
 Contact area; gold-plated
 Barrel area; tin-plated (reflow treatment)

Note: This product displays (LF)(SN) on a label.

Sleeve

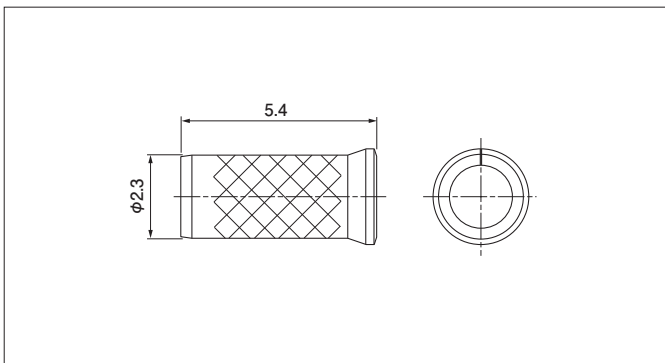


Model No.	Q'ty/box
EA1-SLP290	10,000

Material and Finish

Copper alloy, tin-plated (reflow treatment)

Ferrule

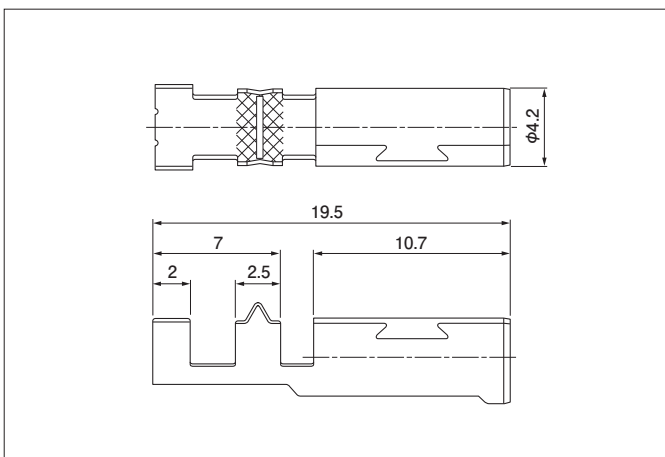


Model No.	Q'ty/box
EA1-FLP290A	5,000

Material and Finish

Copper alloy, tin-plated (reflow treatment)

Shell



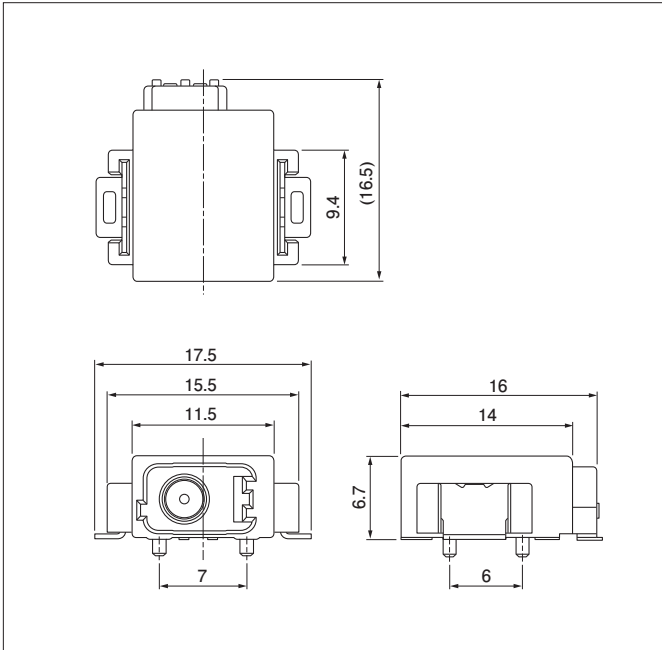
Model No.	Q'ty/reel
EA1-SSP391	2,000

Material and Finish

Copper alloy, nickel-undercoated, tin/copper alloy-plated

Note: This product displays (LF) on a label.

Header



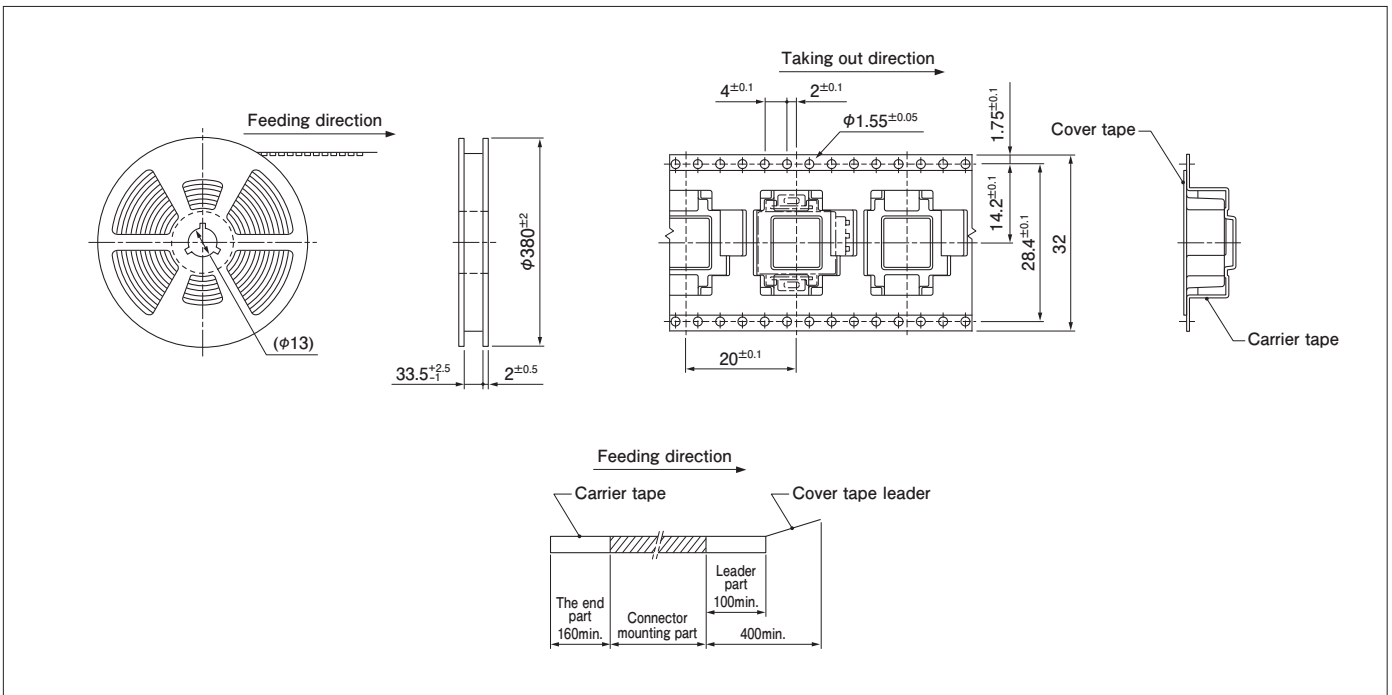
Model No.	Q'ty/reel
EA1-1RAS-029100-K1-TF	500

Material and Finish

Terminal: Phosphor bronze, nickel-undercoated, gold-plated (with nickel stripe)
 Housing: Glass-filled PA 9T, Black
 Peg: Brass, copper-undercoated, tin-plated (reflow treatment)
 Shell: Phosphor bronze, nickel-undercoated, tin/copper alloy-plated

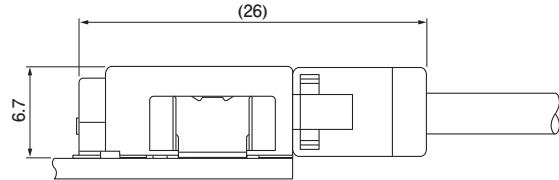
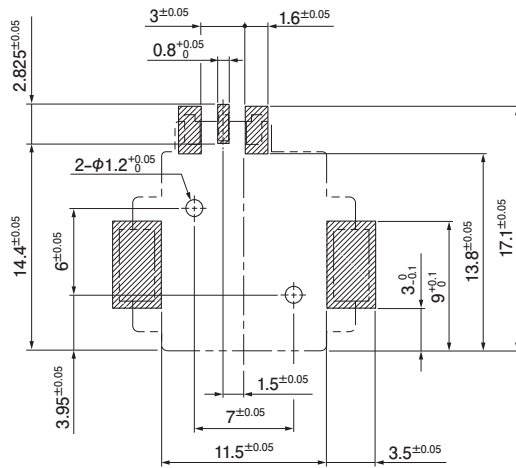
Note: This product displays (LF) on a label.

Taping Specifications



EA1 CONNECTOR

PC board layout, Assembly layout



Note: 1. Tolerances are non-cumulative: ± 0.05 mm for all centers.
2. The dimensions above should serve as guideline. Contact JST for details.

Crimping machine, Applicator

Strip terminal	Crimping machine	Crimp applicator MKS-L	
		Dies	Crimp applicator with dies
EA1-SCS342	AP-K2N	MK/EA1-SCS	APLMK EA1-SCS

Note: When crimping operation is conducted using an applicator and die set other than the above, JST cannot guarantee the performance of the terminal.

Jig

Jig	Hand crimp tool
Sleeve insertion jig	H3-SLIT2-EA1
Shell insertion jig	H3-SIT-EA1
Shell crimping jig	H2-CP-EA1
Hand press	MPD-M2A(LR)