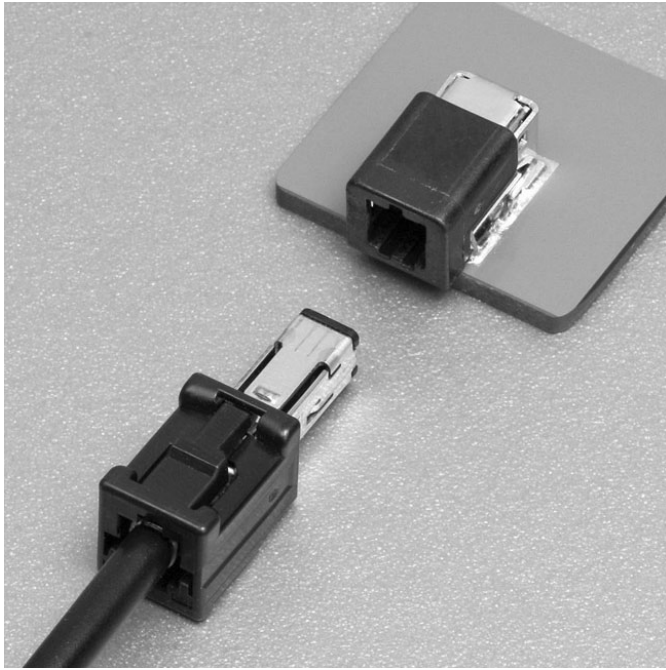


EA2 CONNECTOR (SIDE ENTRY TYPE)

Board-to-wire/High frequency



■ Features

● High Reliability

This connector has the contact reliability suitable for in-vehicle devices and has achieved the strength of 98 N or more due to our unique reinforced tab structure in spite of compact SMT product.

● Applicable Frequency 5.8 GHz

This connector is the most suitable for ETC/DSRC.

- VSWR : 1.5 or less

- Insertion Loss : -1.5 dB or more

● Space-saving design

Space-saving design with 7.4 mm connector width/
6.3 mm height on the PC board side

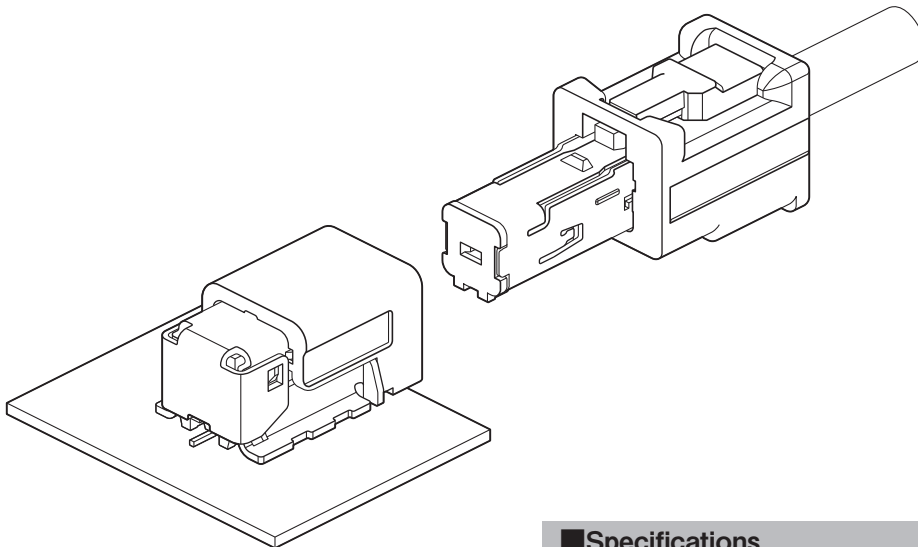
● Anti-noise Performance

Adopt excellent performance by metal shell shielding structure

High Frequency Co-axial

This connector is for small high frequency coaxial signal which is suitable for automotive equipment such as ETC/DSRC, navigation system.

It is surface mount technology (SMT) compatible products.



■ Specifications

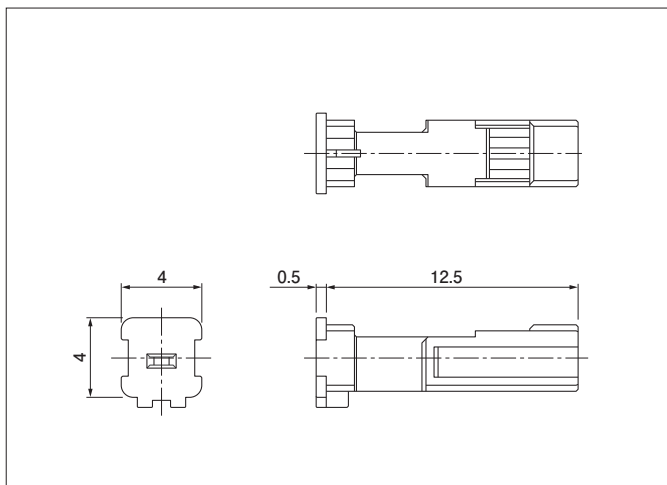
- Current rating: 1 A AC/DC
- Voltage rating: 250 V AC/DC
- Temperature range: -40°C to +105°C
(including temperature rise in applying electrical current)
- Applicable wire: 1.5 D Coaxial cables
*Applicable wires need to be evaluated separately.
- Characteristic impedance: 50 Ω
- No. of circuits: Single circuit (Coaxial)
- Frequency range: DC to 6GHz
- Mounting type: Surface mount technology (SMT)

*Compliant with ELV/RoHS2

*Contact JST for details.

EA2 CONNECTOR (SIDE ENTRY TYPE)

Inner housing of cable side

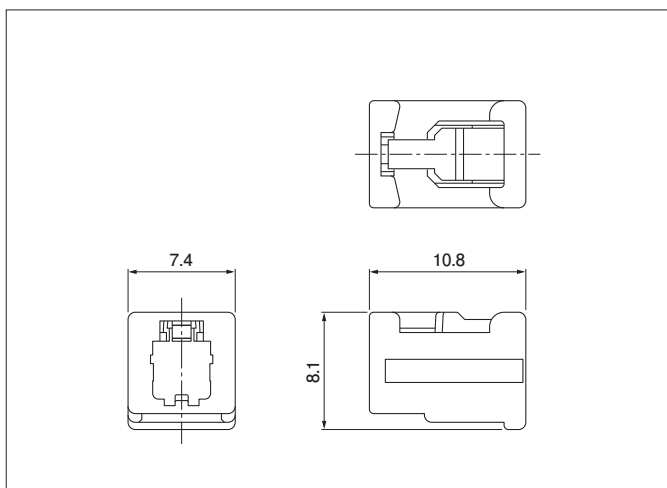


Model No.	Q'ty/box	Housing Color
EA2-PHN-2K	1,000	Black

Material and Finish

Thermoplastic resin

Outer housing of cable side

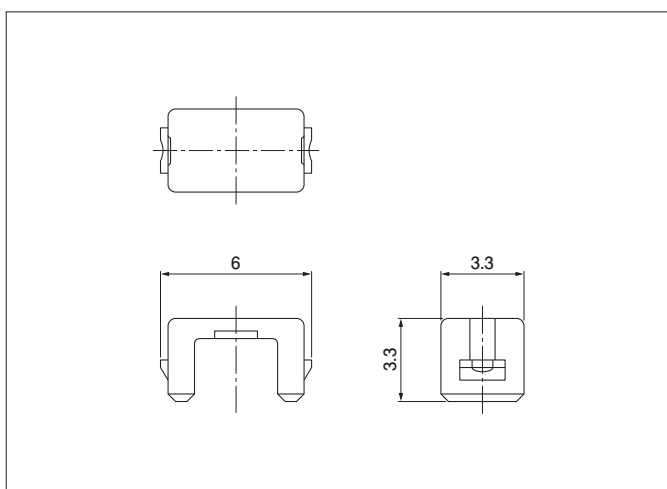


Model No.	Q'ty/box	Housing Color
EA2-PHG-1K	500	Black

Material and Finish

Thermoplastic resin

Retainer of cable side



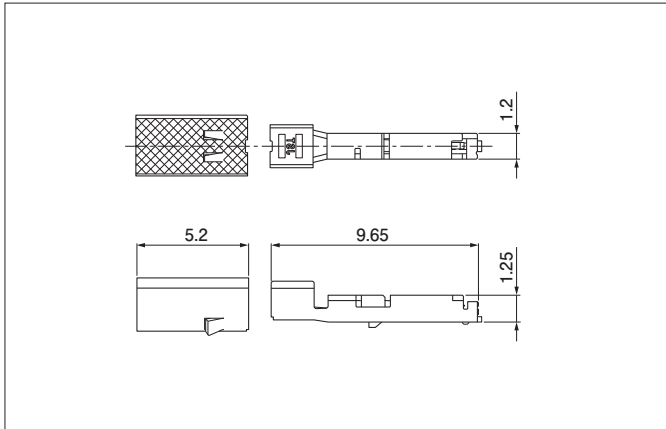
Model No.	Q'ty/box	Housing Color
EA2-PRT-2H	4,000	Gray

Material and Finish

Thermoplastic resin

EA2 CONNECTOR (SIDE ENTRY TYPE)

Female terminal



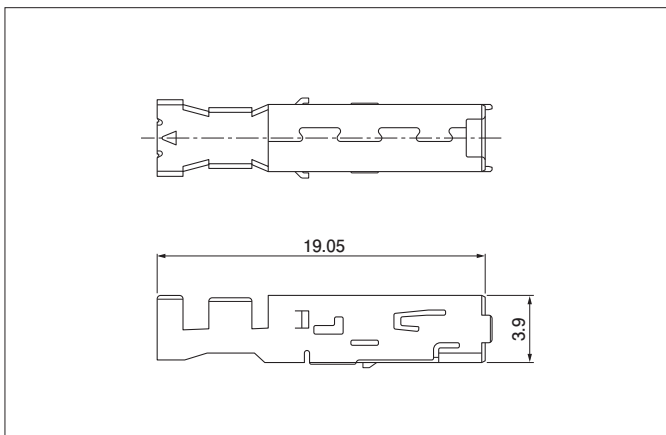
Model No.	Q'ty/reel
EA2-SCS542	10,000

Material and Finish

Copper alloy, nickel-undercoated, Contact area: gold-plated
Barrel area: tin-plated

Note: This product displays (LF) (SN) on a label.

Shell of cable side



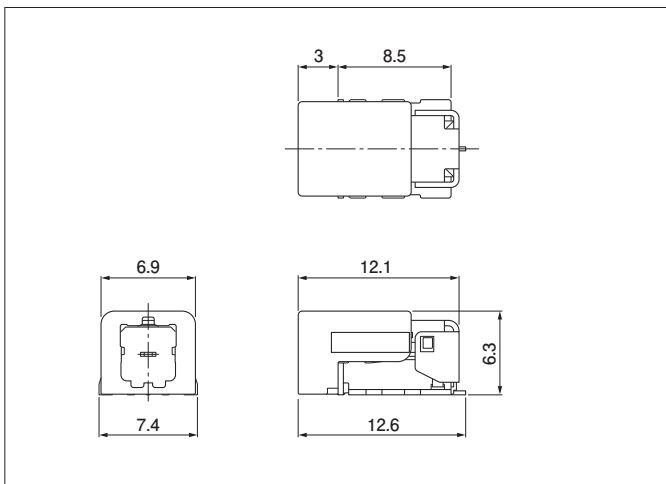
Model No.	Q'ty/reel
EA2-SSP3RPT	2,500

Material and Finish

Copper alloy, tin-plated

Note: This product displays (LF) (SN) on a label.

Male connector



Model No.	Q'ty/reel
EA2-1RAS-12T100-K1-TR	1,000

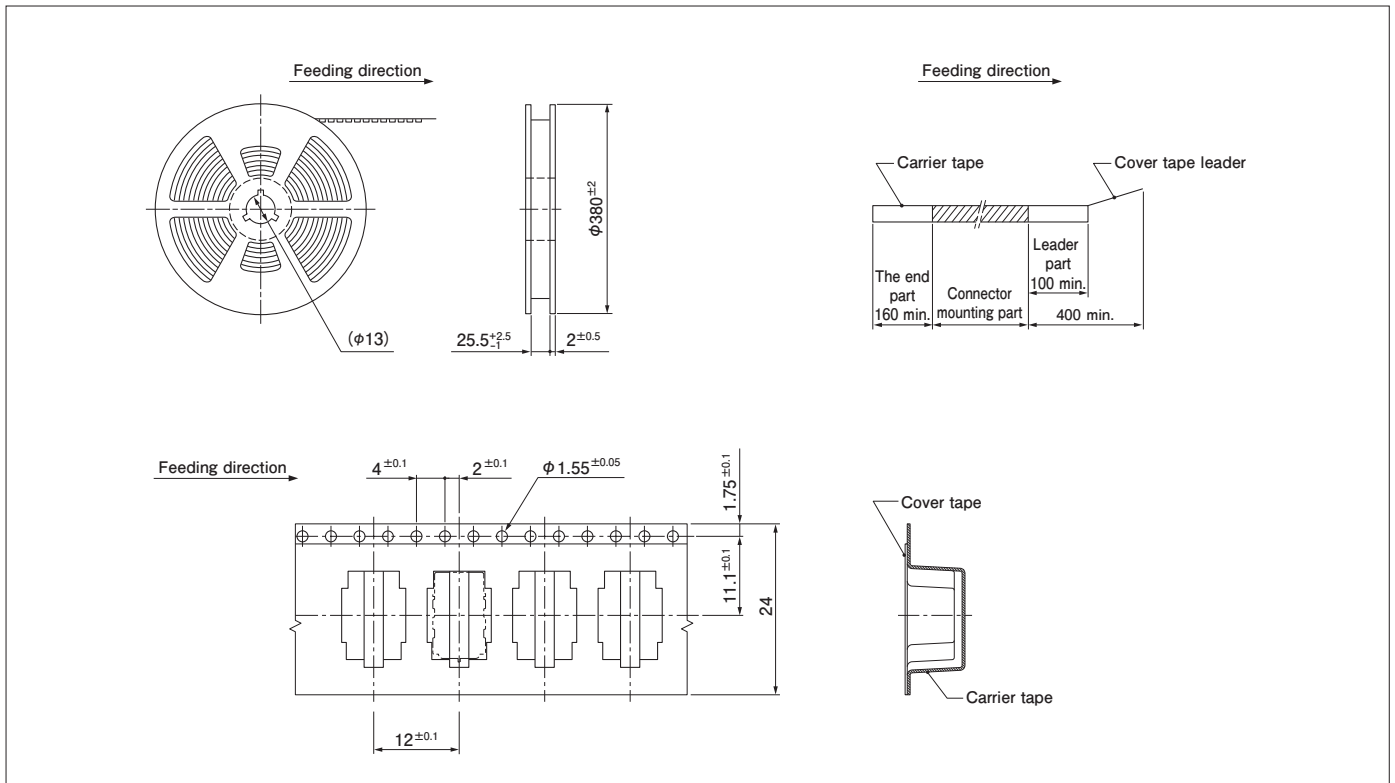
Material and Finish

Inner housing: Heat resisting resin, Black
Outer housing: Heat resisting resin, Black
Contact: Copper alloy, nickel-undercoated,
Contact area: gold-plated
Solder tail: tin-plated
Shell: Copper alloy, tin-plated

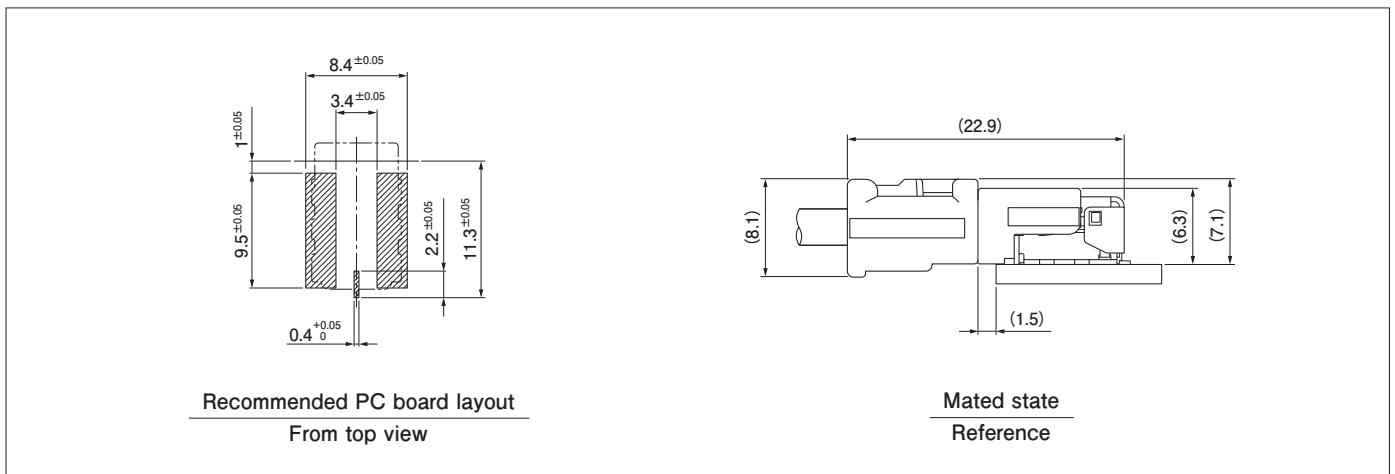
Note: This product displays (LF) (SN) on a label.

EA2 CONNECTOR (SIDE ENTRY TYPE)

Taping Specification



PC board layout, Assembly layout



Note: 1. Tolerances are non-cumulative: ± 0.05 mm for all centers.
2. The dimensions above should serve as guideline. Contact JST for details.

Crimping machine, Applicator

Strip terminal	Crimping machine	Crimp applicator MKS-L	
		Dies	Crimp applicator with dies
EA2-SCS542	AP-K2N	MK/EA2-SCS	APLMK EA2-SCS

Note: When crimping operation is conducted using an applicator and die set other than the above, JST cannot guarantee the performance of the terminal.

Jig

Jig	Model No.
Shell crimping jig	H2-CP-EA2
Hand press	HPD-M2A (R)