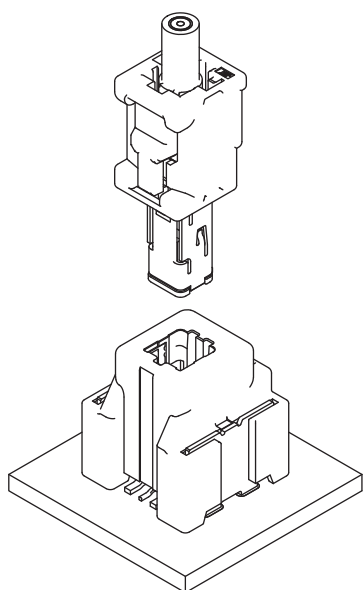


EA2 CONNECTOR (TOP ENTRY TYPE)

Board-to-wire



This is compact high-frequency signal connector suitable for in-vehicle equipment with antenna communication (Wi-Fi, Bluetooth). It is also suitable for coaxial video signal transmission in combination with cable-side connectors for noise suppression. It is through-hole reflow (THR) compatible products.



Features

● High Reliability

This connector has the contact reliability suitable for in-vehicle devices and has achieved the strength of 98 N or more due to our unique reinforced tab structure.

● Applicable frequency range "to 2.5 GHz" and "5.17 to 5.71 GHz"

Frequency range is suitable for antenna communication (Wi-Fi, Bluetooth) of "to 2.5 GHz" and "5.17 to 5.71 GHz".

• VSWR

to 2.5 GHz : 1.5 or less

5.17 to 5.71 GHz: 1.5 or less

• Insertion loss

to 2.5 GHz : -1.5 dB or more

5.17 to 5.71 GHz: -1.5 dB or more

● For coaxial video signal transmission

(for noise suppression)

By combining with the cable side connector anti-noise shell assembly, coaxial video signal transmission can be supported.

● Anti-noise Performance

Adopt excellent performance by metal shell shielding structure.

Specifications

● Current rating: 1 A AC/DC

● Voltage rating: 250 V

● Temperature range: -40°C to +105°C
(including temperature rise in applying electrical current)

● Applicable wire: 1.5 D Coaxial cables

*Applicable wires need to be evaluated separately.

● Characteristic impedance: 50 Ω

● No. of circuits: Single circuit (Coaxial)

● Frequency range: "to 2.5 GHz" and "5.17 to 5.85 GHz".

● Mounting type: Through-hole reflow (THR)

● Key type: Two types

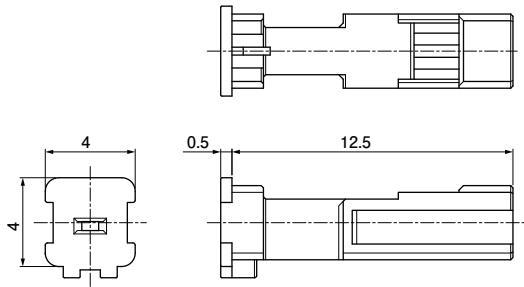
*Compliant with ELV/RoHS2

*Contact JST for details.

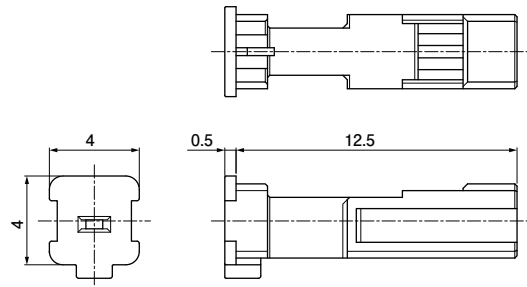
EA2 CONNECTOR (TOP ENTRY TYPE)

Inner housing of cable side

● EA2-PHN-2K



● EA2-PHN-2H-B



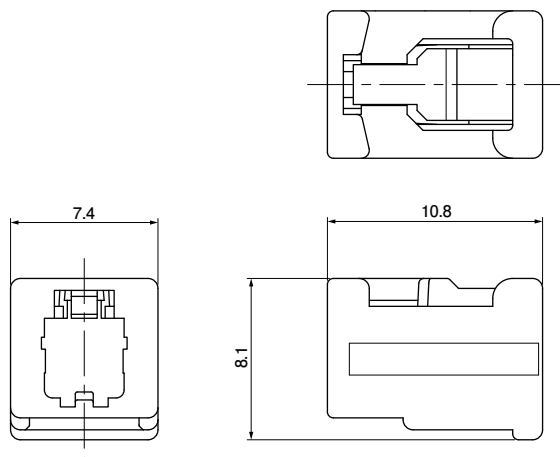
Key type	Model No.	Housing Color	Q'ty/box
A	EA2-PHN-2K	Black	1,000
B	EA2-PHN-2H-B	Gray	1,000

Material and Finish

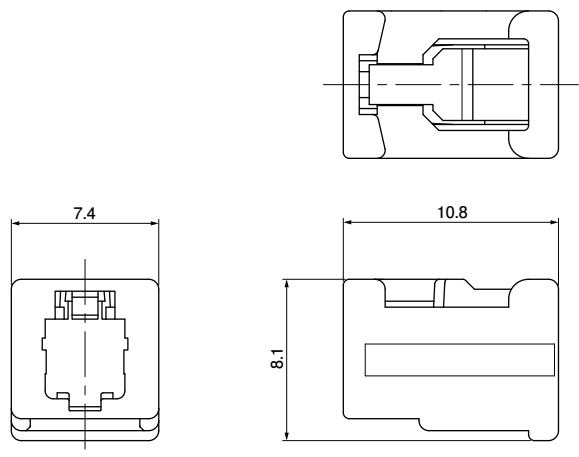
Thermoplastic resin

Outer housing of cable side

● EA2-PHG-1K



● EA2-PHG-1H-B



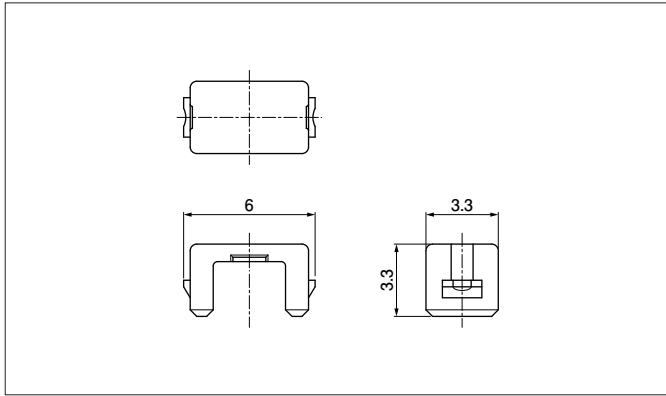
Key type	Model No.	Housing Color	Q'ty/box
A	EA2-PHG-1K	Black	500
B	EA2-PHG-1H-B	Gray	500

Material and Finish

Thermoplastic resin

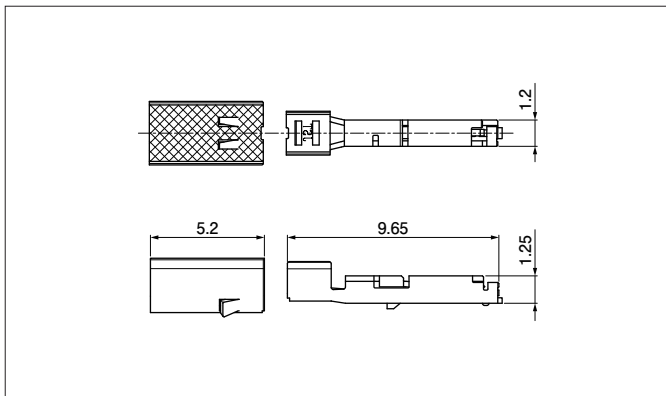
EA2 CONNECTOR (TOP ENTRY TYPE)

Retainer of cable side



Model No.	Housing Color	Q'ty/box
EA2-PRT-2H	Gray	4,000
Material and Finish		
Thermoplastic resin		

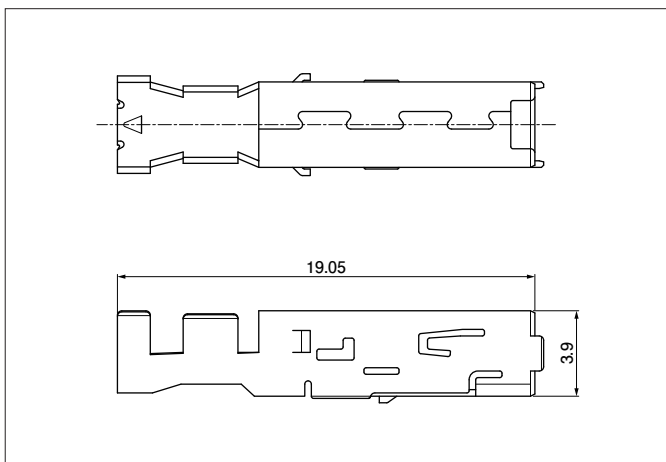
Female terminal



Model No.	Q'ty/reel
EA2-SCS542	10,000
Material and Finish	
Copper alloy, nickel-undercoated, Contact area: gold-plated Barrel area: tin-plated	

Note: This product displays (LF) (SN) on a label.

Shell of cable side



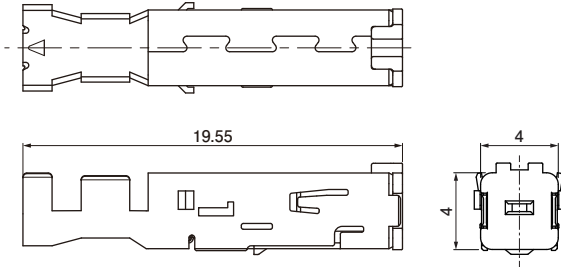
Model No.	Q'ty/reel
EA2-SSP3RPT	2,500
Material and Finish	
Copper alloy, tin-plated	

Note: This product displays (LF) (SN) on a label.

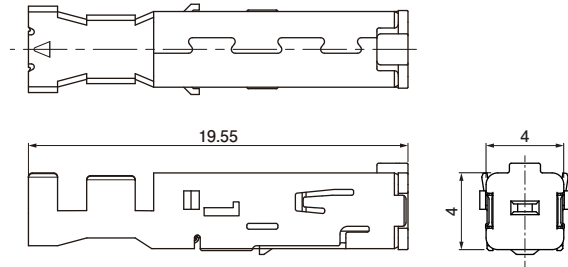
EA2 CONNECTOR (TOP ENTRY TYPE)

Shell assembly (For noise suppression)

● EA2-SSPNP-E-A



● EA2-SSPNP-M-B



Key type	Model No.	Housing Color	Q'ty/reel
A	EA2-SSPNP-E-A	Blue	2,500
B	EA2-SSPNP-M-B	Green	2,500

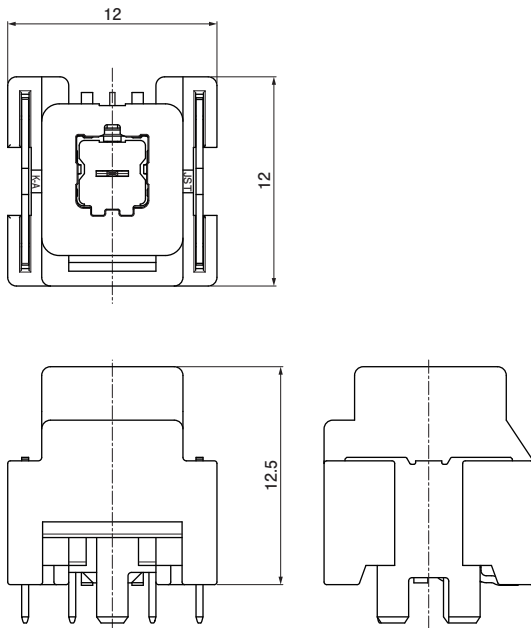
Material and Finish

Inner housing: Thermoplastic resin
 Inner plate: Copper alloy
 Shell: Copper alloy, tin-plated

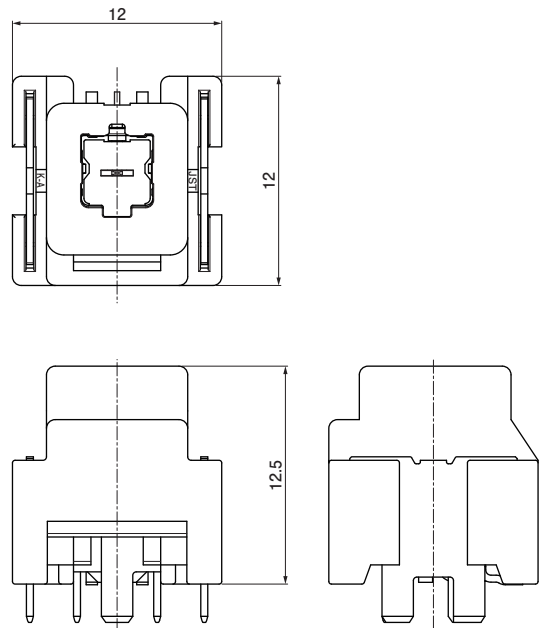
Note: This product displays (LF) (SN) on a label.

Male connector

● EA2-1RABM-12T210-K2-TL



● EA2-1RBBM-12T210-H2-TL



Key type	Model No.	Housing Color	Q'ty/reel
A	EA2-1RABM-12T210-K2-TL	Black	220
B	EA2-1RBBM-12T210-H2-TL	Gray	220

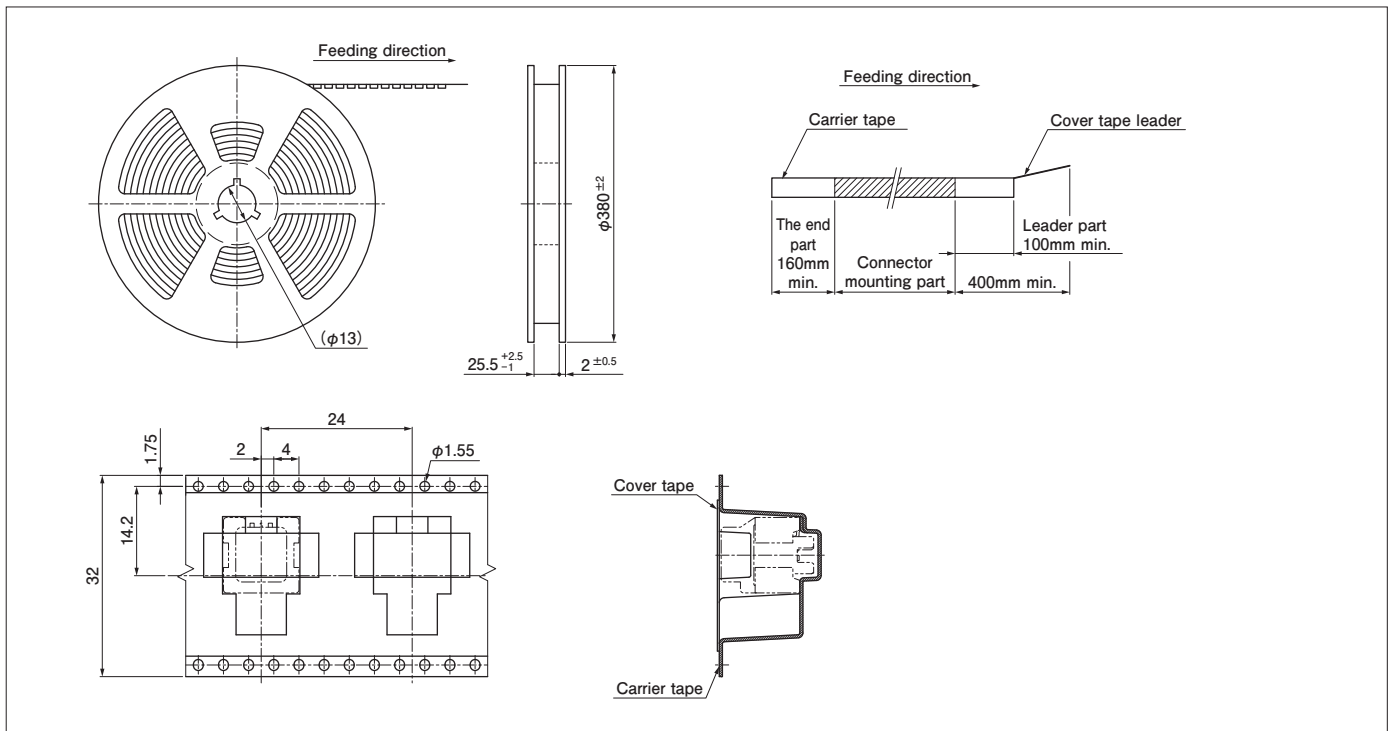
Material and Finish

Outer housing: Heat resisting resin
 Contact: Copper alloy, nickel-undercoated, Contact area: gold-plated
 Solder tail: tin-plated
 Shell: Copper alloy, tin-plated
 Reinforcement: Copper alloy, nickel-undercoated, Solder tail: tin-plated

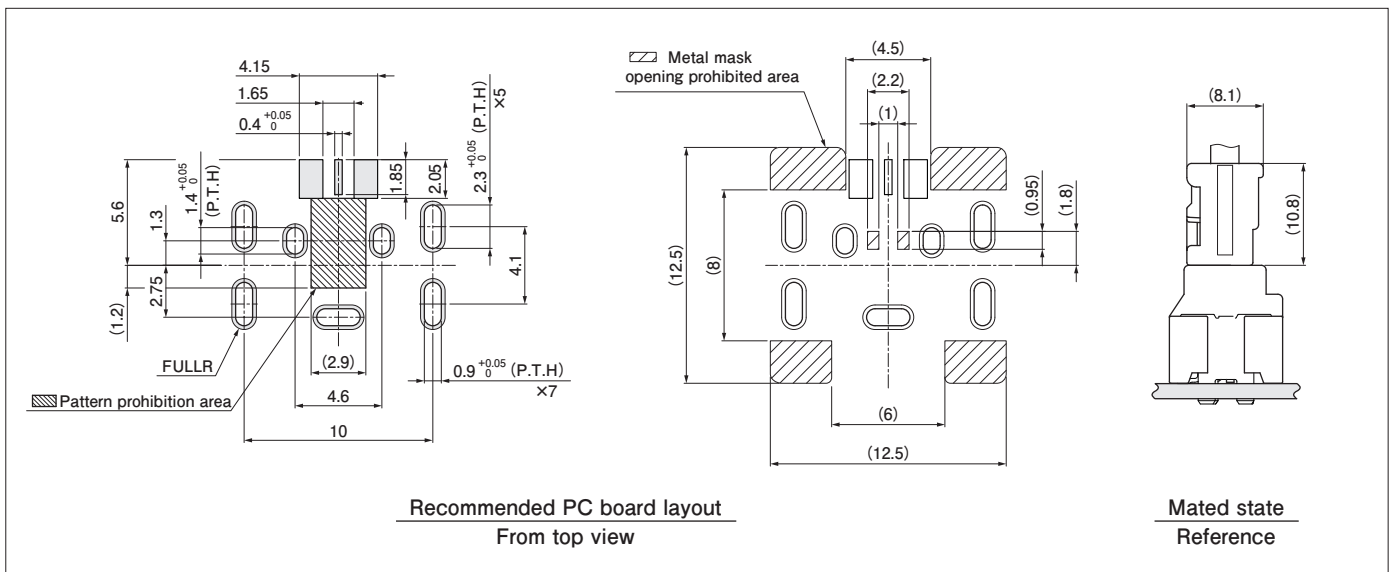
Note: This product displays (LF) (SN) on a label.

EA2 CONNECTOR (TOP ENTRY TYPE)

Taping Specification



PC board layout, Assembly layout



Crimping machine, Applicator

Strip terminal	Crimping machine	Crimp applicator MKS-L	
		Dies	Crimp applicator with dies
EA2-SCS542	AP-K2N	MK/EA2-SCS	APLMK EA2-SCS

Note: 1. When crimping operation is conducted using an applicator and die set other than the above, JST cannot guarantee the performance of the terminal.
2. Contact JST for details.

Jig

Jig	Model No.
Shell crimping jig	H2-CP-EA2
Hand press	HPD-M2A(R)