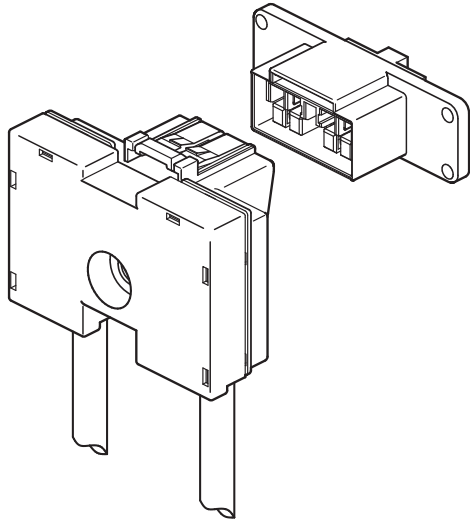




# FAH CONNECTOR (SCREW LOCK TYPE)

16 mm pitch/Wire-to-Wire connectors/Screw lock and Mating style



This is a 2-circuit wire-to-wire connector with a 90 A maximum current rating. The connector housing comes pre-loaded with contacts. The wires are terminated by ring tongue terminals which are mounted to the connector by screw. The ring tongue terminals can be replaced by busbars.

- Space saving
- Finger protection safety feature
- Housings are designed to prevent incorrect mating
- Compatible with crimp style ring terminal

## ■ Specifications

### • Current rating:

\* The rated current of this product for each combination of wire and crimp terminal is shown in the table below. However, the crimp terminals must be manufactured by JST.

Unit: A (AC/DC)

Wire size	Applicable ring terminals (JST terminals)	Current rating
AWG #4 (22sq)	22-S6	90
AWG #6 (14sq)	R14-6	75
AWG #8 (8sq)	8-L6	60
AWG #10 (5.5sq)	R5.5-6	35

- Voltage rating: 600 V AC/DC
- Temperature range: -25°C to +85°C  
(including temperature rise in applying electrical current)
- Contact resistance:
  - Initial value/ 2 mΩ max.
  - After environmental tests/ 5 mΩ max.
- Insulation resistance:
  - After environmental tests/ 100 MΩ min.
- Withstanding voltage:
  - There shall be no breakdown or flashover while applying 3,000 VAC for one minute.
- Applicable ring terminals: As described in the above section on rated current.
- Applicable wire range:
  - Conductor size/ AWG #10 to AWG #4
  - Insulation O.D./ φ 10.3 mm max.
- \* Please refer to the "Handling Precautions for Terminals and Connectors" on our website (listed in the "Technical Documents" column on the Product Information page) before use.
- \* RoHS2 compliance
- \* Dimensional unit: mm
- \* Contact JST for details.

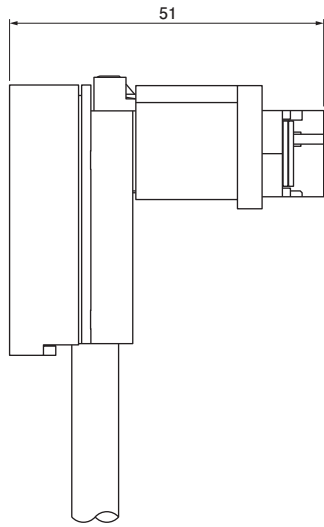
## ■ Standards

For information on overseas standard registrations, please refer to the "List of Registered Overseas Standards" on our website (listed in the "Technical Documents" column on the Product Information page).

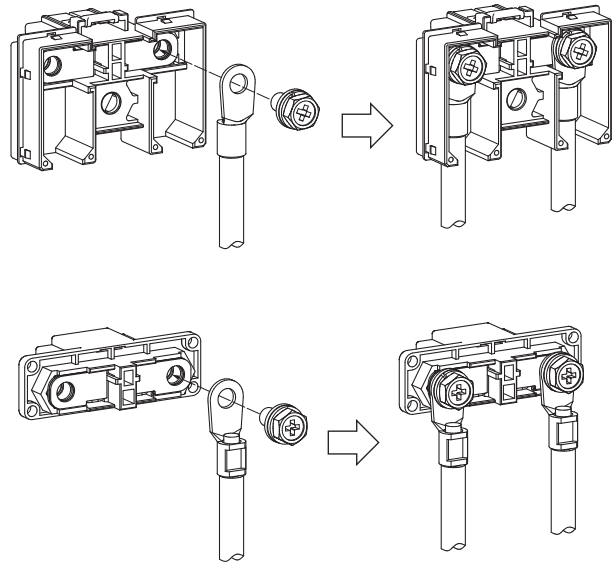
\* Specifications registered to overseas standards may differ from the general specifications listed above.

# FAH CONNECTOR (SCREW LOCK TYPE)

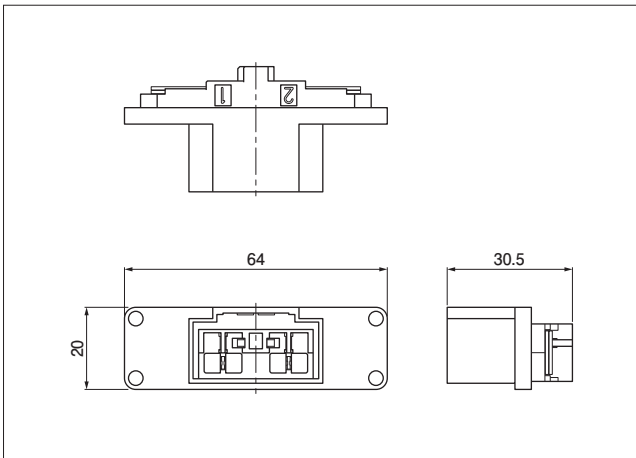
## Assembly layout



## Condition of use (Crimped ring terminals to be screwed to this product)



## Receptacle assembly

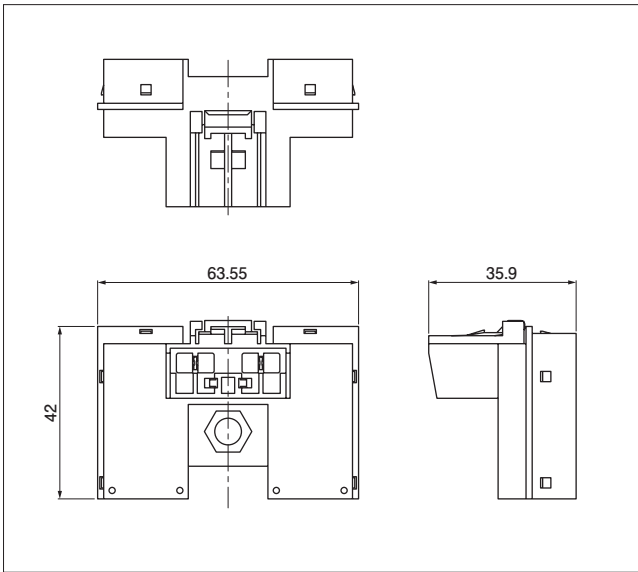


Model No.	Material and Surface finish, etc.		Q'ty/box
02FAH-FAGD	Housing	PBT (GF), black	60
	Contact L	Copper, selective gold-plated	
	Contact R	Copper, selective gold-plated	
	Spring	Stainless steel	
	Hexagonal nut (M6)	Steel	

Note: For flame retardant grade of resin material used, please refer to the "List of Registered Overseas Standards" on our website (listed in the "Technical Documents" column on the Product Information page).

# FAH CONNECTOR (SCREW LOCK TYPE)

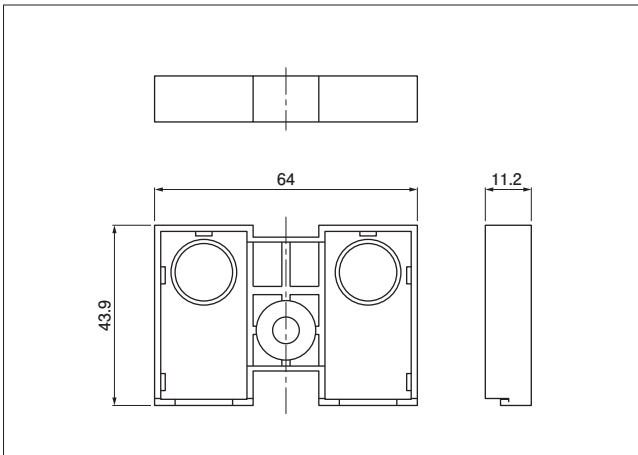
## Tab assembly



Model No.	Material and Surface finish, etc.		Q'ty/box
02FAH-MAGD	Housing	PBT (GF) , black	32
	Contact L	Copper, selective gold-plated	
	Contact R	Copper, selective gold-plated	
	Spring	Stainless steel	
	Hexagonal nut (M6)	Steel	

Note: For flame retardant grade of resin material used, please refer to the "List of Registered Overseas Standards" on our website (listed in the "Technical Documents" column on the Product Information page).

## Tab cover housing



Model No.	Q'ty/box
FAH-MC02V-K	80
Material and Surface finish, etc.	
PBT (GF) , black	

Note: For flame retardant grade of resin material used, please refer to the "List of Registered Overseas Standards" on our website (listed in the "Technical Documents" column on the Product Information page).