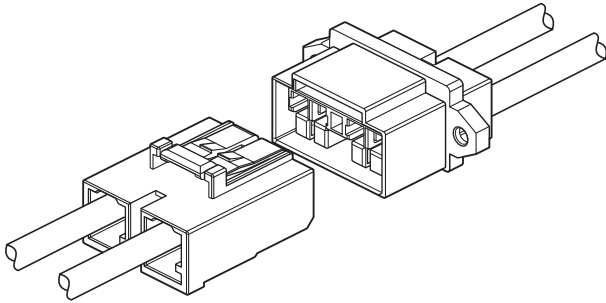


FAH CONNECTOR

16 mm pitch/Wire-to-Wire connectors



This is a one-touch detachable connector for wire-to-wire connection with a maximum rated current of 50 A (when AWG #8 wire is applied).

Male and female contacts of this connector are designed as the same shape, and finger protection is realized for both the tab housing and the receptacle housing.

- Finger protection
- Prevention of false mating
- High reliability

Standards

Ⓜ : Recognized E 60389

△ : J50343864

Specifications

Current rating:

* The following table shows the rated current when applying to all circuits with each combination of the number of circuits and the wires used.

Current unit: A (AC/DC)

No. of circuits	Applicable wire size	
	AWG#8	AWG#10
1	50	35
2	50	35

• Voltage rating: 600 V AC/DC

• Temperature range: -25°C to +85°C

(including temperature rise in applying electrical current)

• Contact resistance:

Initial value/ 2 mΩ max.

After environmental tests/ 5 mΩ max.

• Insulation resistance: 100 MΩ min.

• Withstanding voltage: 3,000 VAC/minute

• Applicable wire: AWG #10 to #8

* In using the products, refer to "Handling Precautions for Terminals and Connectors" described on our website (Technical documents of Product information page).

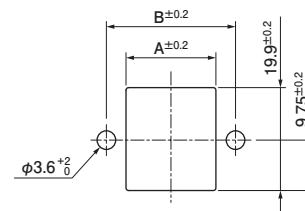
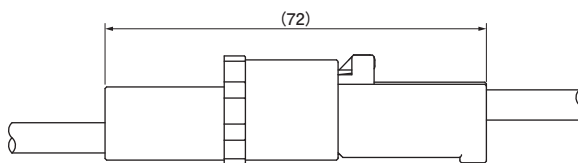
* RoHS2 compliance

* Dimensional unit: mm

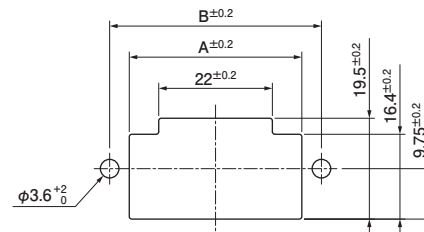
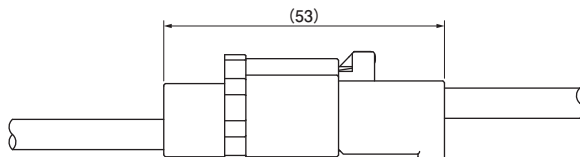
* Contact JST for details.

Assembly layout and Panel layout

<Single circuit>



<2 circuits>

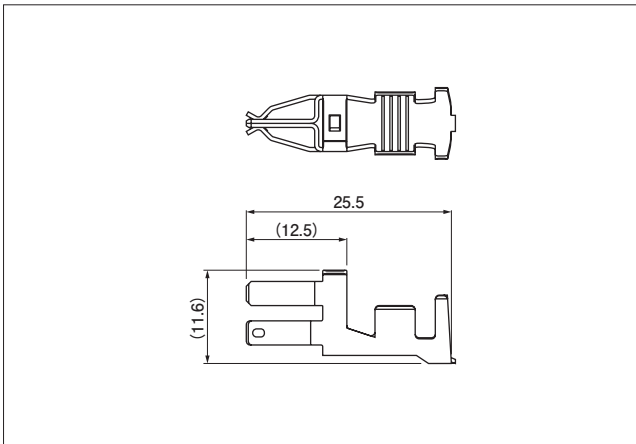


No. of circuits	Dimensions (mm)	
	A	B
1	17.4	25.0
2	33.4	41.0

- Note: 1. Punch holes in the panel according to the figures shown above. Burrs must be removed.
 2. The strength of the panel must be considered when punching two or more holes.
 3. The connector must be inserted from the same side as the hole is punched.

FAH CONNECTOR

Contact (Common use in Tab housing and Receptacle housing)



Model No.	Applicable wire		Insulation O.D. (mm)	Q'ty/reel
	mm ²	AWG#		
SFAH-91GC(Z)-M3	5.3	10	4.6 to 5.3	500
SFAH-A1GC(Z)-M3	8.4	8	5.5 to 7.8	500

Material and Finish

Copper alloy, nickel-undercoated, selective gold-plated

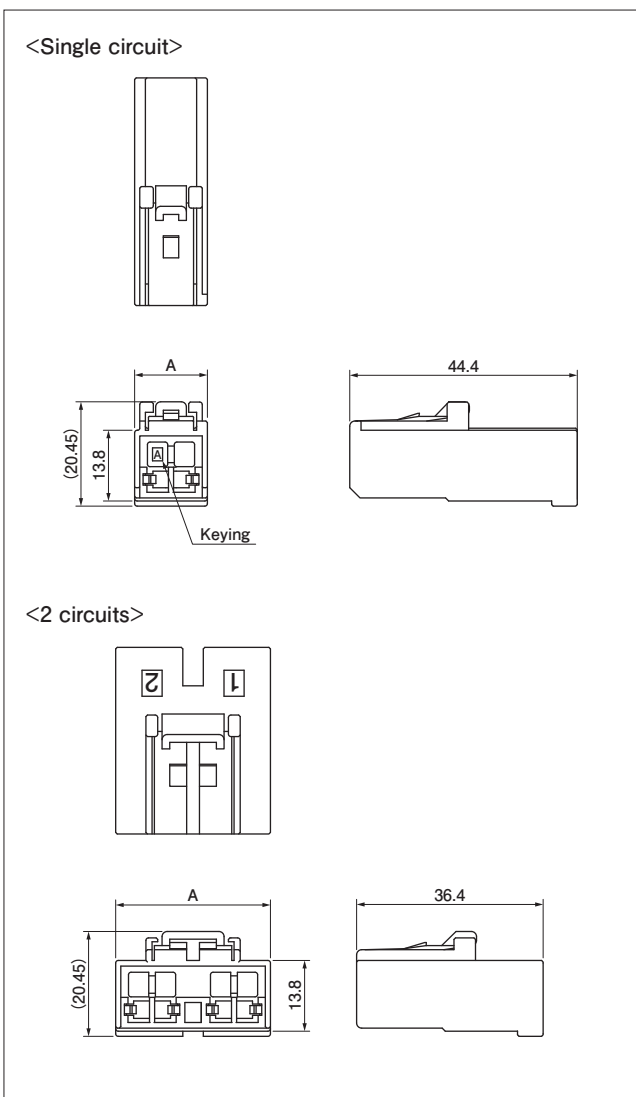
RoHS2 compliance

Crimping machine

Contact	Crimping machine	Applicator	Crimp applicator with dies
SFAH-91GC(Z)-M3	AP-K2N	MKS-L-FAH-K2	APLMK SFAH-91-M3-K2 APLMK SFAH-91-M3
SFAH-A1GC(Z)-M3	AP-K6A	MKS-L-FAH	APLMK SFAH-A1-M3

Note: Contact JST for hand tooling and battery tooling.

Tab housing



No. of circuits	Keying	Model No.	Color	Dimensions (mm)	Q'ty/bag
				A	
1	A	FAH-M01V-KL1-A	Black	14.2	500
	B	FAH-M01V-RL1-B	Red	14.2	500
2	—	FAH-M02V-K	Black	30.2	400

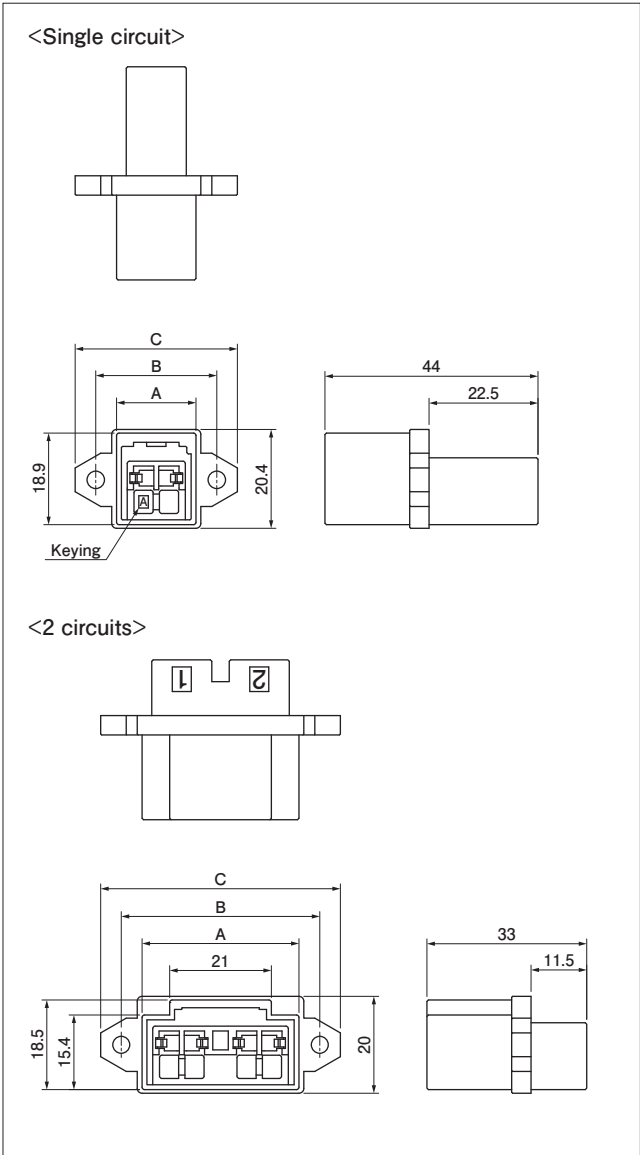
Material and Finish

Thermoplastic resin, UL94V-0

RoHS2 compliance

FAH CONNECTOR

Receptacle housing



No. of circuits	Keying	Model No.	Color	Dimensions (mm)			Q'ty/box
				A	B	C	
1	A	FAH-F01V-KL1-A	Black	16.4	25.0	33.5	400
	B	FAH-F01V-RL1-B	Red	16.4	25.0	33.5	400
2	—	FAH-F02V-K	Black	32.4	41.0	49.5	400

Material and Finish

Thermoplastic resin, UL94V-0

RoHS2 compliance