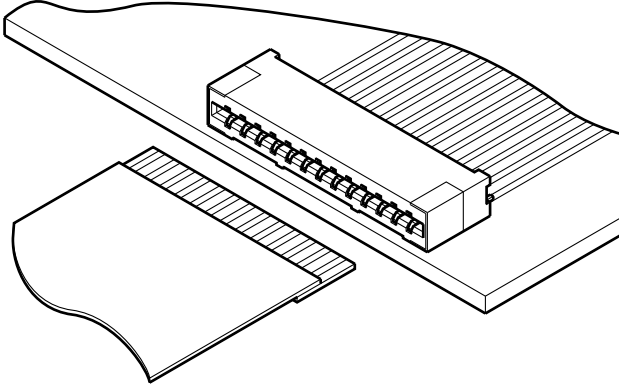


FFS CONNECTOR

1.25 mm pitch/Connectors for board-to-FFC/Non-ZIF type



The FFS series connectors are designed for surface mount technology (SMT) and to meet the demand for high-density packaging. They are miniature connectors with a height of only 2.8 mm. Their high contact pressure eliminates fretting corrosion and ensures secure connections. Low insertion force make connection easy.

■ Features

● SMT compatible

Because of its small pitch and its ability to be surface mounted, this connector meets the demand for high-density packaging.

● Double-leaf contact mating enhances reliability through redundancy

The contact is made of phosphor bronze that maintains its spring force in adverse environmental conditions. FFC leads can be inserted with little force, yet the contact pressure is high once they are inserted.

● High-density design

Compact and high-density design with a mounting height of 2.8 mm.

● Simple snap-in action

The FFC is securely connected by simply inserting its leads into the connector.

● Embossed tape for automatic mounting

This product is supplied on embossed tape and reel packaging, using heat-resistant resin (PPS).

● Solder tabs

This connector also features reinforcing solder tabs to prevent lifting of the connector during mating and unmating.

■ Specifications

- Current rating: 0.5 A AC/DC
- Voltage rating: 50 V AC/DC
- Temperature range: -25°C to +85°C (Including temperature rise in applying electrical current)
- Contact resistance: Initial value / 20 mΩ max.
After environmental tests / 30 mΩ max.
- Insulation resistance: 800 MΩ min.
- Withstanding voltage: There shall be no breakdown or flashover while applying 500 VAC for one minute.
- Applicable FFC: Conductor pitch / 1.25 mm
Conductor width / 0.8 mm
Thickness of contact area / 0.30 ± 0.05 mm
- ※ Please refer to the "Handling Precautions for Terminals and Connectors" on our website (listed in the "Technical Documents" column on the Product Information page) before use.
- ※ RoHS2 compliance
- ※ Dimensional unit: mm
- ※ Contact JST for details.

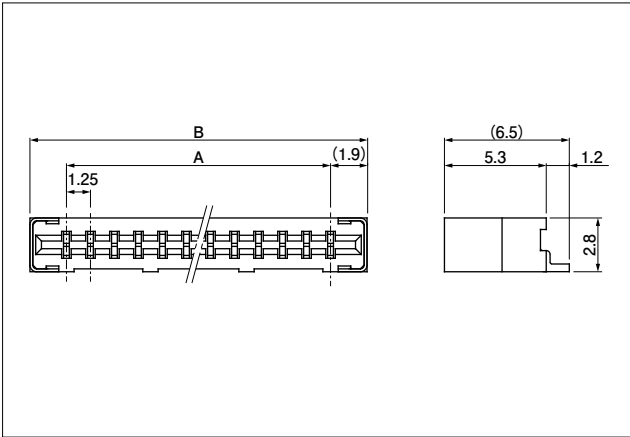
■ Standards

For information on overseas standard registrations, please refer to the "List of Registered Overseas Standards" on our website (listed in the "Technical Documents" column on the Product Information page).

- ※ Specifications registered to overseas standards may differ from the general specifications listed above.

FFS CONNECTOR

Connector



No. of circuits	Model No.	Dimensions (mm)		Q'ty / reel
		A	B	
4	04FFS-SP-TF	3.75	7.55	1,000
5	05FFS-SP-TF	5.00	8.80	1,000
6	06FFS-SP-TF	6.25	10.05	1,000
8	08FFS-SP-TF	8.75	12.55	1,000
15	15FFS-SP-TF	17.50	21.30	1,000
21	21FFS-SP-TF	25.00	28.80	1,000
26	26FFS-SP-TF	31.25	35.05	2,000

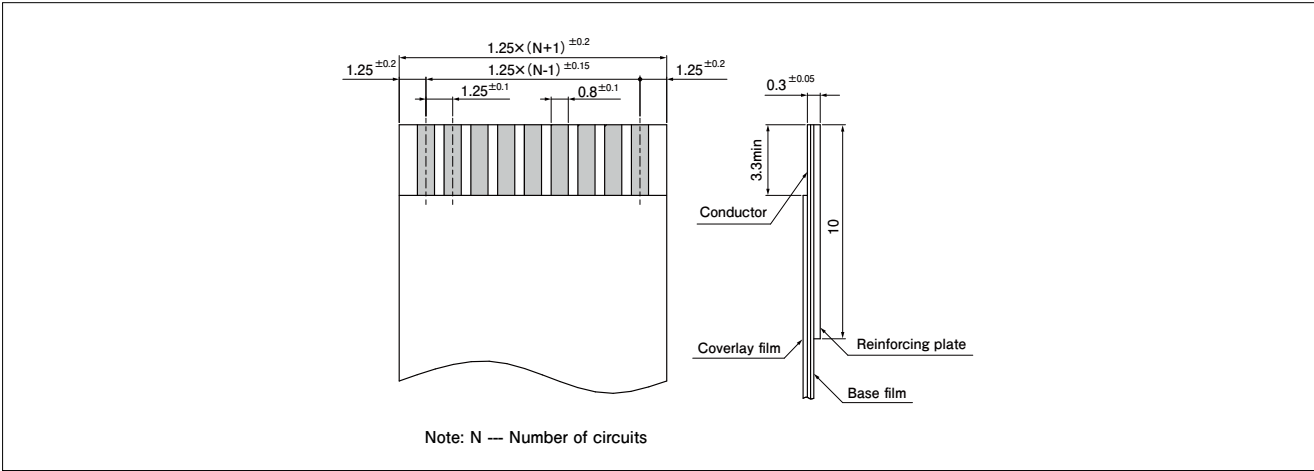
Material and Surface finish, etc.

Contact: Copper alloy, tin-plated
 Housing: PPS
 Solder tab: Copper alloy, tin-plated

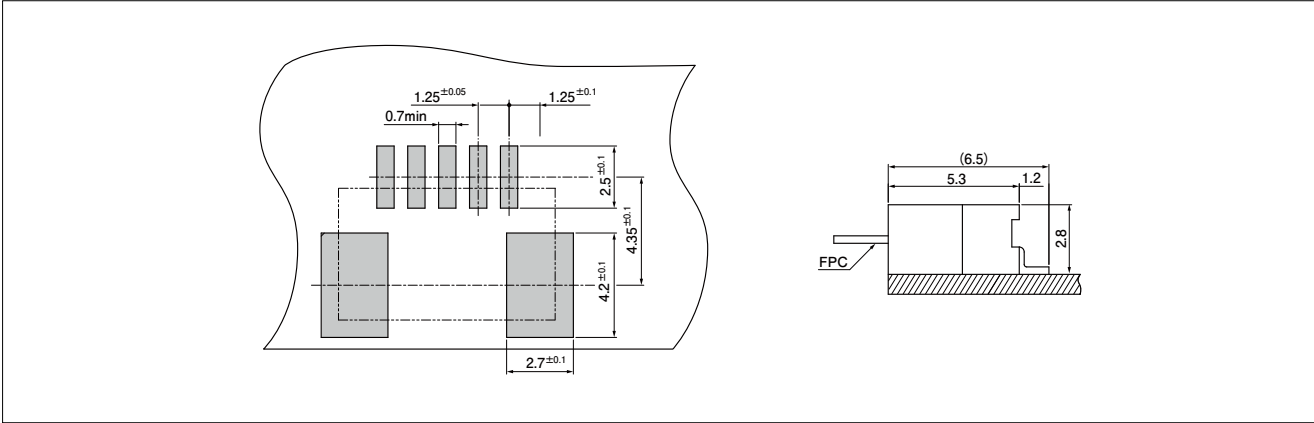
Note: For flame retardant grade of resin material used, please refer to the "List of Registered Overseas Standards" on our website (listed in the "Technical Documents" column on the Product Information page).

This product is supplied on embossed tape and reel packaging. Contact JST for details.

Dimensions of FFC lead section



PC board layout and Assembly layout



Note: Tolerance for the PCB pattern pitch shall be ± 0.05 and shall not accumulate. The above dimensions are reference values. Please contact JST for details.