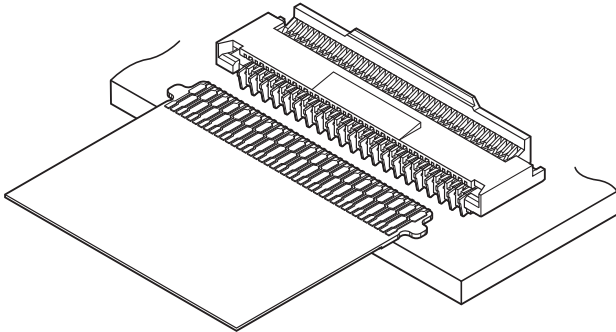


FGEM CONNECTOR

0.25 mm pitch/For Printed Circuit Boards /FPC Connections - ZIF Type



The FGEM connector is the industry's first mid-flip type 0.25 mm pitch FPC connector. The internal structure inherits the conventional back-flip type design to enable both upper and lower contact specifications.

By utilizing a mid-flip function that tilts the actuator forward, a space-saving advantage can be achieved, resembling characteristics to that of front-flip style FPC connectors.

In addition, the tilted feature of this connector improves FPC insertion workability and allows components to be placed closer to the connector, providing higher density mounting.

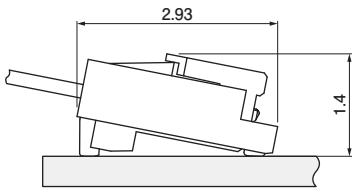
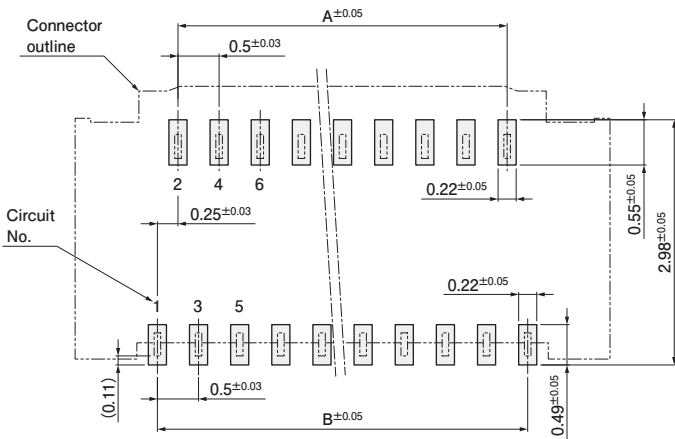
- Supports FPC with protrusions
- Upper and lower contact structure
- Tilt type

■ Specifications

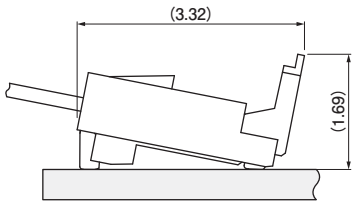
- Current rating: 0.2 A AC/DC
- Voltage rating: 50 V AC/DC
- Temperature range: -25°C to +85°C
(including temperature rise in applying electrical current)
- Contact resistance: Initial value/ 100 mΩ max.
After test/ 100 mΩ max.
(Variation from initial value)
- Insulation resistance: 50 MΩ min.
- Withstanding voltage:
There shall be no breakdown or flashover while applying 200 VAC for one minute.
- Applicable FPC: Conductor pitch/ 0.25 mm
Conductor width/ 0.27 mm
Mating part thickness / 0.2 ± 0.03 mm
- * Please refer to the "Handling Precautions for Terminals and Connectors" on our website (listed in the "Technical Documents" column on the Product Information page) before use.
- * RoHS2 compliance
- * Dimensional unit: mm
- * Contact JST for details.

FGEM CONNECTOR

PC board layout and Assembly layout



Actuator Closed



Actuator Open

- Note: 1. The PC board layout figure shown is viewed from the connector mounting surface.
 2. Tolerance for the PCB pattern pitch shall be ± 0.03 and shall not accumulate.
 3. Dimensions A and B: See "Connector" section on page 1.
 4. The above dimensions are for reference only. Please contact JST for further details.