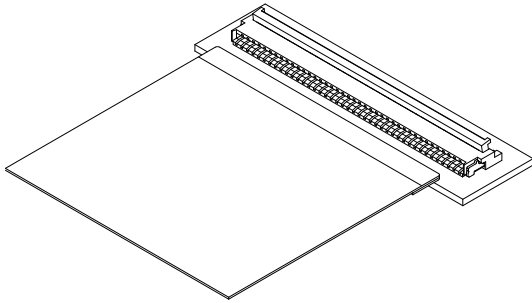


# FHHS CONNECTOR

0.5 mm pitch / Connectors for PC board / For FPC • ZIF Type



This is 0.5 mm pitch, back flip type FPC connector for 0.3 mm thick FPC. Realized space saving with thin of 1.0 mm mounting height. Considering the transmission of various high-speed interfaces such as Thunderbolt™, the differential impedance shall be matched at 90 Ω.

- Low profile (Space saving)
- Contact structure on one side (upper contact)
- Differential impedance 90 Ω
- 0.5 mm pitch
- Applicable to automatic mounting by embossed-taping

## Specifications

- Current rating : 0.5 A AC/DC
- Voltage rating : 50 V AC/DC
- Temperature range : -25°C to +85°C  
(including temperature rise in applying electrical current)
- Contact resistance : Initial value/ 150 mΩ max.  
After environmental tests/ 60 mΩ max.  
(variation from initial value)
- Insulation resistance : 100 MΩ min.
- Withstanding voltage : 200 VAC/minute
- Applicable FPC : Conductor pitch/ 0.5 mm  
Conductor width/ 0.33 mm  
Mating part thickness/ 0.3 ± 0.03 mm

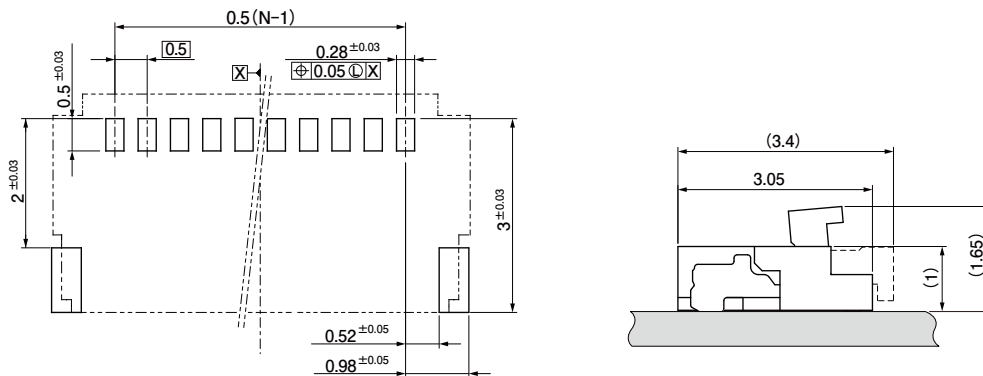
\* In using the products, refer to "Handling Precautions for Terminals and Connectors" described on our website (Technical documents of Product information page).

\* RoHS2 compliance

\* Dimensional unit : mm

\* Contact JST for details.

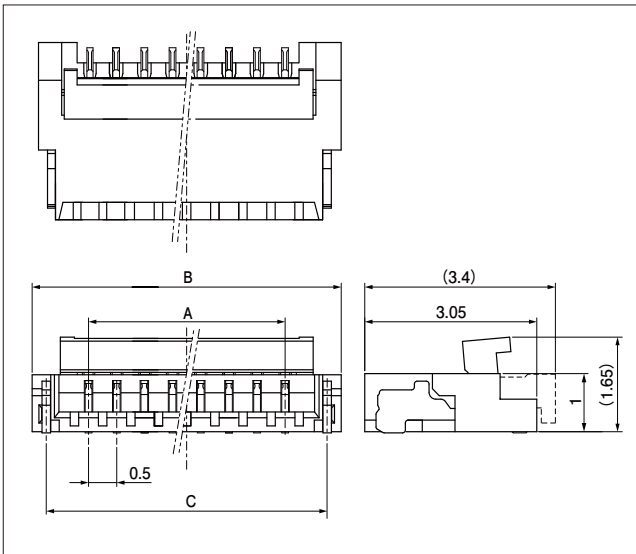
## PC board layout and Assembly layout



- Note : 1. The above figure is the figure viewed from the connector mounting side.  
2. "N" indicates the number of circuits.  
3. The dimensions above should serve as a guideline. Contact JST for details.

# FHHS CONNECTOR

## Connector



No. of circuits	Model No.	Dimensions (mm)			Q'ty/reel
		A	B	C	
40	40FHHS-SM1-GAN-T-ETF (HF)	19.5	21.5	21	5,000

### Material and Finish

Contact : Copper alloy, nickel-undercoated, gold-plated  
 Cover housing : Heat resisting resin, UL94V-0  
 Housing : Heat resisting resin, UL94V-0  
 Reinforcement : Copper alloy, copper-undercoated, tin-plated (reflow treatment)

### RoHS2 compliance, Halogen-free product

Note: The product listed above is supplied on embossed-tape.

## Lead section dimensions of FPC

