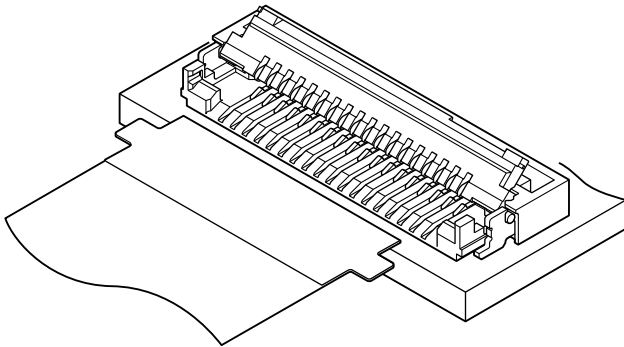




FH-Y CONNECTOR

0.5 mm pitch/Board-to-FPC connector/ZIF type



This connector features a mounting height of 1.3 mm and a FPC thickness of 0.3 mm with contacts located on the bottom. Moreover, it is designed to improve connection reliability by preventing incomplete mating and incorrect insertion of FPCs with protrusions.

- Improved connection reliability geared for FPCs with protrusions
- A one-touch operation to close the cover activates the self-locking mechanism.

Specifications

- Current rating: 0.5 A AC/DC
- Voltage rating: 50 V AC/DC
- Temperature range: -25°C to +85°C
(including temperature rise in applying electrical current)
- Contact resistance: Initial value/ 60 mΩ max.
After environmental tests/ 60 mΩ max.
(variation from initial value)
- Insulation resistance: 500 MΩ min.
- Withstanding voltage: There shall be no breakdown or flashover while applying 200 VAC for one minute.
- Applicable FPC: Conductor pitch/ 0.5 mm
Conductor width/ 0.35 mm
Thickness of contact area/ 0.3 ± 0.03 mm

* For FPCs, please confirm compatibility before use.

* Please refer to the "Handling Precautions for Terminals and Connectors" on our website (listed in the "Technical Documents" column on the Product Information page) before use.

* RoHS2 compliance

* Dimensional unit: mm

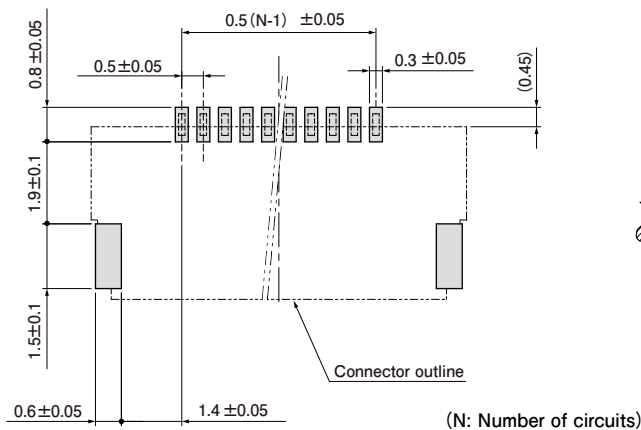
* Contact JST for details.

Standards

For information on overseas standard registrations, please refer to the "List of Registered Overseas Standards" on our website (listed in the "Technical Documents" column on the Product Information page).

※ Specifications registered to overseas standards may differ from the general specifications listed above.

PC board layout and Assembly layout



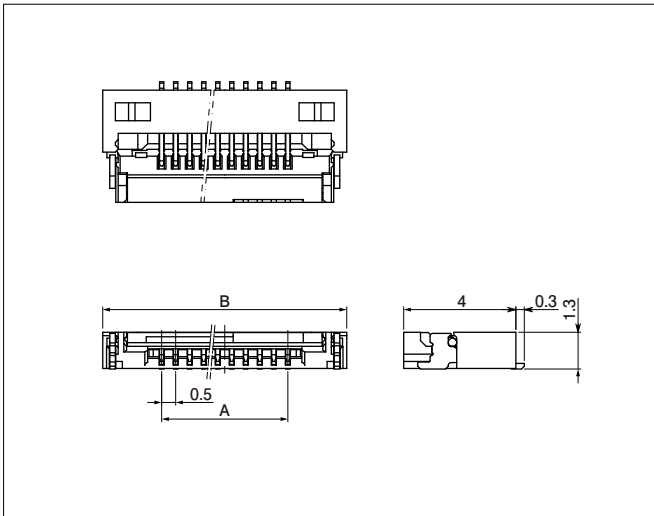
- Metal mask thickness: 100 to 120 μm

Note: 1. The PC board layout figure shown is viewed from the connector mounting surface.

2. Tolerance for the PCB pattern pitch shall be ± 0.05 and shall not accumulate. The above dimensions are for reference only. Please contact JST for further details.

FHY CONNECTOR

Connector



No. of circuits	Model No.	Dimensions (mm)		Q'ty/reel
		A	B	
10	10FHY-RSM1-GAN-TF	4.5	8.7	3,000
12	12FHY-RSM1-GAN-TF	5.5	9.7	3,000
18	18FHY-RSM1-GAN-TF	8.5	12.7	3,000
28	28FHY-RSM1-GAN-TF	13.5	17.7	3,000
30	30FHY-RSM1-GAN-TF	14.5	18.7	3,000
35	35FHY-RSM1-GAN-TF	17.0	21.2	3,000
40	40FHY-RSM1-GAN-TF	19.5	23.7	3,000
50	50FHY-RSM1-GAN-TF	24.5	28.7	3,000
60	60FHY-RSM1-GAN-TF	29.5	33.7	3,000

Material and Surface finish, etc.

Contact: Copper alloy, selective gold-plated
 Socket housing: LCP, natural
 Reinforcement: Copper alloy, tin-plated
 Cover housing: PA (Heat resistance), black

This product is supplied on embossed tape and reel packaging.

Note: 1. Contact JST for tin-plated products.

2. For flame retardant grade of resin material used, please refer to the "List of Registered Overseas Standards" on our website (listed in the "Technical Documents" column on the Product Information page).

Dimensions of FPC lead section

