

The FOX connector for FFC achieves high operability on the automobile assembly process. In addition, locking structure is provided on the FFC side to improve reliability of the connector.

■ Features

● Reliable locking structure

Locking structure is provided on the FFC side to prevent incomplete mating and improve FFC retention force greatly.

● High resistance to scooping (kojiri)

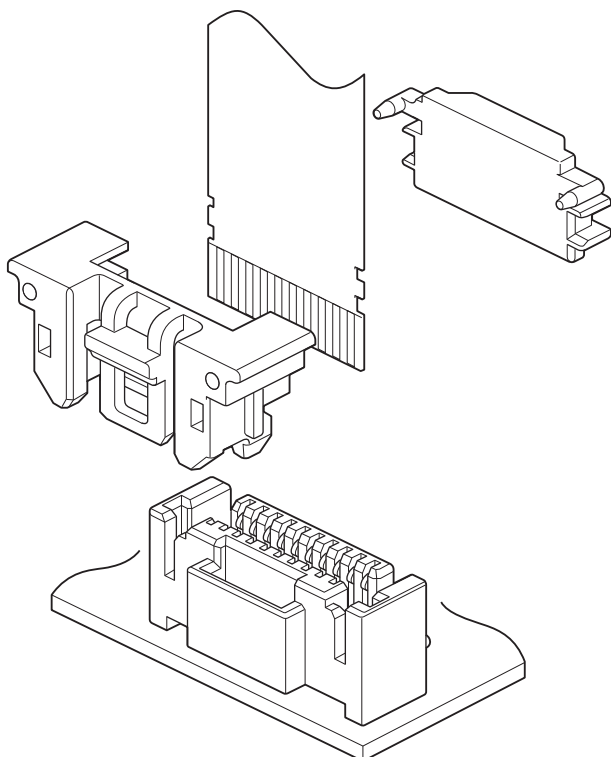
This connector has high resistance to scooping (kojiri) insertion and withdrawal as well as general connectors for automobile by mounting a plug housing and a retainer on the FFC side.

● Temporary board retention feature

The connector can be temporarily held on a printed circuit board by clinching the contact solder tail. It prevents lifting of the connector.

● Two types of connections

This connector is available in top and side entry type depending on its mounting designs.



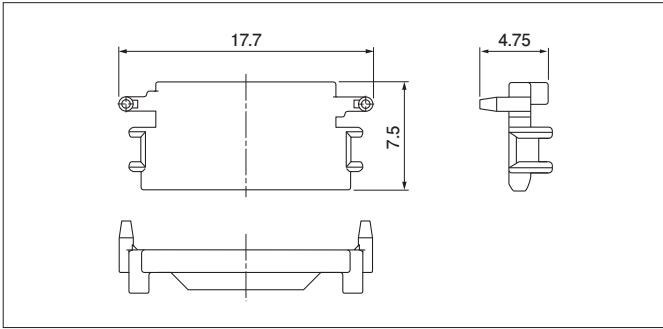
■ Specifications

- Current rating: 1.5A AC, DC
- Voltage rating: 12V AC, DC
- Temperature range: -40°C to +90°C
(including temperature rise in applying electrical current)
- Contact resistance: Initial value/10mΩ max.
After environmental testing/30mΩ max.
- Insulation resistance: 100MΩ min.
- Withstanding voltage: 500V AC/minute
- Applicable FFC: Lead material/Tin-plated annealed copper foil
Lead pitch/1.25mm
Lead width/0.8mm
Mating part thickness/0.3±0.05mm
- Applicable PC board: Thickness/1.6mm
Hole size/0.8±0.1mm (Through-hole)

* Compliant with ELV/RoHS.

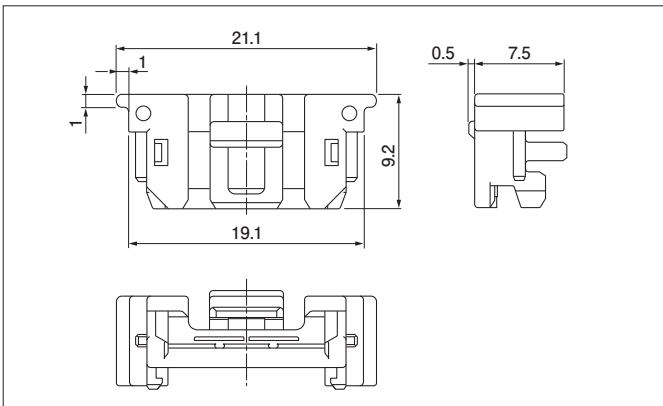
* Contact JST for details.

Plug housing



| Circuits | Model No. | Q'ty/box |
|-------------------------|-----------|----------|
| 10 | FOXP-10K | 500 |
| Material | | |
| Glass-filled PPS, black | | |

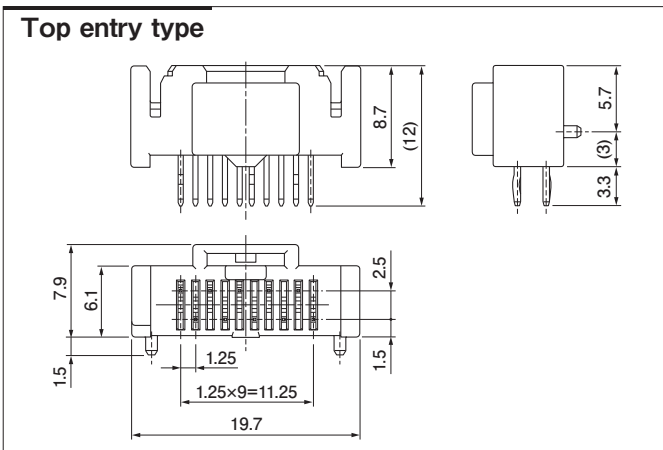
Retainer



| Circuits | Model No. | Q'ty/bag |
|-------------------------|-----------|----------|
| 10 | FOXS-10K | 500 |
| Material | | |
| Glass-filled PPS, black | | |

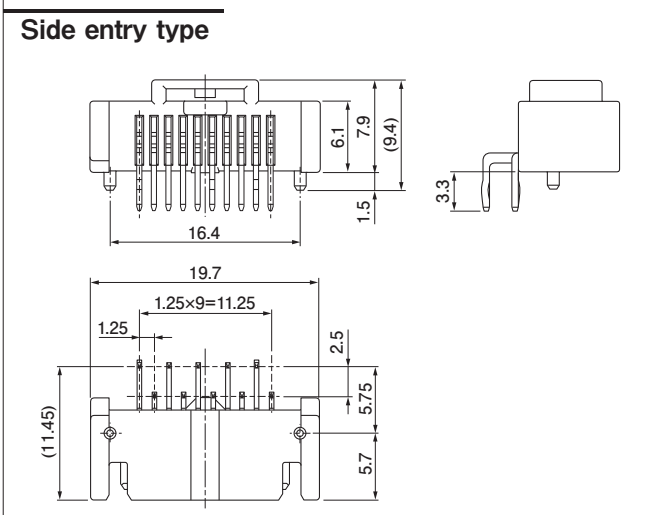
Header

Top entry type



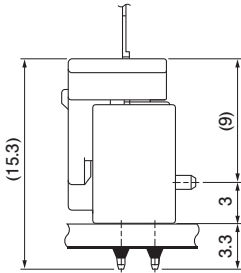
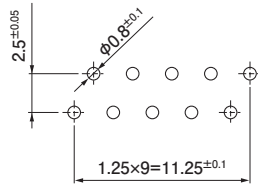
| Circuits | Model No. | | Q'ty/box |
|---|----------------|-----------------|----------|
| | Top entry type | Side entry type | |
| 10 | B10-FOXK-LF | S10-FOXK-LF | 231 |
| Material and Finish | | | |
| Terminal: Copper alloy, copper-undercoated, tin-plated (reflow treatment) Housing: Glass-filled PPS, black | | | |

Side entry type

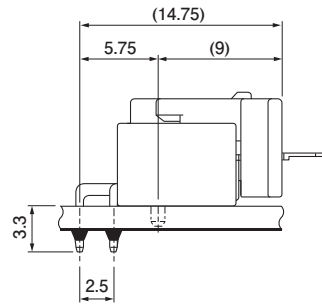
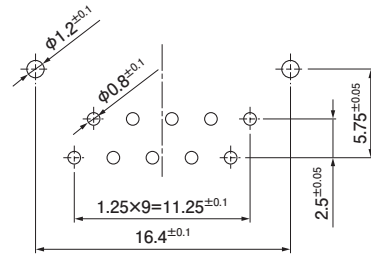


PC board layout, Assembly layout

Top entry type



Side entry type



- Note: 1. Tolerances are non-cumulative: 0.05mm for all centers.
 2. Hole dimensions differ according to the type of PC board and piercing method.
 The dimensions above should serve as guideline. Contact JST for details.

Lead section dimensions of FPC

