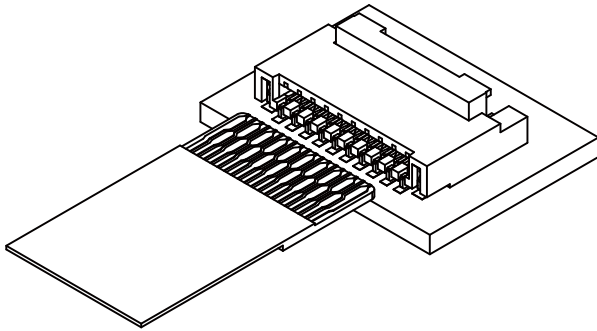


FVR CONNECTOR

0.2 mm pitch/For PC Board/For FPC, ZIF type



This is low profile and space saving type connector for FPC with 0.2 mm pitch, 0.95 mm height, and 3.0 mm depth. Back flip type of double-sided contact improves the freedom for routing of FPC.

■ Features

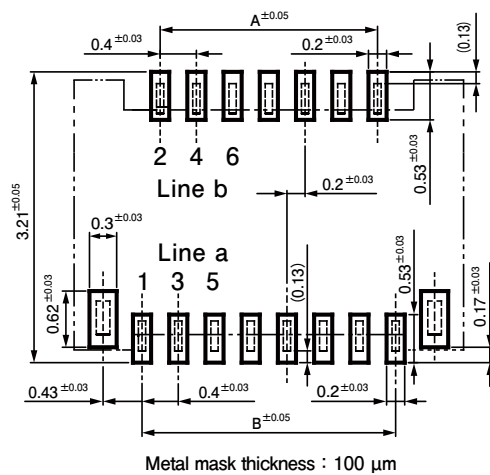
- 0.2 mm pitch space saving connector
- Double-sided contact for easy routing of FPC
- Smooth locking connection by supplying with cover opened
- With reinforcement strong structure
- Environmentally friendly halogen-free product

■ Specifications

- Current rating : 0.2 A AC/DC
 - Voltage rating : 50 V AC/DC
 - Temperature range : -25°C to +85°C
(including temperature rise in applying electrical current)
 - Contact resistance : Initial value/ 120 mΩ max.
After environmental tests/ 60 mΩ max.
(variation from initial value)
 - Insulation resistance : 50 MΩ min.
 - Withstanding voltage : There shall be no breakdown or flashover while applying 200 VAC for one minute.
 - Applicable FPC :
Conductor pitch/ 0.2 mm (0.4 mm pitch staggered)
Thickness of contact area/ 0.2 ± 0.03 mm
- * In using the products, refer to "Handling Precaution for Terminals and Connectors" described on our website (Technical documents of Product information page).
- * RoHS2 compliance
- * Dimensional unit: mm
- * Contact JST for details.

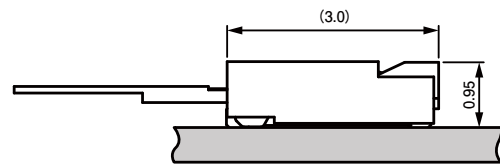
PC board layout and Assembly layout

PC board layout



No. of circuits	Dimensions (mm)	
	A	B
39	7.2	7.6
51	9.6	10.0
61	11.6	12.0
71	13.6	14.0

Assembly layout



Note: 1. PC board layout is the figure viewed from the connector mounting side.

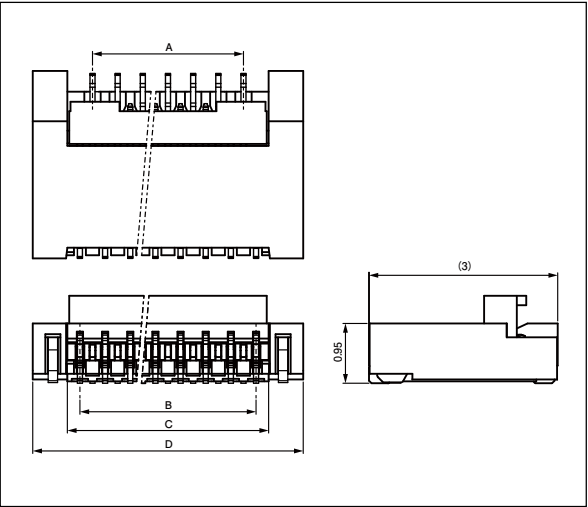
2. Tolerances for the PCB pattern pitch shall be ± 0.03 and shall not accumulate.

Please contact JST for details as the dimensions shown in the above figure are reference values.

3. Contact JST for nitrogen (N2) reflow soldering.

FVR CONNECTOR

Connector



No. of circuits	Model No.	Dimensions (mm)				Q'ty/reel
		A	B	C	D	
39	39FVR-SM1-GAN-TB(HF)	7.2	7.6	8.0	9.1	5,500
51	51FVR-SM1-GAN-TB(HF)	9.6	10.0	10.4	11.5	5,500
61	61FVR-SM1-GAN-TB(HF)	11.6	12.0	12.4	13.5	5,500
71	71FVR-SM1-GAN-TB(HF)	13.6	14.0	14.4	15.5	5,500

Material and Finish

- Contact: Copper alloy, nickel-undercoated, selective gold-plated
- Housing: Heat resisting resin, UL94V-0, (black)
- Cover: Heat resisting resin, UL94-HB (gray)
- Reinforcement: Copper alloy, copper-undercoated, tin-plated

The product listed above is supplied on embossed-tape.

Dimensions of FPC lead section

